



PRODUCT CATALOGUE
JULY, 2023

A WORD FROM THE PRESIDENT

Since 1981, Stelpro has offered its customers unmatched service by visiting them on construction sites, offering them personalized technical support and occasionally repairing their products free of charge. By taking a human approach, we have forged close ties with our partners and become North America's top manufacturer of electric heaters. Not only are we extremely proud to have achieved this status, we are thankful to have earned it by designing, developing and manufacturing our high-quality products right here in Quebec. Our key focus is to guarantee comfort for users in their daily life. We leverage high performance, safety, innovation and unique design to deliver a wide range of comfort solutions... 360° comfort! Finally, we believe that to adapt successfully in times of crisis such as the current pandemic, it is essential to show solidarity and actively support our local economy.



YVES CHABOT
PRESIDENT

We are committed.

We are committed to reinventing the electric heating industry so that choosing a system is no longer an obligation, but a conscientious choice.

We are proud.

We are proud to be the North American leader in comfort solutions that bring together design, performance and innovation to turn your spaces into unique environments.

We are determined.

We are determined to exceed the expectations of our customers and partners to create a world where responsible energy use is everyone's benchmark.

We are Stelpro.







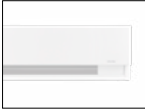
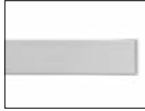





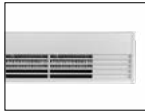








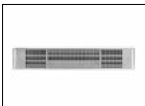

We develop remarkable and innovative comfort solutions.

Welcome to our home.

°STELPRO

TABLE OF CONTENTS

HEATERS

	AMIR – MIRAGE CONVECTOR	10		ASK CEILING FAN HEATER	38
	ASHC CONVECTOR	12		ADR – DRAGON CEILING FAN HEATER	40
	ABA – BELLA HIGH-END ALUMINIUM BASEBOARD	14		ASCH PORTABLE MULTIPURPOSE HEATER	44
	ASPR – PRIMA HIGH-END BASEBOARD	17		AALUX1 – ALUX MINI ARCHITECTURAL ALUMINUM BASEBOARD	46
	AB – BRAVA ELECTRIC BASEBOARD	20		AALUX2 – ALUX MINI ARCHITECTURAL ALUMINUM BASEBOARD	49
	ASOA – OASIS WALL FAN HEATER	24		AALUX3 – ALUX ARCHITECTURAL ALUMINUM BASEBOARD	52
	ASSOS – SONOMA STYLE WALL FAN HEATER	26		AALUX4 – ALUX ARCHITECTURAL ALUMINUM BASEBOARD	55
	ASSO – SONOMA WALL FAN HEATER	28		DBI ALUMINUM DRAFT BARRIER	58
	ASSOH – SONOMA HORIZON WALL FAN HEATER	30		AWFA – ALUX ALUMINUM WALL FAN HEATER	61
	ARWF – PULSAIR WALL FAN HEATER	32		AWF WALL FAN HEATER	64
	SCR – RADIANCE COVE HEATER	34		ACBH CABINET HEATER	68
	ASKS KICK SPACE HEATER	36		ACF CEILING FAN HEATER	72



ASDC **76**
 COMMERCIAL AIR CURTAIN



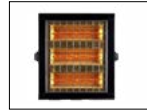
ARUH - OXFORD **78**
 COMMERCIAL AND RESIDENTIAL UNIT HEATER



ASHU - OXFORD **80**
 COMMERCIAL AND INDUSTRIAL UNIT HEATER



SFH - OXFORD **84**
 AGRICULTURAL UNIT HEATER



ASIRH - ZENITH **86**
 INFRARED RADIANT HEATER



SWU **88**
 WASHDOWN UNIT HEATER



EU - X-PRO **91**
 EXPLOSION-PROOF UNIT HEATER



EC - X-PRO **94**
 EXPLOSION-PROOF CONVECTOR

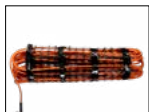
HEATING CABLES



SCU **100**
 UNIVERSAL HEATING CABLE



SECM **102**
 HEATING CABLE ON LATTICE FOR CONCRETE



SSC, SSCM **104**
 SNOW MELTING SYSTEM



PYROBOX **106**
 CONTROL PANELS FOR SNOW MELTING SYSTEMS



SCPT **108**
 CONSTANT WATTAGE PIPE FREEZE PROTECTION HEATING CABLE



SCRG **110**
 CONSTANT WATTAGE ROOF AND GUTTER DE-ICING HEATING CABLE



SSFP **112**
 SELF-REGULATING FREEZE PROTECTION PREASSEMBLED CABLE



SSFR **114**
 SELF-REGULATING FREEZE PROTECTION CABLE REEL

TABLE OF CONTENTS

CONTROLS

	ASAT402ZB – ALLIA 118 ZIGBEE THERMOSTAT FOR CONNECTED HOME		STE241 129 ELECTRONIC THERMOSTAT LOW VOLTAGE / 24 V – SINGLE PROGRAMMING
	SALC0503ZB – ALLIA 119 SMART RESISTIVE LOAD CONTROLLER FOR CONNECTED HOME		TH140-28-01-B 130 ELECTRONIC THERMOSTAT – LINE AND LOW VOLTAGE – 7-DAY PROGRAMMABLE
	STZW402 – KI Z-WAVE 120 ELECTRONIC THERMOSTAT FOR SMART HOME		SWT 131 MECHANICAL THERMOSTAT – LINE VOLTAGE
	STE403NP 121 ELECTRONIC THERMOSTAT – SINGLE PROGRAMMING		T822K1018/U 132 THERMOSTAT – LOW VOLTAGE / 24 V
	ST302P, ST402P 122 ELECTRONIC THERMOSTATS FOR BASEBOARDS AND CONVECTORS – PROGRAMMABLE		T87K1007/U 133 THERMOSTAT – LOW VOLTAGE / 24 V
	ST252NP, ST302NP, ST402NP 123 ELECTRONIC THERMOSTATS FOR BASEBOARDS AND CONVECTORS – NON-PROGRAMMABLE		RE25, RE30 134 ELECTRONIC RELAY – LOW VOLTAGE
	ST402PFF 124 ELECTRONIC THERMOSTAT FOR FAN HEATERS – PROGRAMMABLE		RE15 135 ELECTRONIC RELAY – LOW VOLTAGE – SMALLER-SIZED
	ST252NPFF, ST402NPFF 125 ELECTRONIC THERMOSTAT FOR FAN HEATERS – NON-PROGRAMMABLE		RM 136 ELECTROMECHANICAL RELAY – LOW VOLTAGE
	STCP 126 ELECTRONIC THERMOSTAT FOR HEATING FLOORS – MULTIPLE PROGRAMMING		R841 137 ELECTROMECHANICAL RELAY – LOW VOLTAGE
	STCNP 127 ELECTRONIC THERMOSTAT FOR HEATING FLOORS – SINGLE PROGRAMMING		TG511A1000 138 UNIVERSAL THERMOSTAT GUARD
	STE302R2+ 128 ELECTRONIC DOUBLE POLE THERMOSTAT – SINGLE PROGRAMMING		F29 139 THERMOSTAT GUARD
			FD60M 140 MECHANICAL TIMER

HVAC



SFEX, SFECM – THE FURNACE 142
MODULATING ELECTRIC FURNACES WITH
ELECTRONIC CONTROLS



ASB 154
DUAL ENERGY DUCT HEATER



SDHx, SDHxT 146
CUSTOM DUCT HEATERS



MUAA 156
MAKE-UP AIR UNIT



SDHR 152
ROUND DUCT HEATER



SCV 159
VENTILATION CABINET

HAND DRYERS



ELN – EL-NIÑO 162
HAND DRYER



SHDXL – XLERATOR 165
HAND DRYER

**HAND DRYER
CROSS-REFERENCE TABLE** 168

CUSTOM PROJECTS 170

NOMENCLATURE 171

USEFUL INFORMATION

**COMPATIBILITY OF
THERMOSTATS AND RELAYS** 172

MERCHANDISE RETURNS 177

AMPERAGE CHART 173

WARRANTY POLICY 177

CROSS-REFERENCE TABLE 174

CATEGORIES INDEX 178

USEFUL FORMULAS 176

CERTIFICATIONS 177

HISTORY

The history of Stelpro since its foundation is first and foremost that of a visionary company that has anticipated the market's needs. Over the years, the company has earned the confidence of consumers, professionals and its partners and achieved the enviable status of being the number 1 manufacturer of electric heating appliances in North America. Stelpro continually reinvents the heating industry with its value-added philosophy based on design and technology that transcend the purely functional nature of the devices. It is firmly established in the smart home market with its range of connected products and is laying the groundwork to become a major energy transition player.

1981-1990



KICK-OFF

Employees: from 1 to 30
Square footage: 25,000
Territory covered: Quebec

Armed with an undeniable flair for business, a desire for improvement and a marked desire for innovation, John Chabot founds Chalais Électrik, the company that will later become Stelpro, in Drummondville in 1981. From its early years, the company made its mark in the heating industry by developing and launching innovative products, like the first open element construction heater and the smallest and quietest recessable residential fan heater. The unit in question, the Pulsair/RWF, is still on the market, proving that the company was already at the forefront of its field at this time.

1991-2000



EXPANSION AND ACQUISITION

Employees: 150
Square footage: 46,000
Territory covered: Canada

The 1990s are a time of growth and change. First, the company moves to Boucherville, then in 1994, it acquires its competitor, Stelpro Chauffage Itée, thereby opening the doors to the Canadian market. By the end of the decade, Yves Chabot and his brother, a second generation of entrepreneurs, have joined the company. On the commercial level, the company breaks new ground again with the launch of the Dragon ceiling fan heater.

2001-2004



CONTINUED EXPANSION AND DIVERSIFICATION

Employees: 200
Square footage: 118,000
Territory covered: Canada

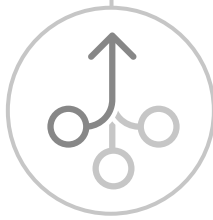
The beginning of the millennium marks a wind of change as the company continues to expand. A new head office and a state-of-the-art plant are built in St-Bruno-de-Montarville, and Chalais Électrik and Stelpro Chauffage merge to become Stelpro Design Inc. With an improved integrated production capacity that makes it the Canadian leader in its category, the new entity launches another phase of development by launching its heating cable division, always with a view to serving its customers well.



2005-2010

2011-2016

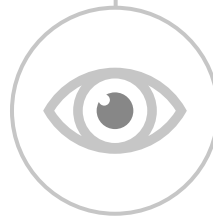
2016-...



CONSOLIDATION

Employees: 310
 Square footage: 198,600
 Territory covered: Canada and emerging onto the U.S. market

The two Chabot brothers take over as company Co-Presidents, consolidate the company's leadership position in Canada and enter the U.S. market. The creation of the Electronic Controls Division and the HVAC Division makes it possible for Stelpro to offer a full range of products that provide heating and control solutions for residential, commercial and institutional needs. These changes do not come at the expense of innovation. The company continues to reinvent the heating industry by launching the B baseboard, which is still a benchmark on the market, the sturdiest in its category and the first baseboard with a built-in electronic thermostat.



NEW VISION

Employees: 430
 Square footage: 216,600
 Territory covered: North America

Yves Chabot becomes the sole president of Stelpro. Now a major player in the North American market, the company revamps its brand image and logo to better reflect its aspirations. "Stelpro, 360 Comfort" offers heating solutions tailored to each specific situation to ensure comfort for all.



GROWTH

Employees: 490
 Square footage: 286,000
 Territory covered: North America

Stelpro, well established as a North American leader, continues its expansion across all its product divisions (heating, cables, HVAC and controls) and sales channels (electrical, HVAC and retail). The company keeps focusing on value-added design and technology to set itself apart and offer its customers still greater added value. Moreover, the launch of the Maestro ecosystem puts the company in an enviable position in the connected home world. Today, Stelpro remains a visionary company with a plan to become a major energy transition player in North America while continuing to create innovative and distinctive comfort solutions.

LET YOURSELF BE INSPIRED

From timeless classics to the latest trends, whether you want to create a relaxing or vibrant environment, Stelpro offers the largest colour assortment on the market. Let your imagination run wild!

STANDARD COLOURS



SPECIAL FINISH



Availability and price depending on models.

ORORA



15% surcharge on list price [25% for Brava (AB) and Prima (ASPR) baseboards]

CUSTOM COLOURS

YOUR HEART IS SET ON ANOTHER COLOUR? WE CAN REPLICATE ANY COLOUR!

Contact customer service to find out more.

* Certain models are offered standard in these colours (ex. ASHU and ASCH Series). In such cases the colour premium and set up charge do not apply.

Stelpro reserves the right to modify description, manufacturing specifications or prices without prior notice. The premium applies to all painted units, no matter if there are different models of units or different colours. For further details on custom colours, whether chart or off-chart, contact your sales representative or customer service. These colours are only reproduced for information purposes. They may differ from the real colours. Some of them are metallic and cannot be accurately reproduced in print. **Returns are not accepted for orders of products with optional colours.** For all the latest models and updated prices, please refer to our website at www.stelpro.com.

Heaters

Our residential, commercial and architectural electric heating products are designed and manufactured in Quebec to create comfortable environments during cold Canadian winters. Our heaters set themselves apart through their design, technology and price. No matter how complex the project, we deliver products tailored to your needs. Merge comfort and design today with Stelpro products.

AMIR – MIRAGE™

CONVECTOR



MIRAGE™

THE MOST DISCREET ON THE MARKET!

The Mirage convector has a unique, modern and discreet look and offers unquestionable efficiency. Available with or without an ultra-precise integrated electronic thermostat and in several voltages, the Mirage is suitable for rooms in homes or businesses. With its simple facade and elegant design, the Mirage blends in with any decor.

- **BLENDS IN WITH ANY DECOR**
- **STURDY ONE-PIECE FRONT PANEL**
- **TOTALLY QUIET**
- **BUILT-IN ELECTRONIC THERMOSTAT (OPTIONAL) WITH BACKLIT SCREEN**
- **ADAPTS TO MULTIPLE MARKETS**
AVAILABLE IN 120 V, 208 V, 240 V, 277 V AND 480 V



BUILT-IN ELECTRONIC THERMOSTAT AVAILABLE FOR THE 120 V TO 240 V MODELS



ALSO AVAILABLE

EASY INSTALLATION WITH 120 V PLUG

IDEAL FOR:

kitchen, living room, bedroom, basement, commercial space, office

COLORS

- **standard:** white, soft white
- **Orora (optional):** refer to www.stelpro.com/en-US/Orora

FINISH

- epoxy-polyester powdercoat

MANUFACTURING

- 20-gauge steel cabinet and front
- the cabinet height improves the chimney effect
- bottom air intake and top air discharge
- 6 ft (2 m) 16 gage molded cable with 3-prong grounded, 120 V plug (AMIR1501P model)

ELEMENTS

- two stainless steel tubular sheathed elements insulated with nylon sleeves reducing expansion and contraction noises

CONTROL

- electronic thermostat required: built-in electronic thermostat with LCD screen (optional) or electronic wall thermostat (not included)
- automatic temperature lowering at night (Automatic mode)
- maximum temperature setpoint lock option (Security mode)

INSTALLATION

- surface mounted only
- wall mounted at least 4 in. from the floor
- concealed mounting bracket (included)
- back entry plate with cable clamps (included)

WARRANTY

- five years, *three years on electronic components

°STELPRO

TECHNICAL SPECIFICATIONS

BUILT-IN THERMOSTAT	WITHOUT THERMOSTAT	POWER		VOLTAGE	HEIGHT	LENGTH	WEIGHT
CODE	CODE	WATTS	BTU/H	VOLTS	IN.	IN.	LB
AMIR0501	AMIR0501WC	500	2048	120	18	17 1/2	11.75
AMIR0508	AMIR0508WC	500	2048	208	18	17 1/2	11.75
AMIR0502	AMIR0502WC	500/375	2048	240/208	18	17 1/2	11.75
---	AMIR0507WC	500	2048	277	18	17 1/2	11.75
AMIR1001	AMIR1001WC	1000	3413	120	18	23 1/2	14.75
AMIR1008	AMIR1008WC	1000	3413	208	18	23 1/2	14.75
AMIR1002	AMIR1002WC	1000/750	3413	240/208	18	23 1/2	14.75
---	AMIR1007WC	1000	3413	277	18	23 1/2	14.75
---	AMIR1005WC	1000	3413	480	18	23 1/2	14.75
AMIR1501	AMIR1501WC	1500	5119	120	18	29 1/2	17.75
AMIR1508	AMIR1508WC	1500	5119	208	18	29 1/2	17.75
AMIR1502	AMIR1502WC	1500/1125	5119	240/208	18	29 1/2	17.75
---	AMIR1507WC	1500	5119	277	18	29 1/2	17.75
---	AMIR1505WC	1500	5119	480	18	29 1/2	17.75
AMIR2008	AMIR2008WC	2000	6825	208	18	35 1/2	20.75
AMIR2002	AMIR2002WC	2000/1500	6825	240/208	18	35 1/2	20.75
---	AMIR2007WC	2000	6825	277	18	35 1/2	20.75
---	AMIR2005WC	2000	6825	480	18	35 1/2	20.75
MODEL WITH 120 V PLUG (RESIDENTIAL OUTLET)							
AMIR1501P*	---	1500	5119	120	18	29 1/2	17.75

Add W for white or SW for soft white (or consult the optional color chart and contact your Stelpro representative for all other colors).

Mechanical wall thermostats are not compatible with the without thermostat model (WC) – electronic thermostat is required.

* Available in white only --- not available

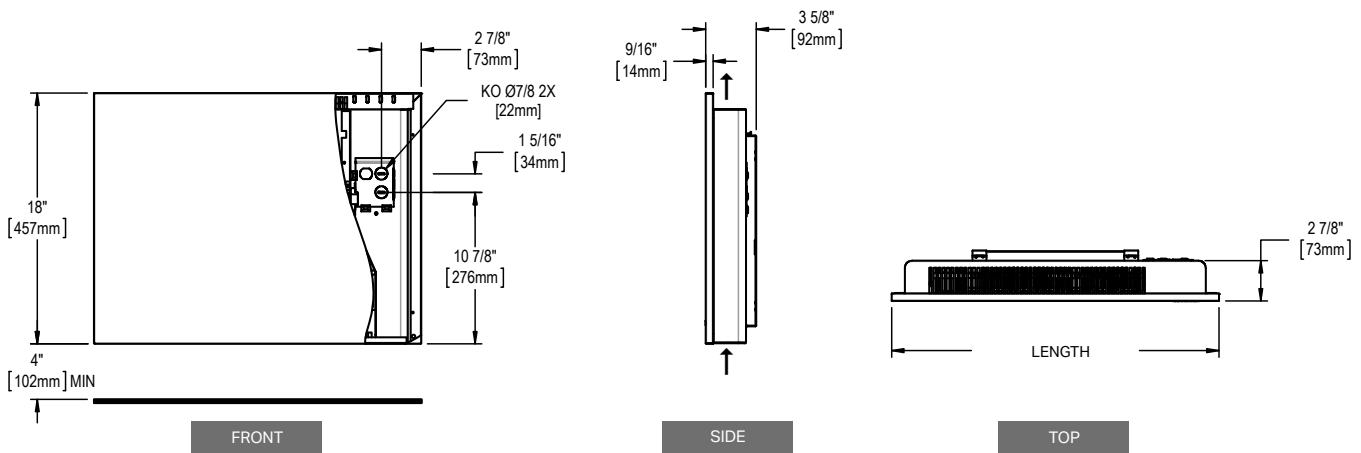
ACCESSORIES

PRODUCT	DESCRIPTION
MIRRE153*	built-in electronic low voltage relay [15 A @ 120 V-347 V]
MIRRE156*	built-in electronic low voltage relay [6 A @ 600 V]
MIRRE153T*	built-in electronic low voltage relay c/w transformer 24 V [15 A @ 208 V-347 V]

Electronic relays can receive a PWM (pulsed width modulation) or digital (on/off) signal.

* Factory installed

TECHNICAL DRAWINGS



ASHC CONVECTOR



EFFICIENT HEATING

Our ASHC convector has pleasing rounded sides and beautiful modern lines. It is available with or without an ultra-accurate built-in electronic thermostat, so you can choose the level of control you want. This attractive unit is available in two colors and many voltages making it suitable for both commercial and residential applications. A real gem!

- **EXCELLENT VALUE**
- **TOTALLY QUIET**
- **BUILT-IN ELECTRONIC THERMOSTAT (OPTIONAL) WITH A BACKLIT SCREEN**
- **ADAPTS TO MULTIPLE MARKETS**
AVAILABLE IN: 120 V, 208 V, 240 V, 277 V AND 480 V

COLORS

- **standard:** white, soft white
- **Orora (optional):** refer to www.stelpro.com/en-US/Orora

FINISH

- epoxy-polyester powdercoat

MANUFACTURING

- 22-gauge steel cabinet and 20-gauge steel front
- the cabinet height improves the chimney effect
- bottom air intake and front air discharge
- 6 ft (2 m) 16 gage molded cable with 3-prong grounded, 120 V plug (ASHC1501P model)

CONTROL

- electronic thermostat required: built-in electronic thermostat with LCD screen (optional) or electronic wall thermostat (not included)

INSTALLATION

- surface mounted only
- wall mounted at least 4 in. from the floor
- concealed mounting bracket (included)
- back entry plate with cable clamps (included)

WARRANTY

- five years, *three years on electronic components

ELEMENTS

- two stainless steel tubular sheathed elements insulated with nylon sleeves to reduce expansion and contraction noises



BUILT-IN ELECTRONIC THERMOSTAT AVAILABLE FOR THE 120 V TO 240 V MODELS



ALSO AVAILABLE

EASY INSTALLATION WITH 120 V PLUG

IDEAL FOR:

kitchen, living room, bedroom, office, basement, commercial space

°STELPRO

TECHNICAL SPECIFICATIONS

BUILT-IN THERMOSTAT	WITHOUT THERMOSTAT	POWER		VOLTAGE	HEIGHT	LENGTH	WEIGHT
		WATTS	BTU/H	VOLTS	IN.	IN.	LB
ASHC0501	ASHC0501WC	500	1706	120	17 9/16	17 5/16	11.2
ASHC0508	ASHC0508WC	500	1706	208	17 9/16	17 5/16	11.2
ASHC0502	ASHC0502WC	500/375	1706	240/208	17 9/16	17 5/16	11.2
---	ASHC0507WC	500	1706	277	17 9/16	17 5/16	11.2
ASHC1001	ASHC1001WC	1000	3413	120	17 9/16	22 7/8	13.3
ASHC1008	ASHC1008WC	1000	3413	208	17 9/16	22 7/8	13.3
ASHC1002	ASHC1002WC	1000/750	3413	240/208	17 9/16	22 7/8	13.3
---	ASHC1007WC	1000	3413	277	17 9/16	22 7/8	13.3
---	ASHC1005WC	1000	3413	480	17 9/16	22 7/8	13.3
ASHC1501	ASHC1501WC	1500	5119	120	17 9/16	28 5/8	15.7
ASHC1508	ASHC1508WC	1500	5119	208	17 9/16	28 5/8	15.7
ASHC1502	ASHC1502WC	1500/1125	5119	240/208	17 9/16	28 5/8	15.7
---	ASHC1507WC	1500	5119	277	17 9/16	28 5/8	15.7
---	ASHC1505WC	1500	5119	480	17 9/16	28 5/8	15.7
ASHC2008	ASHC2008WC	2000	6825	208	17 9/16	35	18.9
ASHC2002	ASHC2002WC	2000/1500	6825	240/208	17 9/16	35	18.9
---	ASHC2007WC	2000	6825	277	17 9/16	35	18.9
---	ASHC2005WC	2000	6825	480	17 9/16	35	18.9
MODEL WITH 120 V PLUG (RESIDENTIAL OUTLET)							
ASHC1501P*	---	1500	5119	120	17 9/16	28 5/8	15.7

Add W for white or SW for soft white (consult the optional colors chart or contact your Stelpro representative for all other colors). Mechanical wall thermostats are not compatible with the without thermostat model (WC) – electronic thermostat is required.

* Available in white only
 --- not available

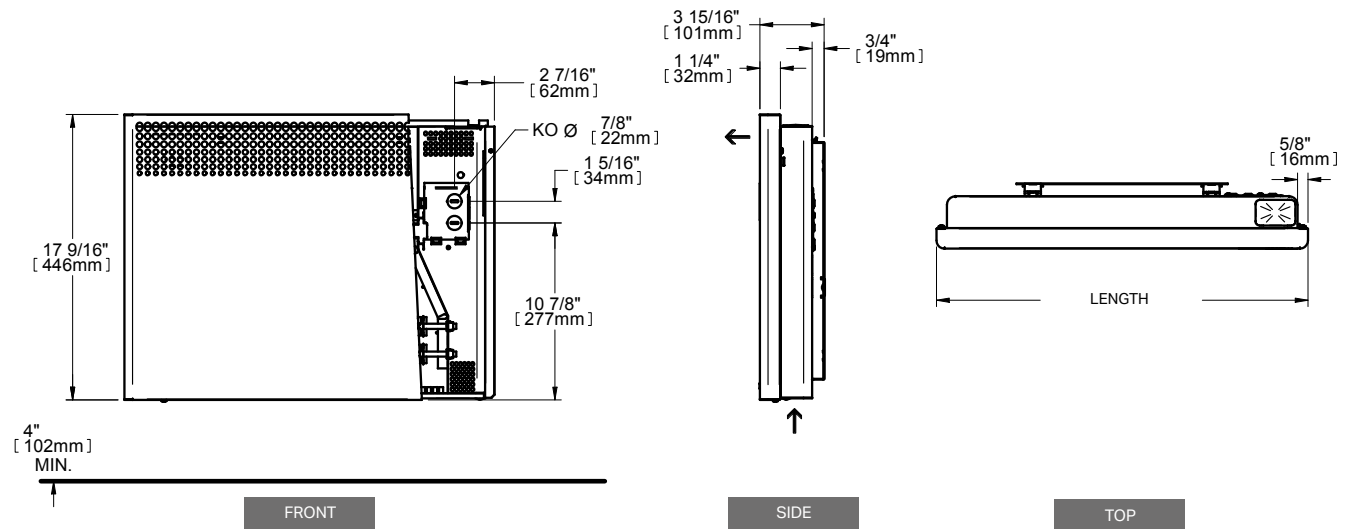
ACCESSORIES

PRODUCT	DESCRIPTION
SHCRE153*	built-in electronic low voltage relay [15 A @ 120 V-347 V]
SHCRE156*	built-in electronic low voltage relay [6 A @ 600 V]
SHCRE153T*	built-in electronic low voltage relay c/w transformer 24 V [15 A @ 208 V-347 V]

Electronic relays can receive a PWM (pulsed width modulation) or digital (on/off) signal.

* Factory installed

TECHNICAL DRAWINGS



ABA – BELLA™

HIGH-END ALUMINIUM BASEBOARD



LA DOLCE VITA WITH BELLA

The high-end Bella baseboard is undoubtedly the most beautiful offered on the market. Its breathtaking design and sturdy aluminum-extruded facade make it the ideal choice for residential and commercial locations. The Bella is available in two densities: 150 W or 250 W per linear foot.

- **CLEAN AND HIGH-END FINISH**
- **EXTREMELY SOLID, IMPACT AND RUST RESISTANT**
MADE OF EXTRUDED ALUMINUM
- **FIT FOR RESIDENTIAL AND COMMERCIAL ENVIRONMENTS**
- **TOTALLY QUIET**

COLORS

- **standard:** white
- **Orora (optional):** refer to www.stelpro.com/en-US/Orora

FINISH

- epoxy-polyester powdercoat

MANUFACTURING

- 22-gauge steel cabinet
- 11-gauge equivalent extruded aluminum with molded and curved end-caps
- discreet air inlet: air enters through the front of the unit and exits from the top
- thermal protection with automatic reset
- full-length wireway

ELEMENT

- single tubular, stainless steel sheathed element with boxed aluminum fins for improved heat dissipation; the element is securely fastened at its centre, floating in nylon sleeves at each end, eliminating expansion and contraction noises

CONTROL

- wall thermostat (not included) – the use of an electronic thermostat is strongly recommended
- built-in mechanical single pole or double pole thermostat, installed in the left or right junction box (optional)
- low voltage relay kit installed in the left or right junction box (optional)
- disconnect switch (optional)

INSTALLATION

- surface mounted
- wiring compartment at both ends of unit

WARRANTY

- five years, *lifetime warranty on the heating element (for original owner)

IDEAL FOR:

kitchen, living room, bedroom, basement, commercial space, office

°STELPRO

TECHNICAL SPECIFICATIONS

DENSITY OF 250 W PER LINEAR FOOT			DENSITY OF 150 W PER LINEAR FOOT			VOLTAGE	TOTAL LENGTH	WALL LENGTH	WEIGHT
FOR COMMERCIAL USE ONLY			FOR RESIDENTIAL AND COMMERCIAL USE						
CODE	WATTS	BTU/H	CODE	WATTS	BTU/H	VOLTS	IN.	IN.	LB
ABA03019	300	1024	---	---	---	120	23 1/2	23	5.5
ABA03089	300	1024	---	---	---	208	23 1/2	23	5.5
ABA03029	300/225	1024/768	---	---	---	240/208	23 1/2	23	5.5
ABA0501	500	1706	ABAL0301	300	1024	120	28 13/16	28 5/16	6.5
ABA0508	500	1706	ABAL0308	300	1024	208	28 13/16	28 5/16	6.5
ABA0502	500/375	1706/1280	ABAL0302	300/225	1024/768	240/208	28 13/16	28 5/16	6.5
ABA0507	500	1706	---	300	1024	277	28 13/16	28 5/16	6.5
ABA0751	750	2560	ABAL0451	450	1536	120	38 1/2	38	8.0
ABA0758	750	2560	ABAL0458	450	1536	208	38 1/2	38	8.0
ABA0752	750/560	2560/1911	ABAL0452	450/340	1536/1160	240/208	38 1/2	38	8.0
ABA0757	750	2560	ABAL0457	450	1536	277	38 1/2	38	8.0
ABA0755	750	2560	---	450	1536	480	38 1/2	38	8.0
ABA1001	1000	3413	ABAL0601	600	2048	120	48 3/8	47 7/8	9.7
ABA1008	1000	3413	ABAL0608	600	2048	208	48 3/8	47 7/8	9.7
ABA1002	1000/750	3413/2560	ABAL0602	600/450	2048/1536	240/208	48 3/8	47 7/8	9.7
ABA1007	1000	3413	ABAL0607	600	2048	277	48 3/8	47 7/8	9.7
ABA1005	1000	3413	---	600	2048	480	48 3/8	47 7/8	9.7
ABA1251	1250	4266	ABAL0751	750	2560	120	58 3/16	57 11/16	11.4
ABA1258	1250	4266	ABAL0758	750	2560	208	58 3/16	57 11/16	11.4
ABA1252	1250/940	4266/3208	ABAL0752	750/560	2560/1911	240/208	58 3/16	57 11/16	11.4
ABA1257	1250	4266	ABAL0757	750	2560	277	58 3/16	57 11/16	11.4
ABA1255	1250	4266	ABAL0755	750	2560	480	58 3/16	57 11/16	11.4
ABA1501	1500	5119	ABAL0901	900	3071	120	67 3/16	66 11/16	13.2
ABA1508	1500	5119	ABAL0908	900	3071	208	67 3/16	66 11/16	13.2
ABA1502	1500/1125	5119/3839	ABAL0902	900/675	3071/2304	240/208	67 3/16	66 11/16	13.2
ABA1507	1500	5119	ABAL0907	900	3071	277	67 3/16	66 11/16	13.2
ABA1505	1500	5119	ABAL0905	900	3071	480	67 3/16	66 11/16	13.2
---	1750	5972	ABAL1051	1050	3583	120	76 7/8	76 3/8	15.0
ABA1758	1750	5972	ABAL1058	1050	3583	208	76 7/8	76 3/8	15.0
ABA1752	1750/1310	5972/4488	ABAL1052	1050/790	3583/2696	240/208	76 7/8	76 3/8	15.0
ABA1757	1750	5972	ABAL1057	1050	3583	277	76 7/8	76 3/8	15.0
ABA1755	1750	5972	ABAL1055	1050	3583	480	76 7/8	76 3/8	15.0
---	2000	6825	ABAL1201	1200	4095	120	84 13/16	84 5/16	16.9
ABA2008	2000	6825	ABAL1208	1200	4095	208	84 13/16	84 5/16	16.9
ABA2002	2000/1500	6825/5119	ABAL1202	1200/900	4095/3071	240/208	84 13/16	84 5/16	16.9
ABA2007	2000	6825	ABAL1207	1200	4095	277	84 13/16	84 5/16	16.9
ABA2005	2000	6825	ABAL1205	1200	4095	480	84 13/16	84 5/16	16.9
ABA2258	2250	7679	ABAL1358	1350	4607	208	94 11/16	94 3/16	18.8
ABA2252	2250/1690	7679/5767	ABAL1352	1350/1010	4607/3447	240/208	94 11/16	94 3/16	18.8
ABA2257	2250	7679	ABAL1357	1350	4607	277	94 11/16	94 3/16	18.8
ABA2255	2250	7679	ABAL1355	1350	4607	480	94 11/16	94 3/16	18.8
ABA2508	2500	8532	ABAL1508	1500	5119	208	103 1/2	103	20.7
ABA2502	2500/1875	8532/6399	ABAL1502	1500/1125	5119/3839	240/208	103 1/2	103	20.7
ABA2507	2500	8532	ABAL1507	1500	5119	277	103 1/2	103	20.7
ABA2505	2500	8532	ABAL1505	1500	5119	480	103 1/2	103	20.7

Add W for white (consult the optional colors chart or contact your Stelpro representative for all other colors).

--- not available

ACCESSORIES

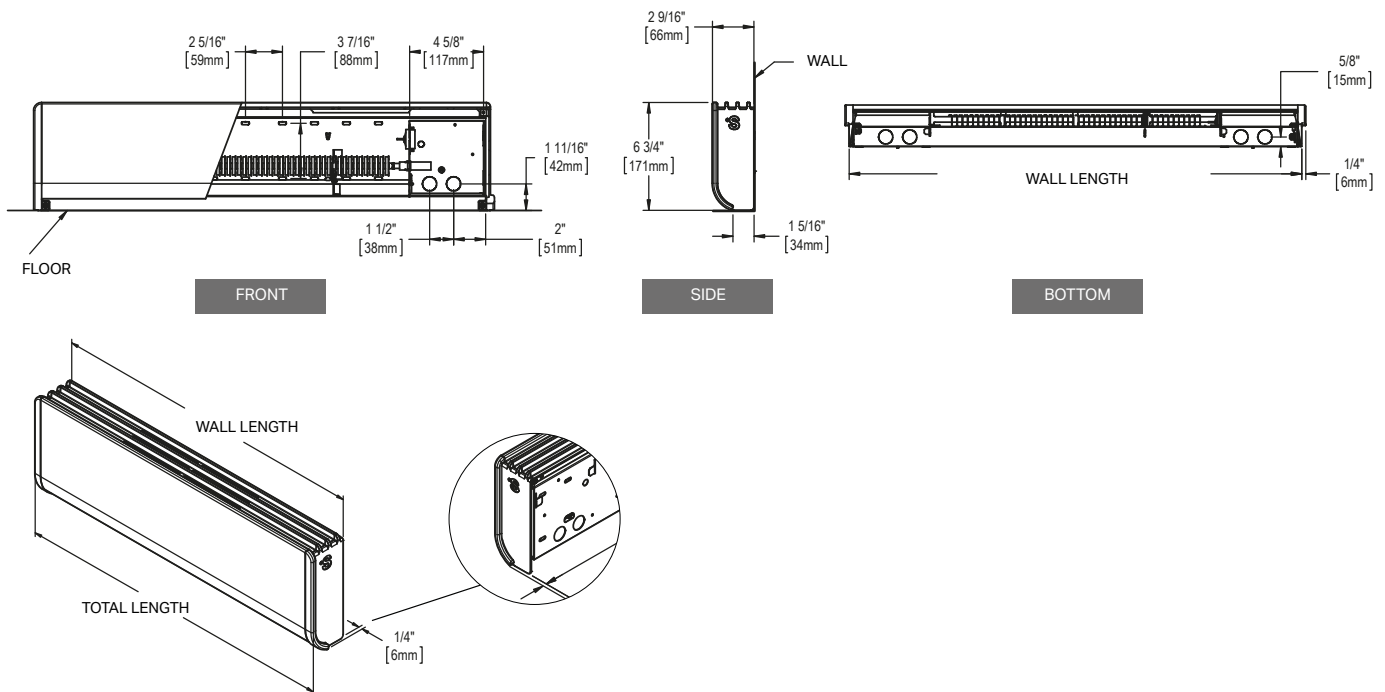
PRODUCT	DESCRIPTION
BA1T1W*	built-in single pole thermostat [120 V-600 V]
BA2T1W*	built-in double pole thermostat [120 V-600 V]
BARE153*	built-in electronic low voltage relay [15 A @ 120 V-347 V]
BARE156*	built-in electronic low voltage relay [6 A @ 600 V]
BARE153T*	built-in electronic low voltage relay c/w transformer 24 V [15 A @ 208 V-347 V]
BARM120T*	built-in electromechanical relay c/w transformer 24 V [3000 W @ 120 V]
BARM240T*	built-in electromechanical relay c/w transformer 24 V [6000 W @ 240 V and 5200 W @ 208 V]
BARM347T*	built-in electromechanical relay c/w transformer 24 V [6000 W @ 347 V]
BARM347C*	built-in electromechanical relay w/o transformer 24 V [6000 W @ 120-347 V]
BAR841D1036*	built-in electromechanical low voltage relay w/o transformer 24 V [6000 W @ 600 V]
BADIS*	disconnect switch [up to 277 V max 15 A]
BADIS6*	disconnect switch [600 V]

Electronic relays can receive a PWM (pulsed width modulation) or digital (on/off) signal.

* Factory installed

* Factory installation is strongly recommended

TECHNICAL DRAWINGS



ASPR – PRIMA™

HIGH-END BASEBOARD



PRIMA™



ELEGANCE, DISCRETION AND EFFICIENCY

The Prima electric baseboard has a distinctive compact format that adapts to various applications without compromising on performance. Thanks to its safe and innovative housing design with concealed elements, it's easy to clean and maintain. Sleek and elegant, Prima adds a modern touch to any room.

- **SAFER HOUSING**
1/4 IN (6 MM) OPENINGS BLOCK ACCESS TO ELEMENTS
- **IMPACT RESISTANT**
REINFORCED FRONT PANEL
- **FAST AND EASY INSTALLATION**
GUIDE MARKS TO FACILITATE MOUNTING TO WALL
- **EASY TO CLEAN**
TWO-CLICK REMOVABLE FRONT PANEL

COLORS

- **standard:** white
- **ORORA (optional):** refer to www.stelpro.com/en-US/orora

FINISH

- epoxy-polyester powdercoat

MANUFACTURING

- 22-gauge annealed galvanized steel housing and 20-gauge one-piece front panel that can support 99.8 kg (220 lbs) at the centre
- full-length thermal protection with automatic reset
- discreet air inlet; air exits from the top for maximum air circulation
- full-length wireway

ELEMENT

- single tubular, stainless steel sheathed element with boxed aluminum fins for improved heat dissipation; the element is securely fastened at its centre, floating in nylon sleeves at each end, eliminating expansion and contraction noises during heat cycles

CONTROL

- wall thermostat (not included) – use of a Stelpro electronic thermostat is strongly recommended
- built-in single pole electronic thermostat that can be installed in the right or left junction box (optional)
- low voltage relay kit and disconnect switch (optional)

INSTALLATION

- surface mounted
- connection compartment at each end
- BX and clamp knockouts for the NMD cables located at each end, at the back and under the unit
- oblong mounting holes at 1-inch intervals (top and bottom) and marks every 8 inches to locate studs

WARRANTY

- five years, *three years on electronic components and lifetime warranty on heating element (for original owner)



ULTRA PRECISE ELECTRONIC THERMOSTAT (OPTIONAL)

IDEAL FOR:

living room, dining room, kitchen, bedroom, office

°STELPRO

Stelpro reserves the right to modify descriptions, manufacturing specifications or prices without prior notice. No returns accepted on optional-color products. For all the latest models and prices, please refer to our website at www.stelpro.com.



FC_SPR_US_230623

TECHNICAL SPECIFICATIONS

FOR RESIDENTIAL USE

275 W DENSITY PER LINEAR FOOT*			225 W DENSITY PER LINEAR FOOT*			VOLTAGE	TOTAL LENGTH	WALL LENGTH	WEIGHT
CODE	WATTS	BTU/H	CODE	WATTS	BTU/H	VOLTS	IN.	IN.	LB
ASPRM0371	375	1280	---	---	---	120	22 1/4	21 7/8	5.7
ASPRM0378	375	1280	---	---	---	208	22 1/4	21 7/8	5.7
ASPRM0372	375/280	1280/956	---	---	---	240/208	22 1/4	21 7/8	5.7
ASPRM0377	375/280/210	1280/956/717	---	---	---	277/240/208	22 1/4	21 7/8	5.7
ASPRM0751	750	2560	ASPRL0501	500	1706	120	36 1/16	35 11/16	7.7
ASPRM0758	750	2560	ASPRL0508	500	1706	208	36 1/16	35 11/16	7.7
ASPRM0752	750/560	2560/1911	ASPRL0502	500/375	1706/1280	240/208	36 1/16	35 11/16	7.7
ASPRM0757	750/560/420	2560/1911/1433	ASPRL0507	500/375/280	1706/1280/956	277/240/208	36 1/16	35 11/16	7.7
ASPRM1251	1250	4266	ASPRL1001	1000	3413	120	49 7/8	49 1/2	9.7
ASPRM1258	1250	4266	ASPRL1008	1000	3413	208	49 7/8	49 1/2	9.7
ASPRM1252	1250/940	4266/3208	ASPRL1002	1000/750	3413/2560	240/208	49 7/8	49 1/2	9.7
ASPRM1257	1250/940/700	4266/3208/2389	ASPRL1007	1000/750/560	3413/2560/1911	277/240/208	49 7/8	49 1/2	9.7
---	---	---	ASPRL1501	1500	5119	120	63 11/16	63 5/16	11.7
ASPRM1758	1750	5972	ASPRL1508	1500	5119	208	63 11/16	63 5/16	11.7
ASPRM1752	1750/1310	5972/4488	ASPRL1502	1500/1125	5119/3839	240/208	63 11/16	63 5/16	11.7
ASPRM1757	1750/1310/985	5972/4488/3362	ASPRL1507	1500/1125/840	5119/3839/3839	277/240/208	63 11/16	63 5/16	11.7

Add W for white (consult the optional colors chart or contact your Stelpro representative for all other colors).

*Densities are averages. --- not available

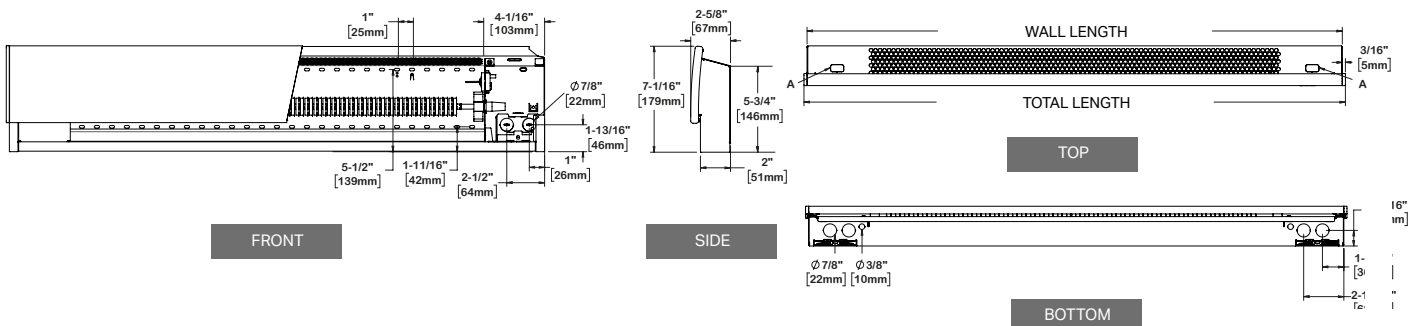
ACCESSORIES

PRODUCT	DESCRIPTION
SIBTE12F	built-in electronic thermostat – Fahrenheit [120 V-240 V]
SIBTE13F	built-in electronic thermostat – Fahrenheit [277 V-347 V]
SPRRE153*	built-in electronic low voltage relay [15 A @ 120 V-347 V]
SPRRE153T*	built-in electronic low voltage relay with 24 V transformer [15 A @ 208 V-347 V]
SPRRM120T*	built-in electromechanical relay with 24 V transformer [6000 W @ 120 V]
SPRRM240T*	built-in electromechanical relay with 24 V transformer [6000 W @ 240 V and 5200 W @ 208 V]
SPRRM277T*	built-in electromechanical relay with 24 V transformer [6000 W @ 277 V]
SPRRM347C*	built-in electromechanical relay without 24 V transformer [6000 W @ 120 V-347 V]
SPRDIS600*	disconnect switch [120V -600V] 30A

Electronic relays can receive a PWM (pulsed width modulation) or all-or-nothing (on/off) signal.

*Factory installation only

TECHNICAL DRAWINGS



A = LOCATION OF BUILT-IN THERMOSTAT (OPTIONAL)



DISCOVER OUR RANGE OF COLORS



TURQUOISE



MOSS GREEN



RED



DENIM BLUE



CHARCOAL



ORANGE

All optional colors: www.stelpro.com/en-US/Orora



AB – BRAVA®

ELECTRIC BASEBOARD



BRAVA®



THE REFERENCE ON THE MARKET

The AB baseboard's reputation is well established. It's simply the most recognized and sought-after baseboard on the market. Now known as the Brava, this strong and durable baseboard stands out thanks to its rounded corners and unique, no-end-cap, one-piece design.

- **ROUNDED CORNERS**
- **QUICK AND EASY INSTALLATION**
- **STRONG CABINET**
ONE-PIECE CONSTRUCTION
- **MAY BE CONTROLLED BY A BUILT-IN OR WALL THERMOSTAT**

COLORS

- **standard:** white, soft white
- **Orora (optional):** refer to www.stelpro.com/en-US/orora

FINISH

- epoxy-polyester powdercoat

MANUFACTURING

- 22-gauge steel casing able to support 75 kg (165 lb) at its centre
- full-length thermal protection with automatic reset
- cabinet designed to ensure optimal hot air distribution
- full-length wireway

ELEMENT

- single tubular, stainless steel sheathed element with boxed aluminum fins for improved heat dissipation; the element is securely fastened at its centre, floating in nylon sleeves at each end, eliminating expansion and contraction noises

CONTROL

- built-in thermostat installed in the left or right junction box (optional)
- single pole electronic thermostat installed in the left or right junction box (optional)
- wall thermostat (not included) – the use of an electronic thermostat is strongly recommended
- low voltage relay kit installed in the left junction box only (optional)

INSTALLATION

- surface mounted
- knockouts for the BX and clamps for the NMD cables located at each end
- mounting holes spaced at 1-inch intervals along the top and the bottom of the unit

WARRANTY

- five years. *three years on electronic components and lifetime warranty on heating element (for original owner)

IDEAL FOR:

kitchen, living room, bedroom, office, basement, commercial space

°STELPRO

TECHNICAL SPECIFICATIONS

DENSITY OF 250 W PER LINEAR FOOT	POWER		VOLTAGE	LENGTH	WEIGHT
	WATTS	BTU/H	VOLTS	IN.	LB
CODE					
AB0301	300	1024	120	19 7/8	4.3
AB0308	300	1024	208	19 7/8	4.3
AB0302	300/225	1024/768	240/208	19 7/8	4.3
AB03019	300	1024	120	22	4.3
AB03089	300	1024	208	22	4.3
AB03029	300/225	1024/768	240/208	22	4.3
AB0501	500	1706	120	27 7/8	7
AB0508	500	1706	208	27 7/8	7
AB0502	500/375	1706/1280	240/208	27 7/8	7
AB0507	500/375/280	1706/1280/956	277/240/208	27 7/8	7
AB0751	750	2560	120	37 5/8	9
AB0758	750	2560	208	37 5/8	9
AB0752	750/560	2560/1911	240/208	37 5/8	9
AB0757	750/560/425	2560/1911/1450	277/240/208	37 5/8	9
AB41001	1000	3413	120	48	11
AB41008	1000	3413	208	48	11
AB41002	1000/750	3413/2560	240/208	48	11
AB41007	1000/750/565	3413/2560/1928	277/240/208	48	11
AB51251	1250	4266	120	60	14
AB51258	1250	4266	208	60	14
AB51252	1250/940	4266/3208	240/208	60	14
AB51257	1250/940/705	4266/3208/2406	277/240/208	60	14
AB61501	1500	5119	120	72	16
AB61508	1500	5119	208	72	16
AB61502	1500/1125	5119/3839	240/208	72	16
AB61507	1500/1125/845	5119/3839/2884	277/240/208	72	16
AB1758	1750	5972	208	76	18
AB1752	1750/1315	5972/4488	240/208	76	18
AB1757	1750/1300/985	5972/4437/3361	277/240/208	76	18
AB82008	2000	6825	208	96	20
AB82002	2000/1500	6825/5119	240/208	96	20
AB82007	2000/1500/1125	6825/5119/3839	277/240/208	96	20
AB82258	2250	7679	208	96	22
AB82252	2250/1690	7679/5767	240/208	96	22
AB82257	2250/1690/1265	7679/5767/4317	277/240/208	96	22
AB2508	2500	8532	208	102 5/8	24
AB2502	2500/1875	8532/6399	240/208	102 5/8	24
AB2507	2500/1875/1405	8532/6399/4795	277/240/208	102 5/8	24

Add W for white or SW for soft white (consult the optional colors chart or contact your Stelpro representative for all other colors).

Add HA for the high altitude version

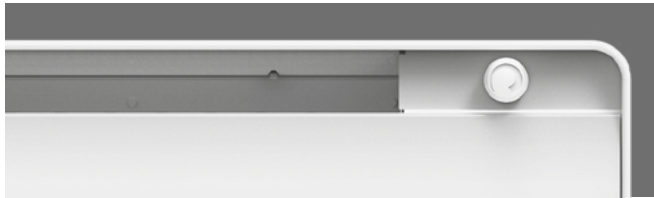
Please note that the width of the units may vary by more or less 1/16 in.

480 V available upon request

BUILT-IN THERMOSTATS



SIBTE - ELECTRONIC



SIBTx - MECHANICAL



ACCESSORIES

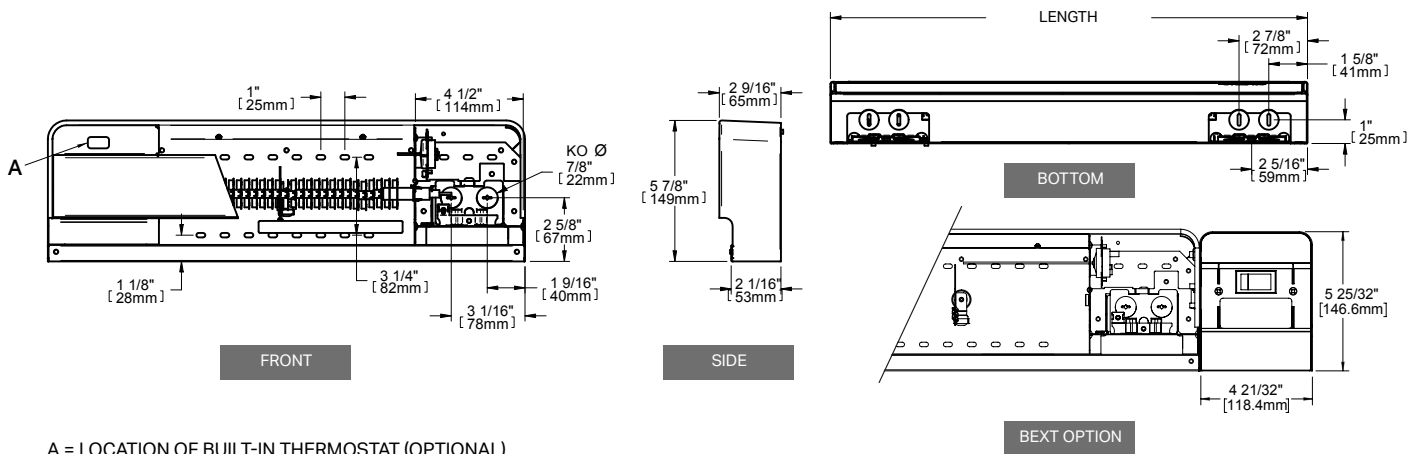
PRODUCT	DESCRIPTION
SIBTE12F	built-in electronic thermostat – Fahrenheit [120 V-240 V]
SIBTE13F	built-in electronic thermostat – Fahrenheit [277 V-347 V]
SIBT1*	built-in single pole thermostat [120 V-600 V]
SIBT2*	built-in double pole thermostat [120 V-600 V]
SIBT2TP*	built-in tamper-proof double pole thermostat [120 V-600 V]
BRE153*	built-in electronic low voltage relay [15 A @ 120 V-347 V]
BRE156*	built-in electronic low voltage relay [6 A @ 600 V]
BRE153T*	built-in electronic low voltage relay c/w transformer 24 V [15 A @ 208 V-347 V]
BDIS277**	disconnect switch [20 A @ 120 V-277 V]
BEXT**	extension (4 3/4 in.) to use with three integrated controls
BP*	spray paint white or soft white

Electronic relays can receive a PWM (pulsed width modulation) or digital (on/off) signal.

* Add W for white or SW for soft white

** Factory installation

TECHNICAL DRAWINGS



A = LOCATION OF BUILT-IN THERMOSTAT (OPTIONAL)



ASOA – OASIS™

WALL FAN HEATER



oasis®

GRANDS
PRIX
DU DESIGN



MAKE YOUR BATHROOM AN OASIS OF PEACE AND TRANQUILITY

The quiet and discreet Oasis bathroom fan heater provides all the comfort you need. It features a highly accurate electronic thermostat and optimal heat output, so you can easily and rapidly control the comfort-level of your rooms. Also offered without a thermostat, it's the perfect little device to heat small rooms like vestibules or hallways. In addition, its refined look and high-performance polymer finish blend in with any decor.

- **ULTRA-QUIET FAN HEATER**
- **HEAT "BOOST" MODE**
FAST TEMPERATURE INCREASE
(1000 W TO 2000 W) †
- **FEATURING HIGH-PERFORMANCE
POLYMER AND SATIN-FINISH
PAINTED STEEL**
- **OPTIONAL BUILT-IN
ELECTRONIC THERMOSTAT**

COLOR

- white

FINISH

- epoxy-polyester powdercoat

MANUFACTURING

- high performance polymer cabinet and front edges, 20-gauge satin-finish steel front
- centrifugal fan that ensures a quiet and efficient airflow
- thermal protections with manual reset
- top front air intake and bottom front air discharge
- 6 ft (2 m) 16 gage molded cable with 3-prong grounded, 120 V plug (ASOA1501PW model)

ELEMENT

- high-quality nichrome element that generates instant heat

CONTROL

MODEL WITHOUT A THERMOSTAT:

- an electronic wall thermostat is recommended

MODEL WITH A BUILT-IN THERMOSTAT:

- built-in electronic thermostat
- 1000 W to maintain temperature setpoint
- 2000 W when "boost" mode is activated (with a timer)
- drastic temperature drop detection (open window function)

INSTALLATION

- recessed or surface mounted – surface adapter not required
- on the wall, a minimum of 6 in. from the floor
- front easy to install with only one mounting screw
- power switch selector – 1000 W or 2000 W (model without a thermostat only)

WARRANTY

- five years, *three years on electronic components

† 9°F temperature rise within five minutes. (Tests performed with the 2000 W model in a 70 ft² room.)



ALSO AVAILABLE

**EASY INSTALLATION
WITH 120 V PLUG**

IDEAL FOR:

bathroom, entrance, vestibule, hallway, living space

°**STELPRO**

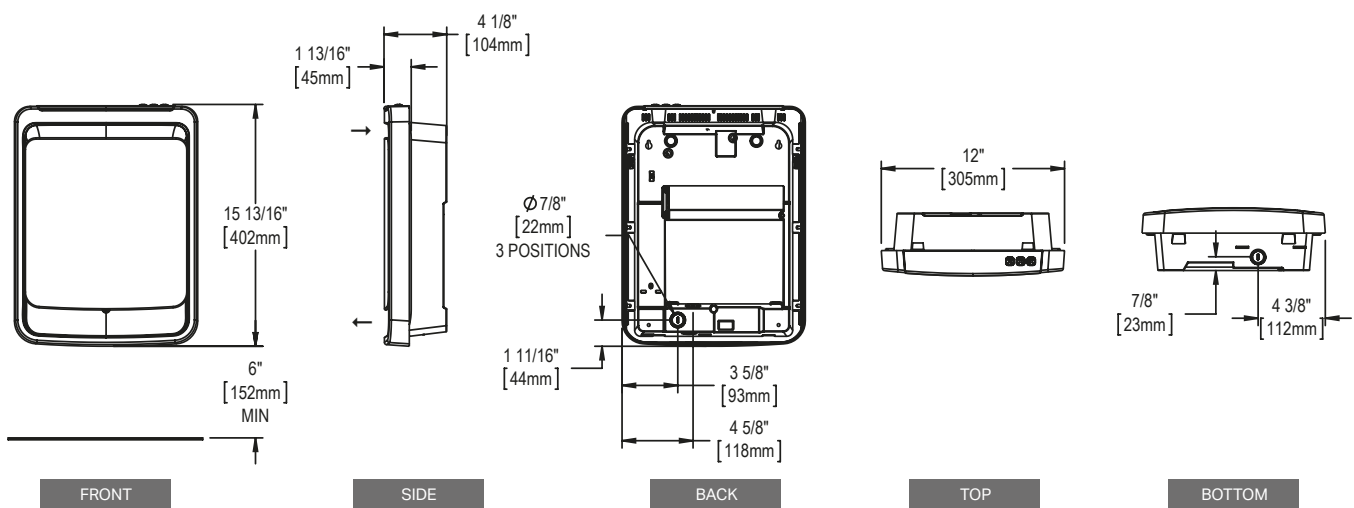


TECHNICAL SPECIFICATIONS

PRODUCT	WITH THERMOSTAT				WITHOUT THERMOSTAT		VOLTAGE	HEIGHT	LENGTH	WEIGHT
	HEATING		HEAT "BOOST" MODE		WATTS	BTU/H				
CODE	WATTS	BTU/H	WATTS	BTU/H	WATTS	BTU/H	VOLTS	IN.	IN.	LB
ASOA1501W	1000	3413	1500	5119	---	---	120	15 13/16	12	7.9
ASOA1501WCW	---	---	---	---	1500	5119	120	15 13/16	12	7.9
ASOA2002W	1000/750	3413/2560	2000/1500	6825/5119	---	---	240/208	15 13/16	12	7.9
ASOA2002WCW	---	---	---	---	2000/1500 or 1000/750*	6825/5119 or 3413/2560*	240/208	15 13/16	12	7.9
MODEL WITH 120 V PLUG (RESIDENTIAL OUTLET)										
ASOA1501PW	1000	3413	1500	5119	---	---	120	15 13/16	12	7.9

* Selected when installed with a power switch.

TECHNICAL DRAWINGS



Stelpro reserves the right to modify descriptions, manufacturing specifications or prices without prior notice. No returns accepted on optional-color products. For all the latest models and prices, please refer to our website at www.stelpro.com.

ASSOS⁺ – SONOMA[™] STYLE

WALL FAN HEATER



SONOMA[™] STYLE



ADD STYLE TO YOUR COMFORT

The Sonoma Style wall fan heater will add a touch of style to your heating with its sleek design, minimalist front cover and state-of-the-art, integrated, electronic thermostat. This quiet but fast heating solution is perfect for any room. With the same footprint as most popular models, the Sonoma Style offers easy one-screw cover installation. Its impact-resistant facade makes it a safe and sustainable choice. Designed with the user experience in mind, the Sonoma Style fan heater provides optimal comfort to any room.

■ INNOVATIVE AND UNIQUE DESIGN

ADDS STYLE TO ANY DECOR
HIGHLY SECURE FACADE

■ QUIET FAN

■ COMPACT

FIT ANYWHERE, PERFECT
FOR SMALL SPACES

■ INTEGRATED, ELECTRONIC THERMOSTAT AVAILABLE

■ QUICK AND EASY INSTALLATION EASILY RETROFITS MOST POPULAR MODELS

■ FAST COMFORT

RAPID TEMPERATURE RISE

COLOR

- white

FINISH

- epoxy-polyester powdercoat

MANUFACTURING

- 22-gauge steel cabinet and 20-gauge steel facade
- thermal protection with manual reset
- additional thermal protection with a thermal fuse (must be replaced if triggered)

ELEMENT

- nichrome element produces instant heat

CONTROL

- built-in electronic thermostat (optional)
- wall thermostat (not included) – the use of an electronic thermostat is strongly recommended

INSTALLATION

- recessed
- wall mounted with surface adapter (optional)

WARRANTY

- five years, *three years on electronic components

IDEAL FOR:

bedroom, living room, kitchen, hallway, bathroom



TECHNICAL SPECIFICATIONS

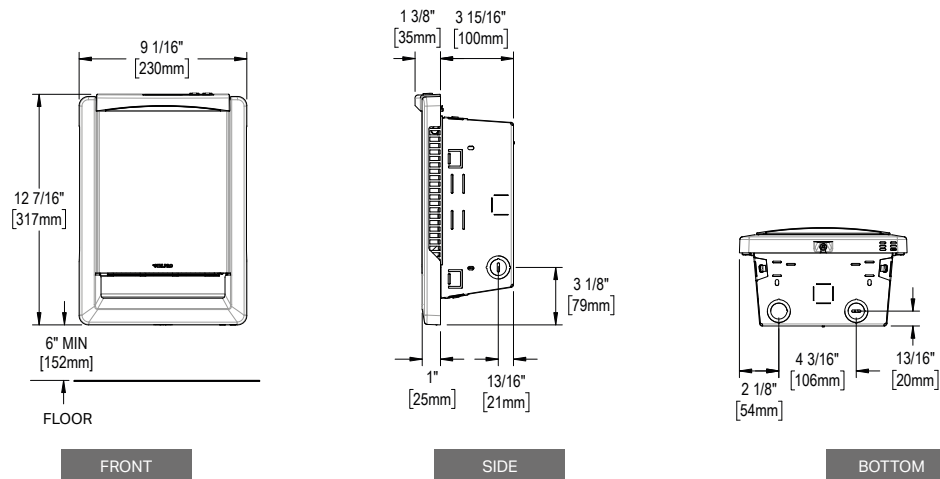
WITHOUT CONTROL			BUILT-IN ELECTRONIC THERMOSTAT			VOLTAGE	HEIGHT	LENGTH	WEIGHT
CODE	WATTS*	BTU/H	CODE	WATTS	BTU/H	VOLTS	IN.	IN.	LB
ASSOS1001WCW	1000 or 500	3413 or 1706	ASSOS1001W	1000	3413	120	12 7/16	9 1/16	7.2
ASSOS1008WCW	1000 or 500	3413 or 1706	ASSOS1008W	1000	3413	208	12 7/16	9 1/16	7.2
ASSOS1002WCW	1000/750 or 500/375	3413/2560 or 1706/1280	ASSOS1002W	1000/750	3413/2560	240/208	12 7/16	9 1/16	7.2
ASSOS1501WCW	1500 or 750	5119 or 2560	ASSOS1501W	1500	5119	120	12 7/16	9 1/16	7.2
ASSOS1508WCW	1500 or 750	5119 or 2560	ASSOS1508W	1500	5119	208	12 7/16	9 1/16	7.2
ASSOS1502WCW	1500/1125 or 750/560	5119/3839 or 2560/1911	ASSOS1502W	1500/1125	5119/3839	240/208	12 7/16	9 1/16	7.2

Add WBB for unit without back box (available for U.S. market only).
 *Choice of power at installation for models without control only

ACCESSORIES

PRODUCT	DESCRIPTION
ASSOBB6	back box (6)
ASSOSAW	surface adapter (white)

TECHNICAL DRAWINGS



ASSO – SONOMA™

WALL FAN HEATER



SONOMA™



THE NEW STANDARD IN FAN HEATERS

The Sonoma fan heater is the new standard for those who need a quiet but fast heating solution. With the same footprint as most popular models, the Sonoma offers easy one-screw cover installation. Its impact-resistant facade makes it a safe and sustainable choice. Ideal for your bathroom, the integrated timer provides the warmth you want right when you need it most. Designed with the user experience in mind, the Sonoma fan heater provides optimal comfort to any room.

■ **QUICK AND EASY INSTALLATION**
EASILY RETROFITS MOST POPULAR MODELS

■ **QUIET FAN**

■ **IMPACT-RESISTANT FACADE WITH UNIQUE DESIGN**

■ **COMPACT**
FIT ANYWHERE, PERFECT FOR SMALL SPACES

■ **DESIGNED WITH THE USER EXPERIENCE IN MIND**
CONTROLS LOCATED AT THE TOP OF THE UNIT

■ **OPTIMAL SAFETY**
INTEGRATED THERMAL CUTOFF

■ **FAST COMFORT**
RAPID TEMPERATURE RISE

COLOR

- white

FINISH

- epoxy-polyester powdercoat

MANUFACTURING

- 22-gauge steel cabinet and 20-gauge steel grille
- thermal protection with manual reset
- additional thermal protection with a thermal fuse (must be replaced if triggered)

ELEMENT

- nichrome element produces instant heat

CONTROL

- built-in thermostat (optional)
- built-in timer (optional)
- wall thermostat (not included) – the use of an electronic thermostat is strongly recommended

INSTALLATION

- recessed
- wall mounted with surface adapter (optional)

WARRANTY

- five years

IDEAL FOR:

living room, kitchen, hallway, bedroom, bathroom (model with timer and thermostat), lobby, office

°STELPRO



TECHNICAL SPECIFICATIONS

WITHOUT THERMOSTAT	BUILT-IN THERMOSTAT	BUILT-IN THERMOSTAT AND TIMER	VOLTAGE	POWER*		HEIGHT	LENGTH	WEIGHT
CODE	CODE	CODE	VOLTS	WATTS	BTU/H	IN.	IN.	LB
ASSO1001WCW	ASSO1001T2W	ASSO1001T2TW	120	1000 or 500	3413 or 1706	12 3/8	9 1/16	7.4
ASSO1008WCW	ASSO1008T2W	ASSO1008T2TW	208	1000 or 500	3413 or 1706	12 3/8	9 1/16	7.4
ASSO1002WCW	ASSO1002T2W	ASSO1002T2TW	240/208	1000/750 or 500/375	3413/2560 or 1706/1280	12 3/8	9 1/16	7.4
ASSO1501WCW	ASSO1501T2W	ASSO1501T2TW	120	1500 or 750	5119 or 2560	12 3/8	9 1/16	7.4
ASSO1502WCW	ASSO1502T2W	ASSO1502T2TW	240/208	1500/1125 or 750/560	5119/3839 or 2560/1911	12 3/8	9 1/16	7.4
ASSO2008WCW	ASSO2008T2W	ASSO2008T2TW	208	2000 or 1000	6825 or 3413	12 3/8	9 1/16	7.4
ASSO2002WCW	ASSO2002T2W	ASSO2002T2TW	240/208	2000/1500 or 1000/750	6825/5119 or 3413/2560	12 3/8	9 1/16	7.4

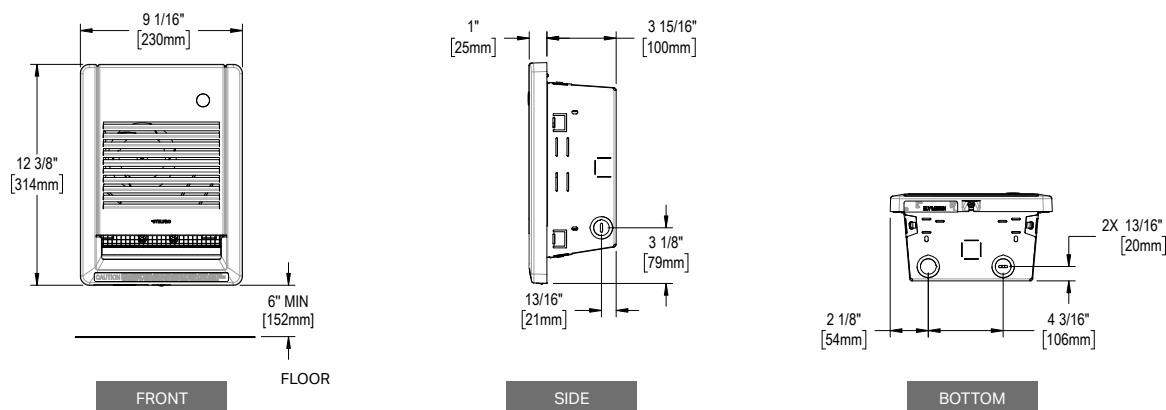
Add WBB for unit without back box (available for U.S. market only).

*Choice of power at installation

ACCESSORIES

PRODUCT	DESCRIPTION
ASSOBB6	back box (6)
ASSOT1W	built-in single pole thermostat [120 V-347 V]
ASSOT2W	built-in double pole thermostat [120V-347V]
ASSOSAW	surface adapter (white)

TECHNICAL DRAWINGS



ASSOH – SONOMA™ HORIZON

WALL FAN HEATER



SONOMA™ HORIZON



THE CLASSIC FAN-HEATER OPTION

The Sonoma Horizon fan heater sets the bar high for optimal comfort. This quiet but fast heating solution is perfect for any room. Its impact-resistant facade makes it a safe and sustainable choice. Easy to install, the Sonoma Horizon fan heater retrofits most popular models and gives your room a classic touch.

- **QUICK AND EASY INSTALLATION**
RETROFITS MOST POPULAR
RECESSED MODELS

- **QUIET FAN**

- **COMPACT**
FIT ANYWHERE, PERFECT
FOR SMALL SPACES

- **DESIGNED WITH THE USER
EXPERIENCE IN MIND**
CONTROLS LOCATED AT
THE TOP OF THE UNIT

- **OPTIMAL SAFETY**
INTEGRATED THERMAL CUTOFF
IMPACT-RESISTANT FACADE

- **FAST COMFORT**
RAPID TEMPERATURE RISE

- **CAN BE INSTALLED HIGH UP**
OUT OF THE REACH OF CHILDREN
AND PETS

COLOR

- white

FINISH

- epoxy-polyester powdercoat

MANUFACTURING

- 22-gauge steel cabinet and 20-gauge steel grille
- thermal protection with manual reset
- additional thermal protection with a thermal fuse (must be replaced if triggered)

ELEMENT

- nichrome element produces instant heat

CONTROL

- built-in thermostat (optional)
- wall thermostat (not included) – the use of an electronic thermostat is strongly recommended

INSTALLATION

- recessed
- bottom of the wall: 6 in. min. from floor
- top to the wall: 6 in. min. from ceiling

WARRANTY

- five years

IDEAL FOR:

hallway, lobby, living room, kitchen, bedroom, office

°STELPRO



TECHNICAL SPECIFICATIONS

WITHOUT CONTROL CODE	BUILT-IN THERMOSTAT CODE	VOLTAGE VOLTS	POWER*		HEIGHT IN.	LENGTH IN.	WEIGHT LB
			WATTS	BTU/H			
ASSOH1001WCW	ASSOH1001T2W	120	1000 or 500	3413 or 1706	9	12 9/16	7.3
ASSOH1008WCW	ASSOH1008T2W	208	1000 or 500	3413 or 1706	9	12 9/16	7.3
ASSOH1002WCW	ASSOH1002T2W	240/208	1000/750 or 500/375	3413/2560 or 1706/1280	9	12 9/16	7.3
ASSOH1501WCW	ASSOH1501T2W	120	1500 or 750	5119 or 2560	9	12 9/16	7.3
ASSOH1502WCW	ASSOH1502T2W	240/208	1500/1125 or 750/560	5119/3839 or 2560/1911	9	12 9/16	7.3
ASSOH2008WCW	ASSOH2008T2W	208	2000 or 1000	6825 or 3413	9	12 9/16	7.3
ASSOH2002WCW	ASSOH2002T2W	240/208	2000/1500 or 1000/750	6825/5119 or 3413/2560	9	12 9/16	7.3

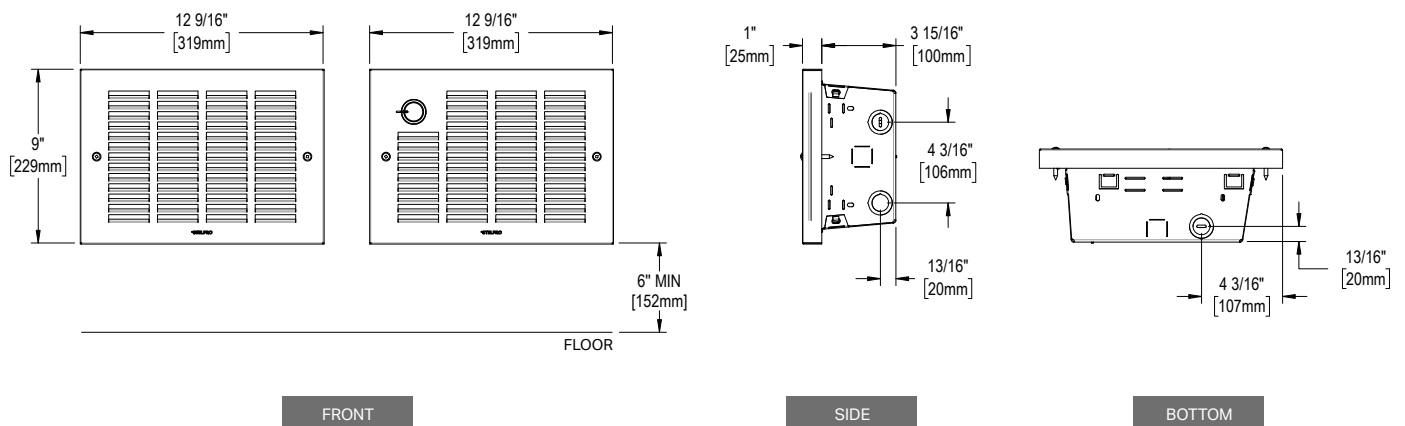
Add WBB for unit without back box (available for U.S. market only).

*Choice of power at installation

ACCESSORIES

PRODUCT	DESCRIPTION
ASSOB6	back box (6)

TECHNICAL DRAWINGS



ARWF – PULSAIR™

WALL FAN HEATER



PULSAIR™



THE CLASSIC FAN HEATER

You won't find anything better than this efficient, durable and low noise fan heater. The Pulsair is extremely popular for many reasons. First, it can be recessed or surface mounted with a surface adapter (optional). It can also be mounted vertically or horizontally so that air can flow either up and down or right and left. Finally, the slim-line Pulsair can be recessed into a wall thickness of 2 in. to 3 in. While it's a winning heating solution for hallways or bathrooms, it can also be installed anywhere in the house, such as the office, or in commercial spaces. Its nichrome element provides instant heat. Available from 500 W to 2000 W, and from 120 V to 277 V, the Pulsair is recognized and recommended by those in the know.

- **VERY QUIET FAN HEATER**
- **THE MOST RESISTANT GRILLE ON THE MARKET**
- **INSTANT HEAT**
NICHROME ELEMENT
- **MULTIPLE INSTALLATION OPTIONS**
RECESSED, SURFACE MOUNTED,
HORIZONTAL OR VERTICAL
- **OPTIONAL DISCONNECT SWITCH AVAILABLE**
- **ADAPTS TO MULTIPLE MARKETS**
AVAILABLE IN: 120 V, 208 V, 240 V AND 277 V

COLORS

- **standard:** white, soft white
- **Orora (optional):** refer to www.stelpro.com/en-US/Orora

FINISH

- epoxy-polyester powdercoat

MANUFACTURING

- 20-gauge steel cabinet and 18-gauge steel grille
- quiet fan – 40 CFM (500 W to 1000 W models) – 75 CFM (1250 W to 2000 W models)
- thermal protection with automatic reset
- dual wattage (DW) in some models (see DW in technical specifications table)
- additional thermal protection with a thermal fuse (must be replaced if triggered)
- pilot light indicates when thermal protection has been activated

ELEMENT

- nichrome element produces instant heat

CONTROL

- built-in thermostat (optional), 3 control knobs included (white, soft white and black)
- wall thermostat (not included) – the use of an electronic thermostat is strongly recommended

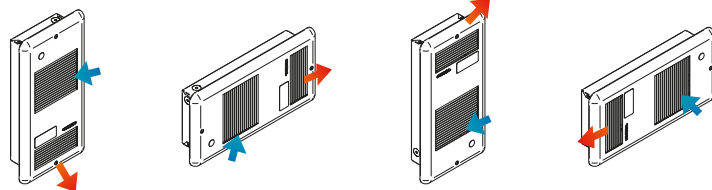
INSTALLATION

- wall mounted
- recessed (wall must have a depth of 2 3/8 in. minimum)
- surface mounted with surface adapter (optional)
- four installation positions

WARRANTY

- five years

FOUR INSTALLATION OPTIONS



IDEAL FOR:

hallway, bathroom, locker room, office

°STELPRO

TECHNICAL SPECIFICATIONS

WITHOUT CONTROL	BUILT-IN SINGLE POLE THERMOSTAT	BUILT-IN DOUBLE POLE THERMOSTAT	POWER		VOLTAGE	FLOW	HEAT RISE	WEIGHT
			WATTS	BTU/H				
ARWF1001*	ARWF1001T*	ARWF1001T2*	1000 or 500	3413 or 1706	120	40	79	6
ARWF1008*	ARWF1008T*	ARWF1008T2*	1000 or 500	3413 or 1706	208	40	79	6
ARWF1002*	ARWF1002T*	ARWF1002T2*	1000/750 or 500/375	3413/2560 or 1707/1280	240/208	40	79	6
ARWF1007	ARWF1007T	ARWF1007T2	1000	3413	277	40	79	6
ARWF1501*	ARWF1501T*	ARWF1501T2*	1500 or 750	5119 or 2560	120	75	63	6
ARWF1508*	ARWF1508T*	ARWF1508T2*	1500 or 750	5119 or 2560	208	75	63	6
ARWF1502*	ARWF1502T*	ARWF1502T2*	1500/1125 or 750/563	5119/3840 or 2560/1922	240/208	75	63	6
ARWF1507	ARWF1507T	ARWF1507T2	1500	5119	277	75	63	6
---	---	---	2000 or 1000	6825 or 3413	120	75	84	6
ARWF2008*	ARWF2008T*	ARWF2008T2*	2000 or 1000	6825 or 3413	208	75	84	6
ARWF2002*	ARWF2002T*	ARWF2002T2*	2000/1500 or 1000/750	6825/5119 or 3413/2560	240/208	75	84	6
ARWF2007	ARWF2007T	ARWF2007T2	2000	6825	277	75	84	6

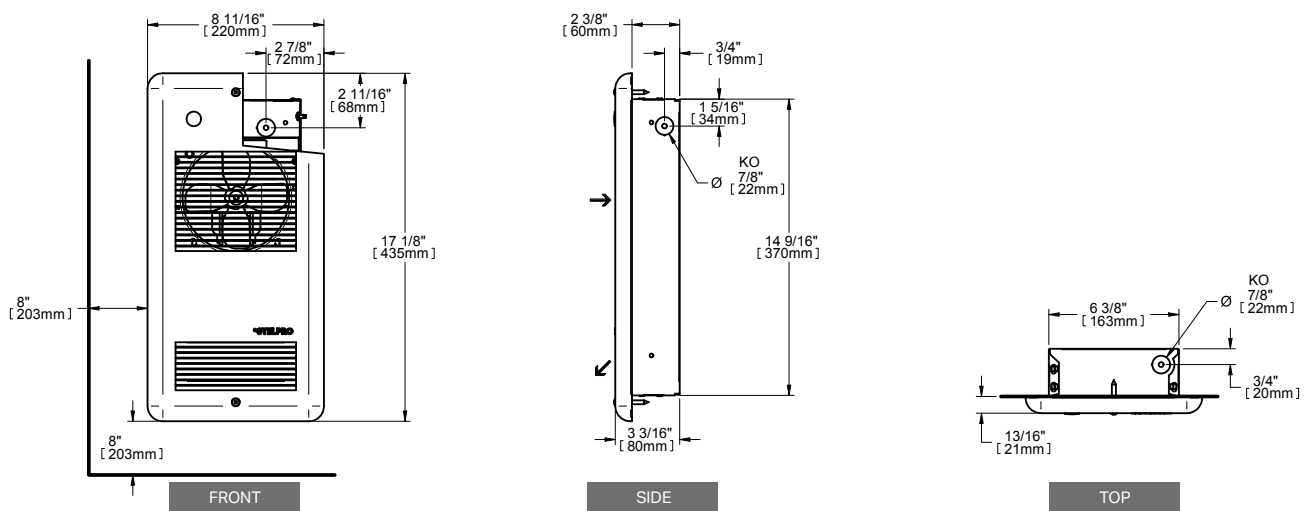
Add W for white or SW for soft white (consult the optional colors chart or contact your Stelpro representative for all other colors).
 --- not available * Dual wattage

ACCESSORIES

PRODUCT	DESCRIPTION
RWFT1*	built-in single pole thermostat [120 V-347 V]
RWFT2	built-in double pole thermostat [120 V-347 V]
RWFSA*	surface adapter (white)
RWFDIS277*	disconnect switch [120 V-277 V] [17 A @ 120 V-12 A @ 277 V] [Unit without thermostat]
RWFDIS277T*	disconnect switch [120 V-277 V] [17 A @ 120 V-12 A @ 277 V] [Unit with thermostat]

* Add W for white or SW for soft white
 * Factory installed

TECHNICAL DRAWINGS



SCR – RADIANCE™

COVE HEATER



INNOVATION AT THE HEIGHT OF YOUR EXPECTATIONS

The Radiance cove heater is one of the most efficient heating systems available today. Mounted near the ceiling, the Radiance directs heat downward across the room, without being blocked by furniture and other objects. Radiant heat warms people in the room directly, creating comfortable conditions similar to the sun. The Radiance also warms all inanimate objects in its path; these objects absorb the heat and in turn act as a "heat reserve," initiating a convection-type flow of heated air that further helps maintain the desired room temperature.

- **15% GREATER ENERGY PERFORMANCE COMPARED TO OTHER RADIANT HEATERS**
- **WALL MOUNTED 2.5 IN. FROM THE CEILING – OUT OF REACH OF CHILDREN AND FREES UP SPACE**
- **IDEAL FOR PEOPLE WITH ALLERGIES**
NO FORCED-AIR MOVEMENT
- **COMPACT AND LIGHTWEIGHT**
IDEAL FOR NEW CONSTRUCTIONS AND RETROFITS

COLORS

- **standard:** soft white
- **Orora (optional):** anodized aluminum paint and black only (refer to www.stelpro.com/en-US/Orora)

FINISH

- front panel: high temperature, high emissivity paint coating for maximum thermal efficiency
- other parts: hybrid epoxy-polyester powder paint

MANUFACTURING

- aluminum front panel
- 18-gauge steel cabinet and back box
- aluminum end covers
- 24-gauge stainless steel reflector
- full-length wireway
- designed and assembled for reduced noise from the expansion and contraction of metal during heating cycles

ELEMENT

- tubular; stainless steel

CONTROL

- wall thermostat (not included) – the use of an electronic thermostat is strongly recommended
- built-in single pole bimetal thermostat installed in the left or right junction box (optional)

INSTALLATION

- wall mounted at a distance of 2.5 in. or more from the ceiling
- all flammable material must be 6 in. or more from the front of the unit

WARRANTY

- five years

IDEAL FOR:

main heat source for any room, above a window or patio door, living space, daycare center, school, playroom, locker room, spa, rooms with limited space

TECHNICAL SPECIFICATIONS

PRODUCT	POWER		VOLTAGE	LENGTH	WEIGHT
	WATTS	BTU/H	VOLTS	IN.	LB
CODE					
SCR0451	450	1536	120	34	6.4
SCR0458	450	1536	208	34	6.4
SCR0452	450/338	1536	240/208	34	6.4
SCR0457	450	1536	277	34	6.4
SCR0601	600	2048	120	47	8.9
SCR0608	600	2048	208	47	8.9
SCR0602	600/450	2048	240/208	47	8.9
SCR0607	600	2048	277	47	8.9
SCR0751	750	2560	120	59	11.1
SCR0758	750	2560	208	59	11.1
SCR0752	750/563	2560	240/208	59	11.1
SCR0757	750	2560	277	59	11.1
SCR0901	900	3071	120	71	13.0
SCR0908	900	3071	208	71	13.0
SCR0902	900/675	3071	240/208	71	13.0
SCR0907	900	3071	277	71	13.0
SCR1051	1050	3583	120	83	15.7
SCR1058	1050	3583	208	83	15.7
SCR1052	1050/788	3583	240/208	83	15.7
SCR1057	1050	3583	277	83	15.7
SCR1201	1200	4095	120	94	17.8
SCR1208	1200	4095	208	94	17.8
SCR1202	1200/900	4095	240/208	94	17.8
SCR1207	1200	4095	277	94	17.8
SCR1508	1500	5119	208	106	20.1
SCR1502	1500/1125	5119	240/208	106	20.1
SCR1507	1500	5119	277	106	20.1

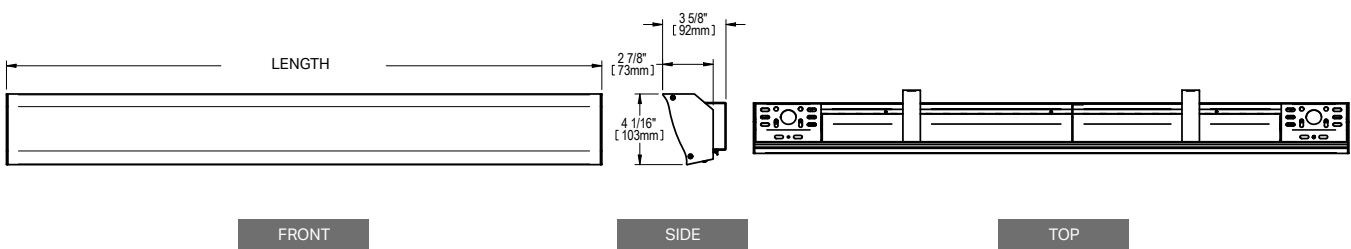
Add SW for soft white (consult the optional colors chart or contact your Stelpro representative for all other colors).

ACCESSORIES

PRODUCT	DESCRIPTION
SCRSPSW	splice plate kit (for installing two units side by side)
SCRBTRSW*	single pole bimetal thermostat with right side end cover
SCRBTLSW*	single pole bimetal thermostat with left side end cover

* Factory installed

TECHNICAL DRAWINGS



ASKS

KICK SPACE HEATER



HIDE 'N HEAT

"Hide 'n heat" is what the SKS kick space heater by Stelpro offers. Its sleek, redesigned grille is slimmer than ever for easy installation in narrow spaces under kitchen or bathroom cabinets or in stair risers. Enjoy comfortable forced-air heating from the most discreet fan heater on the market.

- **POWER SELECTOR SWITCH**
- **EASY INSTALLATION**
- **ATTRACTIVE GRILLE**
ONE-PIECE, FRAMELESS

COLORS

- **standard:** white, soft white
- **luxury finish:** stainless steel (see price list)
- **Orora (optional):** refer to www.stelpro.com/en-US/Orora

FINISH

- epoxy-polyester powdercoat

MANUFACTURING

- 22-gauge steel cabinet and 16-gauge steel front
- quiet, 50 CFM capacity
- thermal protection with automatic reset
- added protection provided by a fuse-link (must be replaced once activated)

WATTAGE AND VOLTAGE

- power selector switch

ELEMENT

- tubular element sheathed with spiral-wound fins for improved heat dissipation

CONTROL

- wall thermostat (not included) – the use of an electronic thermostat is strongly recommended
- built-in thermostat (optional), 3 control knobs included (white, soft white and black)

INSTALLATION

- recessed

WARRANTY

- five years, *three years on electronic components

IDEAL FOR:

under a kitchen or bathroom cabinet, in a stair riser



TECHNICAL SPECIFICATIONS

PRODUCT	POWER		VOLTAGE	THROW DISTANCE (IN FRONT)	HEAT RISE	WEIGHT
	WATTS	BTU/H				
CODE			VOLTS	FT	°F	LB
ASKS1001	500 OR 1000	1706 OR 3413	120	4	53	10
ASKS1002	500/375 OR 1000/750	1706/1280 OR 3413/2560	240/208	4	53	10

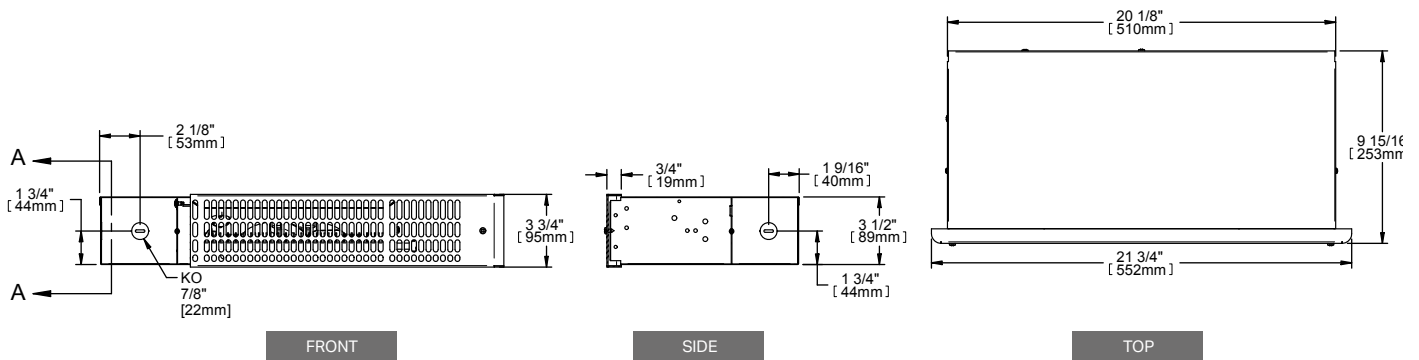
Add W for white, SW for soft white or SS for stainless steel (consult the optional colours chart or contact your Stelpro representative for all other colours).

ACCESSORIES

PRODUCT	DESCRIPTION
SKST1	built-in single pole thermostat
SKST2	built-in double pole thermostat
SKSR*	extended grille (23 5/8 in. x 3 3/4 in. – 600 mm x 95 mm) allows to cover gaps or imperfections for a renovation project
SKSRSS	extended stainless steel grille (23 5/8 in. x 3 3/4 in. – 600 mm x 95 mm) allows to cover gaps or imperfections for a renovation project

* Add W for white or SW for soft white.

TECHNICAL DRAWINGS



Stelpro reserves the right to modify descriptions, manufacturing specifications or prices without prior notice. No returns accepted on optional-color products. For all the latest models and prices, please refer to our website at www.stelpro.com.

ASK

CEILING FAN HEATER



HEAT FROM ABOVE

The ASK ceiling fan heater silently beams down heat from above. This unique model is ideal for rooms where wall space is limited. In bathrooms, the ASK can be installed just outside the shower or bathtub. With its ceiling-recessed casing, the ASK is an excellent way to provide discreet air circulation. The result: uniform heating and air movement, and reduction in mirror and window fog. By adding a wall timer, you can use it on demand.

- **CEILING MOUNTED**
IDEAL FOR ROOMS WITH LIMITED WALL SPACE
- **HEATING ON DEMAND**
OPTIONAL WALL TIMER
- **COMPACT AND QUIET**

COLORS

- **standard:** white, soft white
- **Orora (optional):** refer to www.stelpro.com/en-US/Orora

FINISH

- epoxy-polyester powdercoat

MANUFACTURING

- 22-gauge steel cabinet and 1/4 in. (6.4 mm) deep 20-gauge steel front grille
- easy access for maintenance (no screws)

THERMAL PROTECTION

- thermal protection with automatic reset

ELEMENT

- nichrome element produces instant heat

CONTROL

- built-in thermostat (optional)
- wall thermostat (not included) – the use of an electronic thermostat is strongly recommended
- 60 minute timer (optional)

INSTALLATION

- ceiling mounted (recommended height 8 ft., maximum 9 ft.)
- surface mounted with surface adapter (optional)
- recessed or surface mounted with adapter for suspended ceiling (optional)
- unit can be mounted parallel or perpendicular to ceiling beams
- approved to be recessed in mineral wool; for all other materials please check with insulating product manufacturer

WARRANTY

- five years

IDEAL FOR:

bathroom, entryway, daycare centre, room with limited wall space

TECHNICAL SPECIFICATIONS

PRODUCT	POWER		VOLTAGE	PHASE	FLOW	THROW DISTANCE	HEAT RISE	WEIGHT
	CODE	WATTS	BTU/H	VOLTS	NB	CFM	FT.	°F
ASK0501	500	1706	120	1	60	8	26	11
ASK0508	500	1706	208	1	60	8	26	11
ASK0502	500/375	1706/1280	240/208	1	60	8	26	11
ASK0751	750	2560	120	1	60	8	39	11
ASK0758	750	2560	208	1	60	8	39	11
ASK0752	750/560	2560/1911	240/208	1	60	8	39	11
ASK1001	1000	3413	120	1	60	8	53	11
ASK1008	1000	3413	208	1	60	8	53	11
ASK1002	1000/750	3413/2560	240/208	1	60	8	53	11
ASK1251	1250	4266	120	1	60	8	66	11
ASK1258	1250	4266	208	1	60	8	66	11
ASK1252	1250/940	4266/3208	240/208	1	60	8	66	11
ASK1501	1500	5119	120	1	60	8	79	11
ASK1508	1500	5119	208	1	60	8	79	11
ASK1502	1500/1125	5119/3839	240/208	1	60	8	79	11
---	2000	6825	120	1	90	10'6"	70	11
---	2000	6825	208	1	90	10'6"	70	11
ASK2002	2000/1500	6825/5119	240/208	1	90	10'6"	70	11

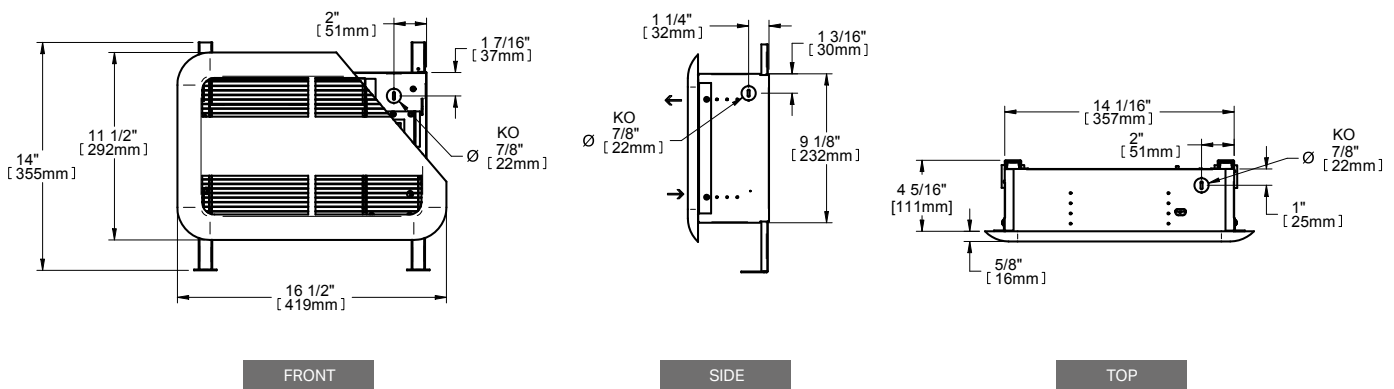
Add W for white or SW for soft white (consult the optional colors chart or contact your Stelpro representative for all other colors).
 --- not available

ACCESSORIES

PRODUCT	DESCRIPTION
SKT1*	tamper-proof built-in thermostat [120 V-347 V] (grille must be removed to access this type of thermostat)
SKTBA*	adapter for suspended ceiling (2 ft. x 2 ft.) – recessed or surface mounted with surface adapter (not included)
SKSA*	surface adapter (ASK model)
SKDIS250*	disconnect switch [120 V-250 V] [17 A @ 120 V-12 A @ 250 V]
SKDIS600*	disconnect switch [277 V-600 V]
FD60MCW70	60-minute wall timer [120 V-277 V]
SKRE153T*	built-in electronic low voltage relay c/w transformer 24 V [15 A @ 208 V-347 V]

* Add W for white or SW for soft white
 * Factory installed

TECHNICAL DRAWINGS



ADR – DRAGON®

CEILING FAN HEATER



THE AUTHENTIC DRAGON!

The hallmark of the Dragon is that it recycles residual warm air that has accumulated at the ceiling, mixing it with the cooler air below. The result? Uniform air temperature and energy savings. The Dragon offers an output of 2000 W to 10 000 W, depending on the model, and offers voltages ranging from 208 V to 600 V. This unit can be ceiling surface mounted or ceiling recessed, suspended at a minimum of 8 feet from the floor. The Dragon is well suited for building entryways, stairwells, warehouses, garages, workshops and hallways. Nothing beats the power of the Dragon!

■ FAST TEMPERATURE RISE VIA HEAT RECOVERY

■ CHOICE OF 2000 W TO 10 000 W

■ STATE-OF-THE ART EFFICIENCY NICHROME ELEMENT

■ SURFACE MOUNTED OR RECESSED INSTALLATION

■ OPTIONAL OFS MODEL TO CONTROL FAN-ONLY MODE WITH WALL SWITCH

COLORS

- **standard:** white, soft white
- **Orora (optional):** refer to www.stelpro.com/en-US/Orora

FINISH

- epoxy-polyester powdercoat

MANUFACTURING

- 20-gauge steel cabinet and 14-gauge steel grille
- quiet helicoidal fan
- thermal protection with automatic reset
- closed and permanently lubricated motor
- pilot light indicates when power is on

ELEMENT

- nichrome element produces instant heat

CONTROL

- wall thermostat (not included) – the use of an electronic thermostat is strongly recommended (up to 4000 W)
- fan-only mode for continuous air circulation, controlled by built-in selection switch
- disconnect switch option available (ADRR models only)

- fan-only mode available for use with wall mounted switch (optional OFS model, wall switch not provided)
- heating mode, confirmed by pilot light when heating is on
- connection of multiple units to the same thermostat is possible with a relay kit without a transformer (optional) and an external transformer (not provided)

INSTALLATION

- ceiling recessed in a T-bar (ADRR model)
- ceiling surface mounted with bracket to support unit during wiring (ADRI and ADRII models) (included)
- install at a minimum distance from adjacent or surrounding walls: 12 in. (ADRR or ADRI models); 24 in. (ADRII models)
- mounting heights: 8 ft. (2 kW or 3 kW units); 10 ft. (4 kW or 5 kW units); 12 ft. (7.5 kW or 10 kW units)
- 2 to 6 wires required for connections according to the selected control (see the connections table in the installation guide)

WARRANTY

- three years

IDEAL FOR:

building entryway, warehouse, stairwell, garage, workshop

°STELPRO

TECHNICAL SPECIFICATIONS

ADRI AND ADRII MODELS (SURFACE MOUNTED INSTALLATION)

WITHOUT CONTROL	BUILT-IN THERMOSTAT	240 V CONTROL	24 V CONTROL	POWER		VOLTAGE	FLOW	WEIGHT
CODE	CODE	CODE	CODE	WATTS	BTU/H	VOLTS	CFM	LB
ADRI0281	ADRI0281T	---	ADRI0281C24	2000	6825	208	250	16
ADRI0221	ADRI0221T	---	ADRI0221C24	2000	6825	240	250	16
ADRI0381	ADRI0381T	---	ADRI0381C24	3000	10 238	208	250	16
ADRI0321	ADRI0321T	---	ADRI0321C24	3000	10 238	240	250	16
ADRI0481	ADRI0481T	---	ADRI0481C24	4000	13 651	208	450	16
ADRI0421	ADRI0421T	---	ADRI0421C24	4000	13 651	240	450	16
---	ADRI0581T	---	ADRI0581C24	5000	17 064	208	450	16
ADRI0521	ADRI0521T	---	ADRI0521C24	5000	17 064	240	450	16
---	ADRII0281T	ADRII0281C	ADRII0281C24	2000	6825	208	450	45
---	ADRII0283CT*	ADRII0283C*	ADRII0283C24*	2000	6825	208	450	45
---	ADRII0221T	ADRII0221C	ADRII0221C24	2000	6825	240	450	45
---	ADRII0271CT	ADRII0271C	ADRII0271C24	2000	6825	277	450	45
---	ADRII0251CT	ADRII0251C	ADRII0251C24	2000	6825	480	450	45
---	ADRII0253CT*	ADRII0253C*	ADRII0253C24*	2000	6825	480	450	45
---	ADRII0381T	ADRII0381C	ADRII0381C24	3000	10 238	208	450	45
---	ADRII0383CT*	ADRII0383C*	ADRII0383C24*	3000	10 238	208	450	45
---	ADRII0321T	ADRII0321C	ADRII0321C24	3000	10 238	240	450	45
---	ADRII0371CT	ADRII0371C	ADRII0371C24	3000	10 238	277	450	45
---	ADRII0351CT	ADRII0351C	ADRII0351C24	3000	10 238	480	450	45
---	ADRII0353CT*	ADRII0353C*	ADRII0353C24*	3000	10 238	480	450	45
---	ADRII0481T	ADRII0481C	ADRII0481C24	4000	13 651	208	450	45
---	ADRII0483CT*	ADRII0483C*	ADRII0483C24*	4000	13 651	208	450	45
---	ADRII0421T	ADRII0421C	ADRII0421C24	4000	13 651	240	450	45
---	ADRII0471CT	ADRII0471C	ADRII0471C24	4000	13 651	277	450	45
---	ADRII0451CT	ADRII0451C	ADRII0451C24	4000	13 651	480	450	45
---	ADRII0453CT*	ADRII0453C*	ADRII0453C24*	4000	13 651	480	450	45
---	ADRII0581T	ADRII0581C	ADRII0581C24	5000	17 064	208	450	45
---	ADRII0583CT*	ADRII0583C*	ADRII0583C24*	5000	17 064	208	450	45
---	ADRII0521T	ADRII0521C	ADRII0521C24	5000	17 064	240	450	45
---	ADRII0571CT	ADRII0571C	ADRII0571C24	5000	17 064	277	450	45
---	ADRII0551CT	ADRII0551C	ADRII0551C24	5000	17 064	480	450	45
---	ADRII0553CT*	ADRII0553C*	ADRII0553C24*	5000	17 064	480	450	45
---	ADRII0781CT	ADRII0781C	ADRII0781C24	7500	25 595	208	700	45
---	ADRII0783CT*	ADRII0783C*	ADRII0783C24*	7500	25 595	208	700	45
---	ADRII0721CT	ADRII0721C	ADRII0721C24	7500	25 595	240	700	45
---	ADRII0771CT	ADRII0771C	ADRII0771C24	7500	25 595	277	700	45
---	ADRII0751CT	ADRII0751C	ADRII0751C24	7500	25 595	480	700	45
---	ADRII0753CT*	ADRII0753C*	ADRII0753C24*	7500	25 595	480	700	45
---	ADRII1081CT	ADRII1081C	ADRII1081C24	10 000	34 127	208	700	45
---	ADRII1083CT*	ADRII1083C*	ADRII1083C24*	10 000	34 127	208	700	45
---	ADRII1021CT	ADRII1021C	ADRII1021C24	10 000	34 127	240	700	45
---	ADRII1071CT	ADRII1071C	ADRII1071C24	10 000	34 127	277	700	45
---	ADRII1051CT	ADRII1051C	ADRII1051C24	10 000	34 127	480	700	45
---	ADRII1053CT*	ADRII1053C*	ADRII1053C24*	10 000	34 127	480	700	45

Add W for white or SW for soft white (consult the optional colors chart or contact your Stelpro representative for all other colors).
Add OFS to control fan-only mode with a wall switch (not provided)

*Three-phase unit

--- not available

TECHNICAL SPECIFICATIONS ADRR MODELS (RECESSED INSTALLATION)

WITHOUT CONTROL	BUILT-IN THERMOSTAT	240 V CONTROL	24 V CONTROL	POWER		VOLTAGE	FLOW	WEIGHT
CODE	CODE	CODE	CODE	WATTS	BTU/H	VOLTS	CFM	LB
ADRR0281	ADRR0281T	ADRR0281C	ADRR0281C24	2000	6825	208	250	30
---	ADRR0283CT*	ADRR0283C*	ADRR0283C24*	2000	6825	208	250	30
ADRR0221	ADRR0221T	ADRR0221C	ADRR0221C24	2000	6825	240	250	30
---	ADRR0271CT	ADRR0271C	ADRR0271C24	2000	6825	277	250	30
---	ADRR0251CT	ADRR0251C	ADRR0251C24	2000	6825	480	250	30
---	ADRR0253CT*	ADRR0253C*	ADRR0253C24*	2000	6825	480	250	30
ADRR0381	ADRR0381T	ADRR0381C	ADRR0381C24	3000	10 238	208	250	32.5
---	ADRR0383CT*	ADRR0383C*	ADRR0383C24*	3000	10 238	208	250	32.5
ADRR0321	ADRR0321T	ADRR0321C	ADRR0321C24	3000	10 238	240	250	32.5
---	ADRR0371CT	ADRR0371C	ADRR0371C24	3000	10 238	277	250	32.5
---	ADRR0351CT	ADRR0351C	ADRR0351C24	3000	10 238	480	250	32.5
---	ADRR0353CT*	ADRR0353C*	ADRR0353C24*	3000	10 238	480	250	32.5
ADRR0481	ADRR0481T	ADRR0481C	ADRR0481C24	4000	13 651	208	450	32.5
---	ADRR0483CT*	ADRR0483C*	ADRR0483C24*	4000	13 651	208	450	32.5
ADRR0421	ADRR0421T	ADRR0421C	ADRR0421C24	4000	13 651	240	450	32.5
---	ADRR0471CT	ADRR0471C	ADRR0471C24	4000	13 651	277	450	32.5
---	ADRR0451CT	ADRR0451C	ADRR0451C24	4000	13 651	480	450	32.5
---	ADRR0453CT*	ADRR0453C*	ADRR0453C24*	4000	13 651	480	450	32.5
---	ADRR0581T	ADRR0581C	ADRR0581C24	5000	17 064	208	450	34
---	ADRR0583CT*	ADRR0583C*	ADRR0583C24*	5000	17 064	208	450	34
ADRR0521	ADRR0521T	ADRR0521C	ADRR0521C24	5000	17 064	240	450	34
---	ADRR0571CT	ADRR0571C	ADRR0571C24	5000	17 064	277	450	34
---	ADRR0551CT	ADRR0551C	ADRR0551C24	5000	17 064	480	450	34
---	ADRR0553CT*	ADRR0553C*	ADRR0553C24*	5000	17 064	480	450	34

Add W for white or SW for soft white (see page 8 of the catalogue for optional colors and contact your Stelpro representative for all other colors).

Add ofs to control fan-only mode with a wall switch (not provided). **Add DIS for disconnect switch (not provided).**

*Three-phase unit --- not available

ACCESSORIES

PRODUCT	DESCRIPTION
DRT1	built-in tamper-proof single pole thermostat (ADRR, ADRI or ADRII models)
DRITBA1*	T-bar adapter (ADRI models)
DRIITBA1*	T-bar adapter (ADRII models)
DRC24RX*	relay kit without transformer 24 V (ADRII or ADRR models)
DRIC24RX*	relay kit without transformer 24 V (ADRI models)

* Add W for white or SW for soft white

* Factory installed

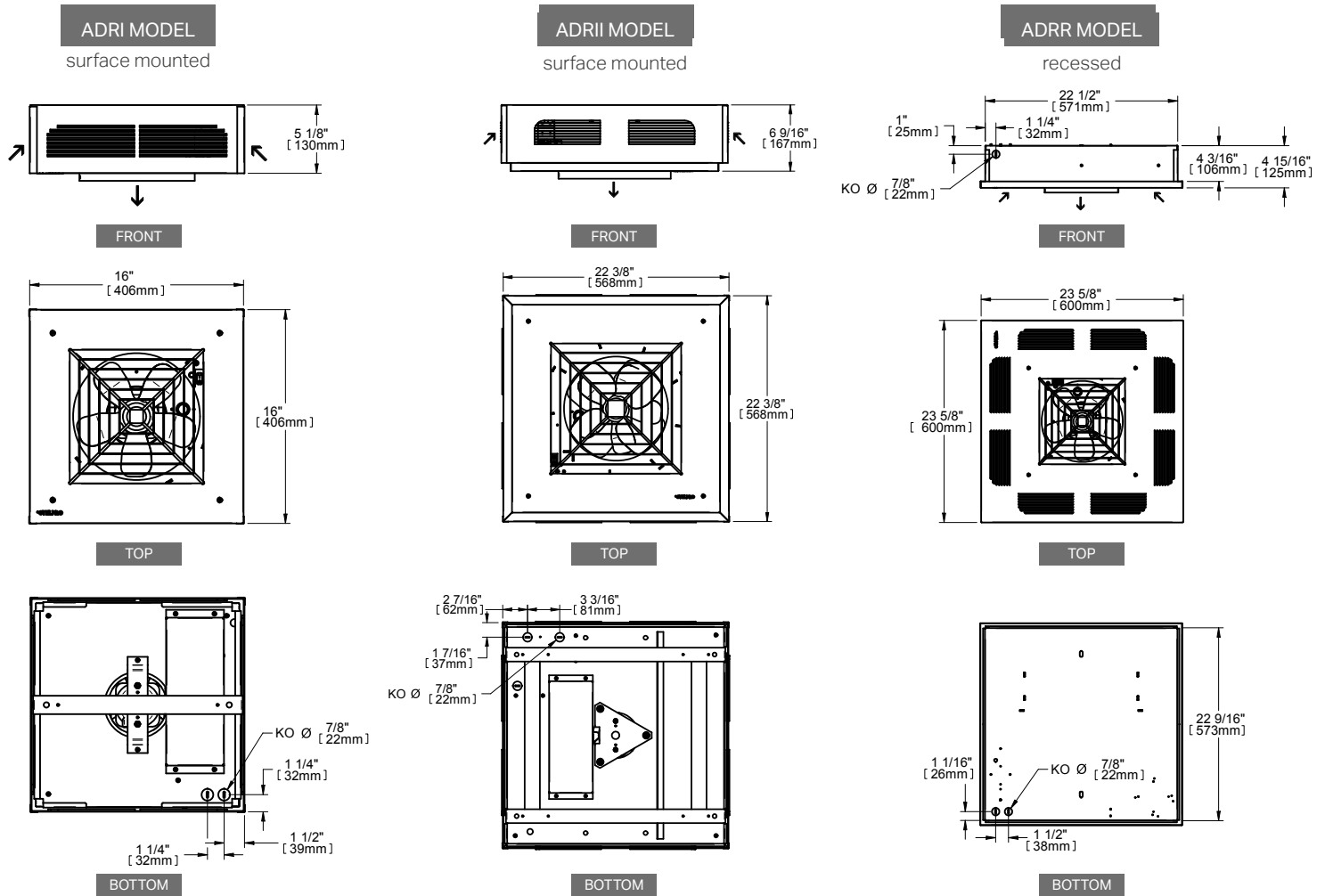


ADRR MODEL - RECESSED



ADRII MODEL - SURFACE MOUNTED

TECHNICAL DRAWINGS



THROW DISTANCE AND HEAT RISE

MODEL	UNITS		THROW DISTANCE	HEAT RISE
	KW	FT		
ADRI	2	23	25	
ADRI	3	23	38	
ADRI	4	23	28	
ADRI	5	23	35	
ADRII	2	23	14	
ADRII	3	23	21	
ADRII	4	23	28	
ADRII	5	23	35	
ADRII	7.5	30	34	
ADRII	10	30	45	
ADRR	2	23	25	
ADRR	3	23	38	
ADRR	4	23	28	
ADRR	5	23	35	

ASCH

PORTABLE MULTIPURPOSE HEATER



EFFICIENT, SAFE AND VERSATILE

Any construction worker will tell you that the ASCH is the fast-acting heating unit most often found on construction sites, hence its nickname: "the construction heater." Housed in a 20-gauge steel casing, it features a rugged protective grille and nichrome element for instant heat at start-up. Despite its small size, this heating powerhouse boasts 4800 W. The ASCH can be placed on the ground or against a wall, using a support bracket, available as an option. This heater is right at home, on construction sites and in workshops and garages. Choose the ASCH when you need rapid, reliable heat.

- **SAFE AND RUGGED**
20-GAUGE STEEL
- **"COOL TOUCH" HOUSING**
- **4800 W HOUSED IN A SMALL UNIT**
- **OPEN COIL GENERATES INSTANT HEAT**
- **CAN BE INSTALLED ON THE WALL OR CEILING WITH A MOUNTING BRACKET (SOLD SEPARATELY)**

COLORS

- **standard:** red

FINISH

- epoxy-polyester powdercoat

MANUFACTURING

- 20-gauge steel cabinet
- sturdy handle for portability that also serves as cord rack and which adapts to the mounting bracket
- 6 ft. (2 m) 12 Awg. molded cable with 3-prong grounded
- thermal protection with automatic reset
- additional thermal protection provided by a fuse-link (must be replaced if triggered)
- pilot lights indicate when power is on and when thermal protection has been activated

MOTOR

- 250 CFM fan

ELEMENT

- nichrome element ensuring increased comfort
- cone-shaped to concentrate the air around the element

CONTROL

- built-in thermostat with control knob protector

INSTALLATION

- connects to a standard 30 A 250 V (ASCH48T) or a 20 A 250 V (ASCH40T) grounded receptacle
- mounting bracket (sold separately) that can rotate at 360° while preventing the unit from tipping

WARRANTY

- two years

IDEAL FOR:

construction site, garages

°STELPRO



TECHNICAL SPECIFICATIONS

PRODUCT	POWER		VOLTAGE	MOTOR	CONNECTION	COLOR	WEIGHT
CODE	WATTS	BTU/H	VOLTS	CFM			LB
ASCH40T	4000/3000	13 651	240/208	250	20 A 250 V plug	red	13
ASCH48T	4800/3600	16 381	240/208	250	30 A 250 V plug	red	13

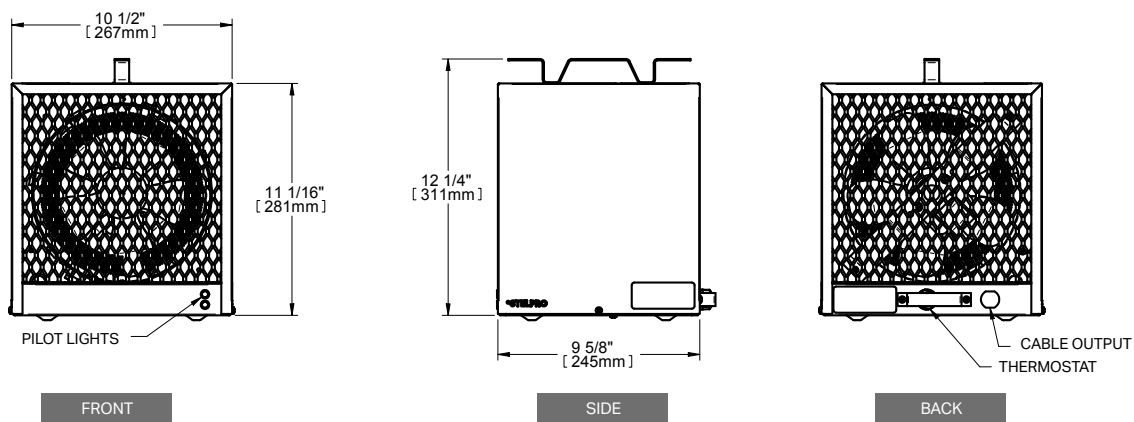
ACCESSORY

PRODUCT	DESCRIPTION
SCH-WBB	mounting bracket

THROW DISTANCE AND HEAT RISE

MODEL	UNITS	THROW DISTANCE	HEAT RISE
	KW	FT	°F
ASCH40T	4	19'4"	51
ASCH48T	4.8	19'4"	61

TECHNICAL DRAWINGS



AALUX1 – ALUX™

MINI ARCHITECTURAL ALUMINUM BASEBOARD



THE SMALLEST IN ITS CLASS

A mini baseboard that lives up to the great expectations of designers, architects and engineers alike. Only 4 1/2 in. high and 2 in. deep, the AALUX1 can be installed in locations previously thought impossible. Discreetly blending into the decor, the AALUX1 mini architectural baseboard heater is solid, powerful and elegant all at once. Even though it is compact in size, the AALUX1 conforms to the strictest standards.

- **EXTRUDED ALUMINUM FRONT AND TOP COVER**
WITH A UNIQUE, LUXURY DESIGN
- **EXTREMELY SOLID, IMPACT AND RUST RESISTANT**
- **VERSATILE**
ADAPTS TO ANY BUILDING'S ARCHITECTURE
- **PERSONALIZED INSTALLATION**
BLANK SECTIONS, PEDESTALS AND CLEAN BACKS AVAILABLE

COLORS

- **standard:** white, soft white
- **luxury finish:** anodized aluminum (see price list)
- **Orora (optional):** refer to www.stelpro.com/en-US/Orora

FINISH

- epoxy-polyester powdercoat or anodized aluminum finish

MANUFACTURING

- 2 in. x 4 1/2 in. compact profile
- solid 20-gauge steel cabinet
- extremely resistant extruded aluminum front cover with a thickness equivalent to 10 gauge
- bottom air intake and top air discharge
- thermal protection with automatic reset
- full-length wireway

ELEMENT

- single tubular, stainless steel sheathed element with boxed aluminum fins for improved heat dissipation; the element is securely fastened at its centre, floating in nylon sleeves at each end, eliminating expansion and contraction noises

CONTROL

- wall thermostat (not included) – the use of an electronic thermostat is strongly recommended
- built-in tamper-proof thermostat accessible without removing front grille, installed in the left junction box only (optional)
- low voltage relay kit installed in the left junction box only (optional)

INSTALLATION

- surface mounted
- wall mounted
- floor mounted with pedestal kit (sold separately)
- at least 2 in. from the floor
- wiring compartment at both ends of unit
- for a continuous look, custom blank sections with a simple attachment system are available (optional)
- multiple integrated controls can be installed in the same baseboard inside an extension

WARRANTY

- three years

IDEAL FOR:

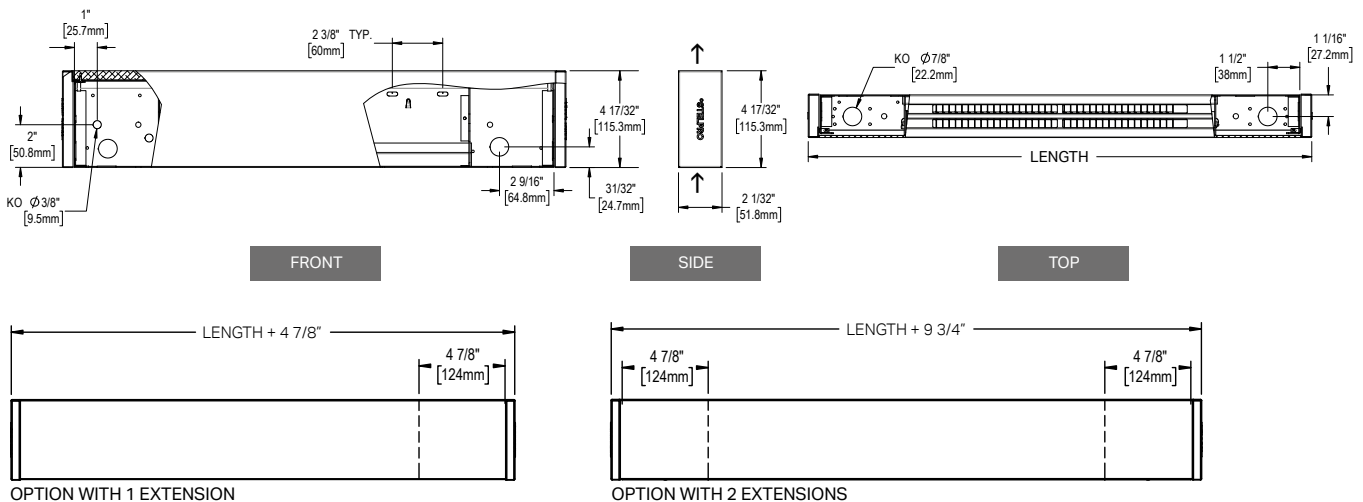
commercial building or shopping mall, hospital, office, private residence, hotel

TECHNICAL SPECIFICATIONS

COMMERCIAL USE 150 W PER LINEAR FOOT			RESIDENTIAL USE 100 W PER LINEAR FOOT			VOLTAGE	LENGTH	WEIGHT
CODE	WATTS	BTU/H	CODE	WATTS	BTU/H	VOLTS	IN.	LB
AALUX106031	300	1024	---	---	---	120	23 5/8	6.4
AALUX106038	300	1024	---	---	---	208	23 5/8	6.4
AALUX106032	300	1024	---	---	---	240	23 5/8	6.4
AALUX109041	450	1536	AALUX109031	300	1024	120	35 7/16	9.1
AALUX109048	450	1536	AALUX109038	300	1024	208	35 7/16	9.1
AALUX109042	450	1536	AALUX109032	300	1024	240	35 7/16	9.1
AALUX109047	450	1536	AALUX109037	300	1024	277	35 7/16	9.1
AALUX112061	600	2048	AALUX112041	400	1365	120	47 1/4	13.6
AALUX112068	600	2048	AALUX112048	400	1365	208	47 1/4	13.6
AALUX112062	600	2048	AALUX112042	400	1365	240	47 1/4	13.6
AALUX112067	600	2048	AALUX112047	400	1365	277	47 1/4	13.6
AALUX115071	750	2560	AALUX115051	500	1706	120	59 1/16	16.8
AALUX115078	750	2560	AALUX115058	500	1706	208	59 1/16	16.8
AALUX115072	750	2560	AALUX115052	500	1706	240	59 1/16	16.8
AALUX115077	750	2560	AALUX115057	500	1706	277	59 1/16	16.8
AALUX115075	750	2560	AALUX115055	500	1706	480	59 1/16	16.8
AALUX118091	900	3071	AALUX118061	600	2048	120	70 7/8	20.0
AALUX118098	900	3071	AALUX118068	600	2048	208	70 7/8	20.0
AALUX118092	900	3071	AALUX118062	600	2048	240	70 7/8	20.0
AALUX118097	900	3071	AALUX118067	600	2048	277	70 7/8	20.0
AALUX118095	900	3071	AALUX118065	600	2048	480	70 7/8	20.0
AALUX121101	1050	3583	AALUX121071	700	2388	120	82 11/16	23.1
AALUX121108	1050	3583	AALUX121078	700	2388	208	82 11/16	23.1
AALUX121102	1050	3583	AALUX121072	700	2388	240	82 11/16	23.1
AALUX121107	1050	3583	AALUX121077	700	2388	277	82 11/16	23.1
AALUX121105	1050	3583	AALUX121075	700	2388	480	82 11/16	23.1
AALUX124121	1200	4095	AALUX124081	800	2730	120	94 1/2	26.7
AALUX124128	1200	4095	AALUX124088	800	2730	208	94 1/2	26.7
AALUX124122	1200	4095	AALUX124082	800	2730	240	94 1/2	26.7
AALUX124127	1200	4095	AALUX124087	800	2730	277	94 1/2	26.7
AALUX124125	1200	4095	AALUX124085	800	2730	480	94 1/2	26.7
AALUX127138	1350	4607	AALUX127098	900	3071	208	106 5/16	26.7
AALUX127132	1350	4607	AALUX127092	900	3071	240	106 5/16	26.7
AALUX127137	1350	4607	AALUX127097	900	3071	277	106 5/16	26.7
AALUX127135	1350	4607	AALUX127095	900	3071	480	106 5/16	26.7

Add W for white, SW for soft white or CA for clear anodized (finish) (consult the optional colors chart or contact your Stelpro representative for all other colors).
 --- not available

TECHNICAL DRAWINGS



Stelpro reserves the right to modify descriptions, manufacturing specifications or prices without prior notice. No returns accepted on optional-color products.
 For all the latest models and prices, please refer to our website at www.stelpro.com.



ACCESSORIES

PRODUCT	DESCRIPTION
ALUX1T12*	built-in tamper-proof single pole thermostat (left side installation only)
ALUX1RE153*	built-in electronic low voltage relay [15 A @ 120 V-347 V]
ALUX1RE156*	built-in electronic low voltage relay [6 A @ 600 V]
ALUX1RE153T*	built-in electronic low voltage relay c/w transformer 24 V [15 A @ 208 V-347 V]
ALUX1DIS277*	disconnect switch [20 A @ 120 V-277 V]
ALUX1DIS600*	disconnect switch [25 A @ 347 V-600 V]
PK4*	pedestal kit – single (kit of two)
PK4CAP	anodized aluminum (paint) pedestal kit – single (kit of two)
PK4D*	pedestal kit – double (kit of two)
PK4DCAP	anodized aluminum (paint) pedestal kit – double (kit of two)
ALUX1JS*	joiner strip (2 in.)
ALUX1JSCAP	anodized aluminum (paint) joiner strip (2 in.)
ALUX1IC90*	inside corner (back measures 5 11/16 in. long on each side)
ALUX1IC90CA	anodized aluminum (finish) inside corner (back measures 5 11/16 in. long on each side)
ALUX1OC90*	outside corner (back measures 5 11/16 in. long on each side)
ALUX1OC90CA	anodized aluminum (finish) outside corner (back measures 5 11/16 in. long on each side)
ALUX1CB**	clean back (fully finished, no mounting holes or knockouts)
ALUX1EXT**	extension (4 7/8 in.) to use with more than one integrated control (1 for 2 controls, 2 for 3 controls – except for ALUX1DIS277)
ALUX1EXTCA*	clear anodized (finish) extension (4 7/8 in.) to use with more than one integrated control (1 for 2 controls, 2 for 3 controls – except for ALUX1DIS277)

Electronic relays can receive a PWM (pulsed width modulation) or digital (on/off) signal

* Add W for white or SW for soft white

* Factory installed

AALUX2 – ALUX™

MINI ARCHITECTURAL ALUMINUM BASEBOARD



STYLE AND DURABILITY AT YOUR FEET

Here is a mini architectural baseboard you won't soon forget. The AALUX2 from the ALUX series, designed to be installed below large windows, patio doors or bay windows. In addition to not cluttering a room, it controls cold air infiltration and condensation since it acts as a hot air curtain. Its unique style and aluminum extrusion not only make it durable but also ensure it complements any room.

- **EXTRUDED ALUMINUM FRONT AND TOP COVER**
WITH A UNIQUE, LUXURY DESIGN
- **EXTREMELY SOLID, IMPACT AND RUST RESISTANT**
- **NO CONDENSATION BUILD-UP**
- **BLANK SECTIONS AVAILABLE**
FOR A CONTINUOUS LOOK

COLORS

- **standard:** white, soft white
- **luxury finish:** anodized aluminum (see price list)
- **Orora (optional):** refer to www.stelpro.com/en-US/Orora

FINISH

- epoxy-polyester powdercoat or anodized aluminum finish

MANUFACTURING

- 3 in. x 3 in. compact profile
- solid 20-gauge steel cabinet
- extremely resistant extruded aluminum front cover with a thickness equivalent to 10 gauge
- thermal protection with automatic reset
- full-length wireway
- pencil-proof openings of less than 1/4 in. prevent foreign objects from entering the unit

ELEMENT

- single tubular, stainless steel sheathed element with boxed aluminum fins for improved heat dissipation; the element is securely fastened at its centre, floating in nylon sleeves at each end, eliminating expansion and contraction noises

CONTROL

- wall thermostat (not included) – the use of an electronic thermostat is strongly recommended
- built-in thermostat accessible without removing front grille, installed in the left junction box only (optional)
- low voltage relay kit installed in the left junction box only (optional)
- multiple integrated controls can be installed in the same baseboard inside an extension

INSTALLATION

- surface mounted
- wall or floor mounted with or without pedestal kit (optional)
- wiring compartment at both ends of unit
- for a continuous look, custom blank sections with a simple attachment system are available (optional)

WARRANTY

- three years

IDEAL FOR:

below large window, patio door or bay window, solarium

°STELPRO

Stelpro reserves the right to modify descriptions, manufacturing specifications or prices without prior notice. **No returns accepted on optional-color products.** For all the latest models and prices, please refer to our website at www.stelpro.com.

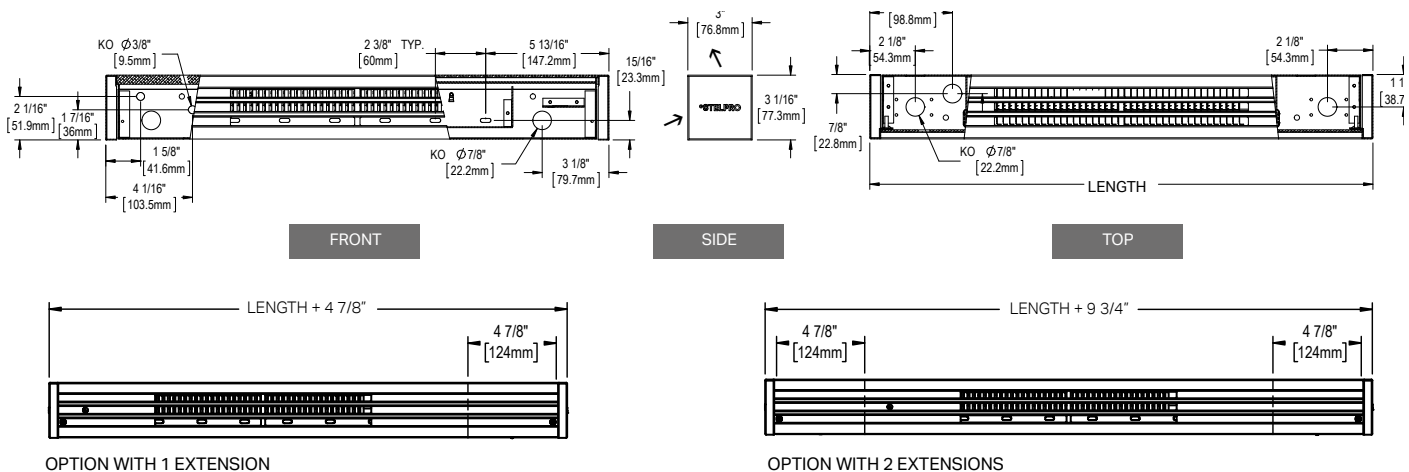


TECHNICAL SPECIFICATIONS

COMMERCIAL USE 150 W PER LINEAR FOOT			RESIDENTIAL USE DENSITY OF 100 W PER LINEAR FOOT			VOLTAGE	LENGTH	WEIGHT
CODE	WATTS	BTU/H	CODE	WATTS	BTU/H	VOLTS	IN.	LB
AALUX206031	300	1024	---	---	---	120	23 5/8	5.2
AALUX206038	300	1024	---	---	---	208	23 5/8	5.2
AALUX206032	300/225	1024/768	---	---	---	240/208	23 5/8	5.2
AALUX209041	450	1536	AALUX209031	300	1024	120	35 7/16	7.8
AALUX209048	450	1536	AALUX209038	300	1024	208	35 7/16	7.8
AALUX209042	450/340	1536/1160	AALUX209032	300/225	1024/768	240/208	35 7/16	7.8
AALUX209047	450	1536	AALUX209037	300	1024	277	35 7/16	7.8
AALUX212061	600	2048	AALUX212041	400	1365	120	47 1/4	10.4
AALUX212068	600	2048	AALUX212048	400	1365	208	47 1/4	10.4
AALUX212062	600/450	2048/1536	AALUX212042	400/300	1365/1024	240/208	47 1/4	10.4
AALUX212067	600	2048	AALUX212047	400	1365	277	47 1/4	10.4
AALUX215071	750	2560	AALUX215051	500	1706	120	59 1/16	13
AALUX215078	750	2560	AALUX215058	500	1706	208	59 1/16	13
AALUX215072	750/560	2560/1911	AALUX215052	500/375	1706/1280	240/208	59 1/16	13
AALUX215077	750	2560	AALUX215057	500	1706	277	59 1/16	13
AALUX215075	750	2560	AALUX215055	500	1706	480	59 1/16	13
AALUX218091	900	3071	AALUX218061	600	2048	120	70 7/8	15.5
AALUX218098	900	3071	AALUX218068	600	2048	208	70 7/8	15.5
AALUX218092	900/675	3071/2304	AALUX218062	600/450	2048/1536	240/208	70 7/8	15.5
AALUX218097	900	3071	AALUX218067	600	2048	277	70 7/8	15.5
AALUX218095	900	3071	AALUX218065	600	2048	480	70 7/8	15.5
AALUX221101	1050	3583	AALUX221071	700	2388	120	82 11/16	18.1
AALUX221108	1050	3583	AALUX221078	700	2388	208	82 11/16	18.1
AALUX221102	1050/790	3583/2696	AALUX221072	700/525	2388/1792	240/208	82 11/16	18.1
AALUX221107	1050	3583	AALUX221077	700	2388	277	82 11/16	18.1
AALUX221105	1050	3583	AALUX221075	700	2388	480	82 11/16	18.1
AALUX224121	1200	4095	AALUX224081	800	2730	120	94 1/2	20.7
AALUX224128	1200	4095	AALUX224088	800	2730	208	94 1/2	20.7
AALUX224122	1200/900	4095/3071	AALUX224082	800/600	2730/2048	240/208	94 1/2	20.7
AALUX224127	1200	4095	AALUX224087	800	2730	277	94 1/2	20.7
AALUX224125	1200	4095	AALUX224085	800	2730	480	94 1/2	20.7
AALUX227138	1350	4607	AALUX227098	900	3071	208	106 5/16	23.3
AALUX227132	1350/1010	4607/3447	AALUX227092	900/675	3071/2304	240/208	106 5/16	23.3
AALUX227137	1350	4607	AALUX227097	900	3071	277	106 5/16	23.3
AALUX227135	1350	4607	AALUX227095	900	3071	480	106 5/16	23.3

Add W for white, SW for soft white or CA for clear anodized (finish) (consult the optional colors chart or contact your Stelpro representative for all other colors).
 --- not available

TECHNICAL DRAWINGS





ACCESSORIES

PRODUCT	DESCRIPTION
ALUX2T12*	built-in tamper-proof single pole thermostat (left side installation only)
ALUX2RE153*	built-in electronic low voltage relay [15 A @ 120 V-347 V]
ALUX2RE156*	built-in electronic low voltage relay [6 A @ 600 V]
ALUX2RE153T*	built-in electronic low voltage relay c/w transformer 24 V [15 A @ 208 V-347 V]
ALUX2DIS277*	disconnect switch [20 A @ 120 V-277 V]
ALUX2DIS600*	disconnect switch [25 A @ 347 V-600 V]
PK5*	pedestal kit – single (kit of two)
PK5CAP	anodized aluminum (paint) pedestal kit – single (kit of two)
PK5D*	pedestal kit – double (kit of two)
PK5DCAP	anodized aluminum (paint) pedestal kit – double (kit of two)
ALUX2JS*	joiner strip (2 in.)
ALUX2JSCAP	anodized aluminum (paint) joiner strip (2 in.)
ALUX2IC90*	inside corner (back measures 6 7/16 in. long on each side)
ALUX2IC90CA	anodized aluminum (finish) inside corner (back measures 6 7/16 in. long on each side)
ALUX2OC90*	outside corner (back measures 6 7/16 in. long on each side)
ALUX2OC90CA	anodized aluminum (finish) outside corner (back measures 6 7/16 in. long on each side)
ALUX2CB**	clean back (fully finished, no mounting holes or knockouts)
ALUX2SA*	full width flush fit stand – height of 2 to 12 in.
ALUX2SR*	full width recessed stand (39/64 in.) – height of 2 in.
ALUX2EXT**	extension (4 7/8 in.) to use with more than one integrated control (1 for 2 controls, 2 for 3 controls)
ALUX2EXTCA*	clear anodized (finish) extension (4 7/8 in.) to use with more than one integrated control (1 for 2 controls, 2 for 3 controls)

Electronic relays can receive a PWM (pulsed width modulation) or digital (on/off) signal

* Add W for white or SW for soft white

* Factory installed

AALUX3 – ALUX™

ARCHITECTURAL ALUMINUM BASEBOARD



THE ARCHITECTS' CHOICE

When aesthetics is a factor, the AALUX3 is the heating unit of choice. The AALUX3 features a winning combination of style and functionality with its extruded aluminum finish and choice of watt densities. The AALUX3 is practically indestructible thanks to the quality of construction of its aluminum front panel with a thickness equivalent to 10 gauge. What's more, it offers the option of adding blank sections for a seamless, uniform look. Offices, large windows and schools can all benefit from the special features of this baseboard heater.

- **EXTRUDED ALUMINUM FRONT AND TOP COVER**
WITH A UNIQUE, LUXURY DESIGN
- **EXTREMELY SOLID, IMPACT AND RUST RESISTANT**
- **OFFERED IN THREE WATT DENSITIES**
- **PERSONALIZED INSTALLATION**
BLANK SECTIONS, PEDESTALS AND CLEAN BACKS AVAILABLE
- **UP TO 3 BUILT-IN CONTROL**
IN THE SAME BASEBOARD

COLORS

- **standard:** white, soft white
- **luxury finish:** anodized aluminum (see price list)
- **Orora (optional):** refer to www.stelpro.com/en-US/Orora

FINISH

- epoxy-polyester powdercoat or anodized aluminum finish

MANUFACTURING

- 3 in. x 4 in. compact profile
- solid 20-gauge steel cabinet
- extremely resistant extruded aluminum front cover with a thickness equivalent to 10 gauge
- thermal protection with automatic reset
- full-length wireway
- pencil-proof openings of less than 1/4 in. prevent foreign objects from entering the unit

ELEMENT

- single tubular, stainless steel sheathed element with boxed aluminum fins for improved heat dissipation; the element is securely fastened at its centre, floating in nylon sleeves at each end, eliminating expansion and contraction noises

CONTROL

- wall thermostat (not included) – the use of an electronic thermostat is strongly recommended
- built-in tamper-proof thermostat accessible without removing front grille, installed in the left junction box only (optional)
- low voltage relay kit installed in the left junction box only (optional)
- multiple integrated controls can be installed in the same baseboard inside one or two extensions (optional)

INSTALLATION

- surface mounted
- wall or floor mounted with or without pedestal kit (optional)
- at least 3 in. from the floor (models with BT option only)
- wiring compartments at both ends of unit
- for a continuous look, custom blank sections with a simple attachment system are available (optional)
- disconnect switch (optional)

WARRANTY

- three years

IDEAL FOR:

office, commercial space, hotel, lobby, solarium, school, hospital

TECHNICAL SPECIFICATIONS

COMMERCIAL USE 250 W PER LINEAR FOOT			COMMERCIAL USE 200 W PER LINEAR FOOT			RESIDENTIAL USE 150 W PER LINEAR FOOT			VOLTAGE	LENGTH	WEIGHT
CODE	WATTS	BTU/H	CODE	WATTS	BTU/H	CODE	WATTS	BTU/H	VOLTS	IN.	LB
AALUX306051	500	1706	AALUX306041	400	1365	AALUX306031	300	1024	120	23 5/8	6.7
AALUX306058	500	1706	AALUX306048	400	1365	AALUX306038	300	1024	208	23 5/8	6.7
AALUX306052	500/375	1706/1280	AALUX306042	400/300	1365/1024	AALUX306032	300/225	1024/768	240/208	23 5/8	6.7
AALUX306057	500	1706	---	400	1365	---	300	1024	277	23 5/8	6.7
AALUX309071	750	2560	AALUX309061	600	2048	AALUX309041	450	1536	120	35 7/16	10.1
AALUX309078	750	2560	AALUX309068	600	2048	AALUX309048	450	1536	208	35 7/16	10.1
AALUX309072	750/560	2560/1911	AALUX309062	600/450	2048/1536	AALUX309042	450/340	1536/1160	240/208	35 7/16	10.1
AALUX309077	750	2560	AALUX309067	600	2048	AALUX309047	450	1536	277	35 7/16	10.1
AALUX309075	750	2560	---	600	2048	---	450	1536	480	35 7/16	10.1
AALUX312101	1000	3413	AALUX312081	800	2730	AALUX312061	600	2048	120	47 1/4	13.4
AALUX312108	1000	3413	AALUX312088	800	2730	AALUX312068	600	2048	208	47 1/4	13.4
AALUX312102	1000/750	3413/2560	AALUX312082	800/600	2730/2048	AALUX312062	600/450	2048/1536	240/208	47 1/4	13.4
AALUX312107	1000	3413	AALUX312087	800	2730	AALUX312067	600	2048	277	47 1/4	13.4
AALUX312105	1000	3413	AALUX312085	800	2730	---	600	2048	480	47 1/4	13.4
AALUX315121	1250	4266	AALUX315101	1000	3413	AALUX315071	750	2560	120	59 1/16	16.8
AALUX315128	1250	4266	AALUX315108	1000	3413	AALUX315078	750	2560	208	59 1/16	16.8
AALUX315122	1250/940	4266/3208	AALUX315102	1000/750	3413/2560	AALUX315072	750/560	2560/1911	240/208	59 1/16	16.8
AALUX315127	1250	4266	AALUX315107	1000	3413	AALUX315077	750	2560	277	59 1/16	16.8
AALUX315125	1250	4266	AALUX315105	1000	3413	AALUX315075	750	2560	480	59 1/16	16.8
AALUX318151	1500	5119	AALUX318121	1200	4095	AALUX318091	900	3071	120	70 7/8	20.1
AALUX318158	1500	5119	AALUX318128	1200	4095	AALUX318098	900	3071	208	70 7/8	20.1
AALUX318152	1500/1125	5119/3839	AALUX318122	1200/900	4095/3071	AALUX318092	900/675	3071/2304	240/208	70 7/8	20.1
AALUX318157	1500	5119	AALUX318127	1200	4095	AALUX318097	900	3071	277	70 7/8	20.1
AALUX318155	1500	5119	AALUX318125	1200	4095	AALUX318095	900	3071	480	70 7/8	20.1
---	1750	5972	AALUX321141	1400	4778	AALUX321101	1050	3583	120	82 11/16	23.4
AALUX321178	1750	5972	AALUX321148	1400	4778	AALUX321108	1050	3583	208	82 11/16	23.4
AALUX321172	1750/1315	5972/4488	AALUX321142	1400/1050	4778/3583	AALUX321102	1050/790	3583/2696	240/208	82 11/16	23.4
AALUX321177	1750	5972	AALUX321147	1400	4778	AALUX321107	1050	3583	277	82 11/16	23.4
AALUX321175	1750	5972	AALUX321145	1400	4778	AALUX321105	1050	3583	480	82 11/16	23.4
---	2000	6825	---	1600	5460	AALUX324121	1200	4095	120	94 1/2	26.8
AALUX324208	2000	6825	AALUX324168	1600	5460	AALUX324128	1200	4095	208	94 1/2	26.8
AALUX324202	2000/1500	6825/5119	AALUX324162	1600/1200	5460/4095	AALUX324122	1200/900	4095/3071	240/208	94 1/2	26.8
AALUX324207	2000	6825	AALUX324167	1600	5460	AALUX324127	1200	4095	277	94 1/2	26.8
AALUX324205	2000	6825	AALUX324165	1600	5460	AALUX324125	1200	4095	480	94 1/2	26.8
AALUX327228	2250	7679	AALUX327188	1800	6143	AALUX327138	1350	4607	208	106 5/16	30.1
AALUX327222	2250/1690	7679/5767	AALUX327182	1800/1350	6143/4607	AALUX327132	1350/1010	4607/3447	240/208	106 5/16	30.1
AALUX327227	2250	7679	AALUX327187	1800	6143	AALUX327137	1350	4607	277	106 5/16	30.1
AALUX327225	2250	7679	AALUX327185	1800	6143	AALUX327135	1350	4607	480	106 5/16	30.1
AALUX327258	2500	8532	AALUX327208	2000	6825	AALUX327158	1500	5119	208	106 5/16	30.1
AALUX327252	2500/1875	8532/6399	AALUX327202	2000/1500	6825/5119	AALUX327152	1500/1125	5119/3839	240/208	106 5/16	30.1
AALUX327257	2500	8532	AALUX327207	2000	6825	AALUX327157	1500	5119	277	106 5/16	30.1
AALUX327255	2500	8532	AALUX327205	2000	6825	AALUX327155	1500	5119	480	106 5/16	30.1

Add W for white, SW for soft white or CA for clear anodized (finish) (consult the optional colors chart or contact your Stelpro representative for all other colors).
 --- not available

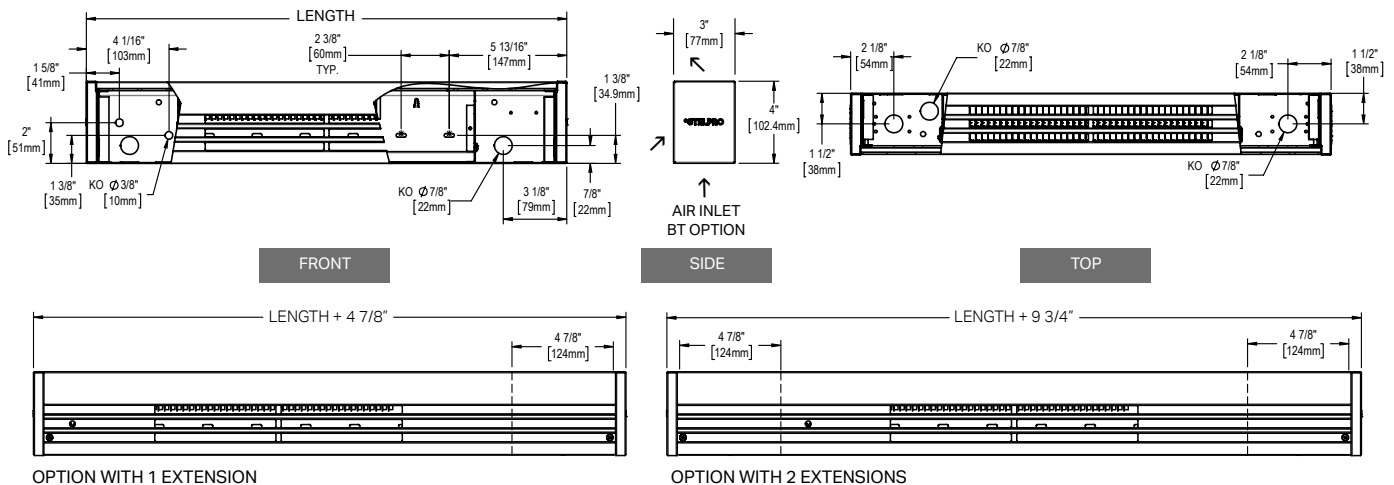


ACCESSORIES

PRODUCT	DESCRIPTION
ALUX3T12*	built-in tamper-proof single pole thermostat (left side installation only)
ALUX3T22*	built-in tamper-proof double pole thermostat (left side installation only)
ALUX3RE153*	built-in electronic low voltage relay [15 A @ 120 V-347 V]
ALUX3RE156*	built-in electronic low voltage relay [6 A @ 600 V]
ALUX3RE153T*	built-in electronic low voltage relay c/w transformer 24 V [15 A @ 208 V-347 V]
ALUX3R841C1151*	built-in mechanical low voltage relay c/w transformer 24 V [6000 W @ 600 V]
ALUX3DIS277*	disconnect switch [20 A @ 120 V-277 V]
ALUX3DIS600*	disconnect switch [25 A @ 347 V-600 V]
PK5*	pedestal kit – single (kit of two)
PK5CAP	clear anodized (paint) pedestal kit – single (kit of two)
PK5D*	pedestal kit – double (kit of two)
PK5DCAP	clear anodized (paint) pedestal kit – double (kit of two)
ALUX3JS*	joiner strip (2 in.)
ALUX3JSCAP	clear anodized (paint) joiner strip (2 in.)
ALUX3IC90*	inside corner (back measures 6 7/16 in. long on each side)
ALUX3IC90CA	clear anodized (finish) inside corner (back measures 6 7/16 in. long on each side)
ALUX3OC90*	outside corner (back measures 6 7/16 in. long on each side)
ALUX3OC90CA	clear anodized (finish) outside corner (back measures 6 7/16 in. long on each side)
ALUX3CB**	clean back (fully finished, no mounting holes or knockouts)
ALUX3BT*	air inlet from below/output from top
ALUX3SA*	full-width flush fit stand – height of 2 to 12 in.
ALUX3SR*	full-width recessed stand (39/64 in.) – height of 2 in.
ALUX3EXT**	extension (4 7/8 in.) to use with more than one integrated control (1 for 2 controls, 2 for 3 controls – except for ALUX3DIS277)
ALUX3EXTCA*	clear anodized (finish) extension (4 7/8 in.) to use with more than one integrated control (1 for 2 controls, 2 for 3 controls – except for ALUX3DIS277)

Electronic relays can receive a PWM (pulsed width modulation) or digital (on/off) signal
 * Add W for white or SW for soft white * Factory installed

TECHNICAL DRAWINGS



AALUX4 – ALUX™

ARCHITECTURAL ALUMINUM BASEBOARD



A HEATER WITH A LOT TO OFFER

The AALUX4 is an impressive blend of contemporary design and superior performance. Its durable steel cabinet is decorated with an elegant aluminum grille and offers a remarkable heat density of 500 W per linear foot. Its unique airflow configuration complements its appearance making it the leader in its class and a popular choice for professionals in the industry.

- **EXTRUDED ALUMINUM FRONT AND TOP COVER**
WITH A UNIQUE, LUXURY DESIGN
- **EXTREMELY SOLID, IMPACT AND RUST RESISTANT**
- **OFFERED IN THREE WATT DENSITIES**
- **PERSONALIZED INSTALLATION**
BLANK SECTIONS, PEDESTALS AND CLEAN BACKS AVAILABLE

COLORS

- **standard:** white, soft white
- **luxury finish:** anodized aluminum (see price list)
- **Orora (optional):** refer to www.stelpro.com/en-US/Orora

FINISH

- epoxy-polyester powdercoat or anodized aluminum finish

MANUFACTURING

- dimensions: 4 3/8 in. x 6 3/4 in.
- solid 20-gauge steel cabinet and extremely resistant extruded aluminum front cover with a thickness equivalent to 10 gauge
- front air intake and top air discharge (bottom air intake available on demand [BT])
- thermal protection with automatic reset
- full-length wireway
- pencil-proof openings of less than 1/4 in. prevent foreign objects from entering the unit

ELEMENTS

- double tubular elements, stainless steel sheathed with boxed aluminum fins for improved heat dissipation; the elements are securely fastened at their centres, floating in nylon sleeves at each end, eliminating expansion and contraction noises

CONTROL

- wall thermostat (not included) – the use of an electronic thermostat is strongly recommended
- built-in tamper-proof thermostat accessible without removing front grille, installed in the left or right junction box (optional)
- low voltage relay kit installed in the left or right junction box (optional)
- multiple integrated controls can be installed in the same baseboard

INSTALLATION

- surface mounted
- wall or floor mounted with or without pedestal kit (optional)
- at least 3 in. from the floor (models with BT option only)
- wiring compartments at both ends of unit
- for a continuous look, custom blank sections with a simple attachment system are available (optional)

WARRANTY

- three years

IDEAL FOR:

shopping mall, hospital, office, hotel, lobby, hallway



Stelpro reserves the right to modify descriptions, manufacturing specifications or prices without prior notice. No returns accepted on optional-color products. For all the latest models and prices, please refer to our website at www.stelpro.com.

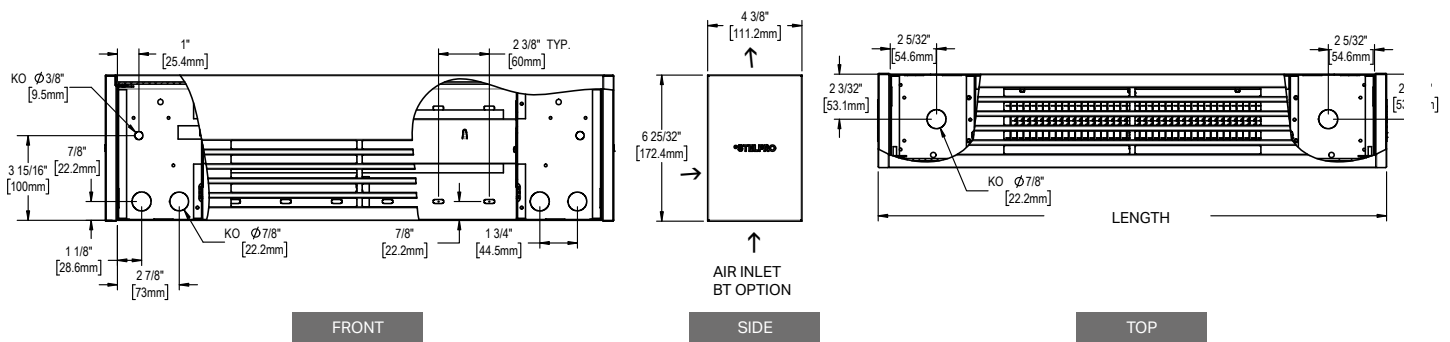


TECHNICAL SPECIFICATIONS

COMMERCIAL USE 500 W PER LINEAR FOOT			COMMERCIAL USE 400 W PER LINEAR FOOT			RESIDENTIAL USE 300 W PER LINEAR FOOT			VOLTAGE	LENGTH	WEIGHT
CODE	WATTS	BTU/H	CODE	WATTS	BTU/H	CODE	WATTS	BTU/H	VOLTS	IN.	LB
AALUX406108	1000	3413	AALUX406088	800	2730	AALUX406068	600	2048	208	23 5/8	9
AALUX406102	1000	3413	AALUX406082	800	2730	AALUX406062	600	2048	240	23 5/8	9
AALUX406107	1000	3413	AALUX406087	800	2730	AALUX406067	600	2048	277	23 5/8	9
AALUX409158	1500	5119	AALUX409128	1200	4095	AALUX409098	900	3071	208	35 7/16	13
AALUX409152	1500	5119	AALUX409122	1200	4095	AALUX409092	900	3071	240	35 7/16	13
AALUX409157	1500	5119	AALUX409127	1200	4095	AALUX409097	900	3071	277	35 7/16	13
AALUX409155	1500	5119	---	1200	4095	---	900	3071	480	35 7/16	13
AALUX412208	2000	6825	AALUX412168	1600	5460	AALUX412128	1200	4095	208	47 1/4	17
AALUX412202	2000	6825	AALUX412162	1600	5460	AALUX412122	1200	4095	240	47 1/4	17
AALUX412207	2000	6825	AALUX412167	1600	5460	AALUX412127	1200	4095	277	47 1/4	17
AALUX412205	2000	6825	AALUX412165	1600	5460	---	1200	4095	480	47 1/4	17
AALUX415258	2500	8532	AALUX415208	2000	6825	AALUX415158	1500	5119	208	59 1/16	20
AALUX415252	2500	8532	AALUX415202	2000	6825	AALUX415152	1500	5119	240	59 1/16	20
AALUX415257	2500	8532	AALUX415207	2000	6825	AALUX415157	1500	5119	277	59 1/16	20
AALUX415255	2500	8532	AALUX415205	2000	6825	AALUX415155	1500	5119	480	59 1/16	20
AALUX418308	3000	10 238	AALUX418248	2400	8190	AALUX418188	1800	6143	208	70 7/8	25
AALUX418302	3000	10 238	AALUX418242	2400	8190	AALUX418182	1800	6143	240	70 7/8	25
AALUX418307	3000	10 238	AALUX418247	2400	8190	AALUX418187	1800	6143	277	70 7/8	25
AALUX418305	3000	10 238	AALUX418245	2400	8190	AALUX418185	1800	6143	480	70 7/8	25
AALUX421358	3500	11 944	AALUX421288	2800	9556	AALUX421218	2100	7167	208	82 11/16	29
AALUX421352	3500	11 944	AALUX421282	2800	9556	AALUX421212	2100	7167	240	82 11/16	29
AALUX421357	3500	11 944	AALUX421287	2800	9556	AALUX421217	2100	7167	277	82 11/16	29
AALUX421355	3500	11 944	AALUX421285	2800	9556	AALUX421215	2100	7167	480	82 11/16	29
AALUX424408	4000	13 651	AALUX424328	3200	10 921	AALUX424248	2400	8190	208	94 1/2	34
AALUX424402	4000	13 651	AALUX424322	3200	10 921	AALUX424242	2400	8190	240	94 1/2	34
AALUX424407	4000	13 651	AALUX424327	3200	10 921	AALUX424247	2400	8190	277	94 1/2	34
AALUX424405	4000	13 651	AALUX424325	3200	10 921	AALUX424245	2400	8190	480	94 1/2	34

Add W for white, SW for soft white or CA for clear anodized (finish) (consult the optional colors chart or contact your Stelpro representative for all other colors).
 --- not available

TECHNICAL DRAWINGS





ACCESSORIES

PRODUCT	DESCRIPTION
ALUX4T12*	built-in tamper-proof single pole thermostat
ALUX4T22*	built-in tamper-proof double pole thermostat
ALUX4RE153*	built-in electronic low voltage relay [15 A @ 120 V-347 V]
ALUX4RE156*	built-in electronic low voltage relay [6 A @ 600 V]
ALUX4RE153T*	built-in electronic low voltage relay c/w transformer 24 V [15 A @ 208 V-347 V]
ALUX4RM240T*	built-in mechanical low voltage relay c/w transformer 24 V [5000 W @ 208 V/6000 W @ 240 V]
ALUX4RM347T*	built-in mechanical low voltage relay c/w transformer 24 V [6000 W @ 347 V]
ALUX4RM347C*	built-in electromechanical relay w/o transformer 24 V [6000 W @ 120 V-347 V]
ALUX4R841C1151*	built-in mechanical low voltage relay c/w transformer 24 V [6000 W @ 600 V]
ALUX4R841D1036*	built-in mechanical low voltage relay w/o transformer 24 V [6000 W @ 120 V-600 V]
ALUX4DIS277*	disconnect switch [20 A @ 120 V-277 V]
ALUX4DIS600*	disconnect switch [25 A @ 347 V-600 V]
PK6*	pedestal kit – single (kit of two)
PK6CAP	anodized aluminum (paint) pedestal kit – single (kit of two)
PK6D*	pedestal kit – double (kit of two)
PK6DCAP	anodized aluminum (paint) pedestal kit – double (kit of two)
ALUX4JS*	joiner strip (2 in.)
ALUX4JSCAP	anodized aluminum (paint) joiner strip (2 in.)
ALUX4IC90*	inside corner (back measures 7 9/16 in. long on each side)
ALUX4IC90CA	anodized aluminum (finish) inside corner (back measures 7 9/16 in. long on each side)
ALUX4OC90*	outside corner (back measures 7 9/16 in. long on each side)
ALUX4OC90CA	anodized aluminum (finish) outside corner (back measures 7 9/16 in. long on each side)
ALUX4CB**	clean back (fully finished, no mounting holes or knockouts)
ALUX4BT*	air inlet from below/output from top
ALUX4SA*	full-width flush fit stand – height of 2 to 12 in
ALUX4SR*	full-width recessed stand (19/32 in.) – height of 2 in.

Electronic relays can receive a PWM (pulsed width modulation) or digital (on/off) signal
 * Add W for white or SW for soft white ** Factory installed

DBI

ALUMINUM DRAFT BARRIER



DESIGN AND FUNCTIONALITY COMBINED

The DBI electric baseboard heater has clean, unobtrusive lines that are sure to meet the standards of decor aficionados. It can be wall mounted, placed on the floor or installed on a pedestal. Consider the DBI for use in offices, conference rooms, entryways, commercial buildings, schools or hospitals. Enjoy the benefits of heating efficiency without sacrificing aesthetics.

- **HIGH-QUALITY ALUMINUM**
EXTRUDED ALUMINUM GRILLE WITH A THICKNESS EQUIVALENT TO 11 GAUGE
- **OFFERED IN THREE WATT DENSITIES**
- **COMPACT SIZE**
- **BLANK SECTIONS AVAILABLE**
FOR A CONTINUOUS LOOK

COLORS

- **standard:** white, soft white
- **luxury finish:** anodized aluminum (see price list)
- **Orora (optional):** refer to www.stelpro.com/en-US/Orora

FINISH

- epoxy-polyester powdercoat or anodized aluminum finish

MANUFACTURING

- 18-gauge steel cabinet
- extruded aluminum front panel with a thickness equivalent to 11 gauge
- front air intake and top air discharge (bottom air intake available on demand [BT])
- thermal protection with automatic reset
- full-length wireway
- pencil-proof openings of less than 1/4 in. prevent foreign objects from entering the unit

ELEMENT

- single tubular, stainless steel sheathed element with boxed aluminum fins for improved heat dissipation; the element is securely fastened at its centre, floating in nylon sleeves at each end, eliminating expansion and contraction noises

CONTROL

- wall thermostat (not included) – the use of an electronic thermostat is strongly recommended
- built-in tamper-proof thermostat accessible without removing front grille, installed in the left junction box only (optional)
- low voltage relay kit installed in the left or right junction box (optional)
- built-in thermostat with button installed in the left junction box only (optional)

INSTALLATION

- surface mounted
- wall or floor mounted with or without pedestal kit (optional)
- wiring compartments at both ends of unit
- blank sections (custom lengths) and accessories are available for a continuous look (optional)

WARRANTY

- three years

IDEAL FOR:

office, entryway, commercial space, school, hospital

TECHNICAL SPECIFICATIONS

STANDARD DENSITY 250 W PER LINEAR FOOT			MEDIUM DENSITY 200 W PER LINEAR FOOT			LOW DENSITY 150 W PER LINEAR FOOT			VOLTAGE	LENGTH	WEIGHT
CODE	WATTS	BTU/H	CODE	WATTS	BTU/H	CODE	WATTS	BTU/H	VOLTS	IN.	LB
DBI6051	500	1706	DBI6041	400	1365	DBI6031	300	1024	120	23 5/8	6.7
DBI6058	500	1706	DBI6048	400	1365	DBI6038	300	1024	208	23 5/8	6.7
DBI6052	500	1706	DBI6042	400	1365	DBI6032	300	1024	240	23 5/8	6.7
DBI6057	500	1706	---	400	1365	---	300	1024	277	23 5/8	6.7
DBI9071	750	2560	DBI9061	600	2048	DBI9041	450	1536	120	35 7/16	10.1
DBI9078	750	2560	DBI9068	600	2048	DBI9048	450	1536	208	35 7/16	10.1
DBI9072	750	2560	DBI9062	600	2048	DBI9042	450	1536	240	35 7/16	10.1
DBI9077	750	2560	DBI9067	600	2048	DBI9047	450	1536	277	35 7/16	10.1
DBI12101	1000	3413	DBI12081	800	2730	DBI12061	600	2048	120	47 1/4	13.4
DBI12108	1000	3413	DBI12088	800	2730	DBI12068	600	2048	208	47 1/4	13.4
DBI12102	1000	3413	DBI12082	800	2730	DBI12062	600	2048	240	47 1/4	13.4
DBI12107	1000	3413	DBI12087	800	2730	DBI12067	600	2048	277	47 1/4	13.4
DBI15121	1250	4266	DBI15101	1000	3413	DBI15071	750	2560	120	59 1/16	16.8
DBI15128	1250	4266	DBI15108	1000	3413	DBI15078	750	2560	208	59 1/16	16.8
DBI15122	1250	4266	DBI15102	1000	3413	DBI15072	750	2560	240	59 1/16	16.8
DBI15127	1250	4266	DBI15107	1000	3413	DBI15077	750	2560	277	59 1/16	16.8
DBI15125	1250	4266	DBI15105	1000	3413	DBI15075	750	2560	480	59 1/16	16.8
DBI18151	1500	5119	DBI18121	1200	4095	DBI18091	900	3071	120	70 7/8	20.1
DBI18158	1500	5119	DBI18128	1200	4095	DBI18098	900	3071	208	70 7/8	20.1
DBI18152	1500	5119	DBI18122	1200	4095	DBI18092	900	3071	240	70 7/8	20.1
DBI18157	1500	5119	DBI18127	1200	4095	DBI18097	900	3071	277	70 7/8	20.1
DBI18155	1500	5119	DBI18125	1200	4095	DBI18095	900	3071	480	70 7/8	20.1
---	1750	5972	DBI21141	1400	4778	DBI21101	1050	3583	120	82 11/16	23.4
DBI21178	1750	5972	DBI21148	1400	4778	DBI21108	1050	3583	208	82 11/16	23.4
DBI21172	1750	5972	DBI21142	1400	4778	DBI21102	1050	3583	240	82 11/16	23.4
DBI21177	1750	5972	DBI21147	1400	4778	DBI21107	1050	3583	277	82 11/16	23.4
DBI21175	1750	5972	DBI21145	1400	4778	DBI21105	1050	3583	480	82 11/16	23.4
---	2000	6825	---	1600	5460	DBI24121	1200	4095	120	94 1/2	26.8
DBI24208	2000	6825	DBI24168	1600	5460	DBI24128	1200	4095	208	94 1/2	26.8
DBI24202	2000	6825	DBI24162	1600	5460	DBI24122	1200	4095	240	94 1/2	26.8
DBI24207	2000	6825	DBI24167	1600	5460	DBI24127	1200	4095	277	94 1/2	26.8
DBI24205	2000	6825	DBI24165	1600	5460	DBI24125	1200	4095	480	94 1/2	26.8
DBI27228	2250	7679	DBI27188	1800	6143	DBI27138	1350	4607	208	106 5/16	30.1
DBI27222	2250	7679	DBI27182	1800	6143	DBI27132	1350	4607	240	106 5/16	30.1
DBI27227	2250	7679	DBI27187	1800	6143	DBI27137	1350	4607	277	106 5/16	30.1
DBI27225	2250	7679	DBI27185	1800	6143	DBI27135	1350	4607	480	106 5/16	30.1
DBI27258	2500	8532	DBI27208	2000	6825	DBI27158	1500	5119	208	106 5/16	30.1
DBI27252	2500	8532	DBI27202	2000	6825	DBI27152	1500	5119	240	106 5/16	30.1
DBI27257	2500	8532	DBI27207	2000	6825	DBI27157	1500	5119	277	106 5/16	30.1
DBI27255	2500	8532	DBI27205	2000	6825	DBI27155	1500	5119	480	106 5/16	30.1

Add W for white, SW for soft white or CA for anodized aluminum (finish) (consult the optional colors chart or contact your Stelpro representative for all other colors).
 --- not available



ACCESSORIES

PRODUCT	DESCRIPTION
DBIT12*	built-in tamper-proof single pole thermostat
DBIT22*	built-in tamper-proof double pole thermostat
DBIT12-BOUTON*	built-in single pole thermostat with knob
DBIRE153*	built-in electronic low voltage relay [15 A @ 120 V-347 V]
DBIRE156*	built-in electronic low voltage relay [6 A @ 600 V]
DBIRE153T*	built-in electronic low voltage relay c/w transformer 24 V [15 A @ 208 V-347 V]
DBIRM240T*	built-in mechanical low voltage relay c/w transformer 24 V [5000 W @ 208 V/6000 W @ 240 V]
DBIRM347T*	built-in mechanical low voltage relay c/w transformer 24 V [6000 W @ 347 V]
DBIRM347C*	built-in electromechanical relay w/o transformer 24 V [6000 W @ 120 V-347 V]
DBIDIS250*	disconnect switch [120 V-250 V] [17 A @ 120 V-12 A @ 250 V]
DBIDIS600*	disconnect switch [277 V-600 V]
PK1*	pedestal kit (kit of two)
PK1CAP	anodized aluminum (paint) pedestal kit (kit of two)
DBIJS*	joiner strip (2 in.)
DBIJSAP	anodized aluminum (paint) joiner strip (2 in.)
DBIIC90*	inside corner (back measures 5 7/8 in. long on each side)
DBIIC90CA	anodized aluminum (finish) inside corner (back measures 5 7/8" long on each side)
DBIOC90*	outside corner (back measures 5 7/8 in. long on each side)
DBIOC90CA	anodized aluminum (finish) outside corner (back measures 5 7/8" long on each side)
DBICB**	clean back (fully finished, no mounting holes or knockouts)
DBICBCAP*	anodized aluminum (paint) clean back (fully finished, no mounting holes or knockouts)
DBIBT*	bottom air intake/top air discharge

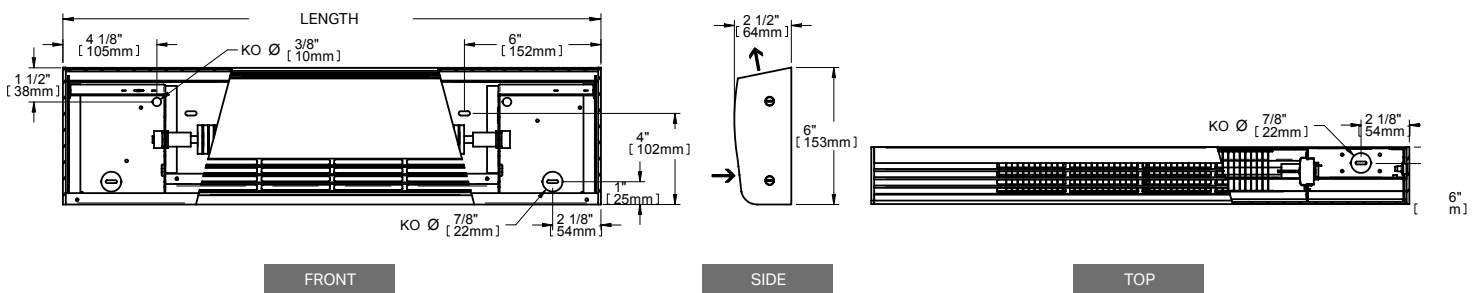
Electronic relays can receive a PWM (pulsed width modulation) or digital (on/off) signal.

* Add W for white or SW for soft white

* Factory installed

* Factory installation is strongly recommended

TECHNICAL DRAWINGS



AWFA – ALUX™

ALUMINUM WALL FAN HEATER



WHEN DURABILITY AND PERFORMANCE MEET DESIGN

In need of a solid, stylish heater to warm your clients in the lobby or entrance of your business? The Alux series wall fan heater (AWFA) with its remarkable rush of warm air is the solution. It has an aluminum extrusion grille that is striking, modern and unbelievably resistant. Imagine no more dents or rust! The AWFA is suitable for recessed installation or can be surface mounted on a wall and is available in a large array of wattages to meet all your needs.

- **EXTRUDED ALUMINUM PROFILE WITH A UNIQUE, LUXURY DESIGN**
- **EXTREMELY SOLID, IMPACT AND RUST RESISTANT**
- **WIDE RANGE OF MODELS AND HEATING CAPACITIES INCLUDING A SINGLE 4800 W MODEL**
- **SIGNATURE NICHROME ELEMENT OFFERS SUPERIOR PERFORMANCE AND IMMEDIATE HEAT**

COLORS

- **standard:** white, soft white
- **Orora (optional):** refer to www.stelpro.com/en-US/Orora

FINISH

- epoxy-polyester powdercoat

MANUFACTURING

- 22-gauge steel cabinet
- extruded aluminum grille with a thickness equivalent to 13 gauge
- top air intake with bottom air discharge
- quiet helicoidal fan: single unit 1 x 160 CFM – double unit 2 x 160 CFM – triple unit 3 x 160 CFM
- closed and permanently lubricated motor
- thermal protection with automatic reset

ELEMENT

- high-quality nichrome element producing instant heat

CONTROL

- connection of multiple units to the same thermostat is possible with a relay kit without transformer (optional) and an external transformer (not provided)
- built-in thermostat (optional), 3 control knobs included (white, soft white and black) for standard installation, without knob for tamper-proof installation

INSTALLATION

- wall mounted
- recessed or surface mounted with surface adapter (optional)

WARRANTY

- three years

IDEAL FOR:

lobby, entrance, corridor, factory, warehouse, stairwell

°STELPRO

Stelpro reserves the right to modify descriptions, manufacturing specifications or prices without prior notice. **No returns accepted on optional-color products.** For all the latest models and prices, please refer to our website at www.stelpro.com.



FC_WFA_US_230623

TECHNICAL SPECIFICATIONS

WITHOUT CONTROL CODE	BUILT-IN THERMOSTAT CODE	240 V CONTROL CODE	24 V CONTROL CODE	POWER		VOLTAGE	WEIGHT	MODEL
				WATTS	BTU/H	VOLTS	LB	UNIT
AWFA1501	AWFA1501T	---	AWFA1501C24	1500	5119	120	20	SINGLE
AWFA1508	AWFA1508T	AWFA1508C	AWFA1508C24	1500	5119	208	20	SINGLE
AWFA1502	AWFA1502T	AWFA1502C	AWFA1502C24	1500/1125	5119/3839	240/208	20	SINGLE
AWFA1507	AWFA1507T	AWFA1507C	AWFA1507C24	1500	5119	277	27	SINGLE
---	AWFA1505CT	AWFA1505C	AWFA1505C24	1500	5119	480	27	SINGLE
AWFA2008	AWFA2008T	AWFA2008C	AWFA2008C24	2000	6825	208	23	SINGLE
AWFA2002	AWFA2002T	AWFA2002C	AWFA2002C24	2000/1500	6825/5119	240/208	23	SINGLE
AWFA2007	AWFA2007T	AWFA2007C	AWFA2007C24	2000	6825	277	27	SINGLE
---	AWFA2005CT	AWFA2005C	AWFA2005C24	2000	6825	480	27	SINGLE
AWFA3008	AWFA3008T	AWFA3008C	AWFA3008C24	3000	10 238	208	23	SINGLE
AWFA3002	AWFA3002T	AWFA3002C	AWFA3002C24	3000/2250	10 238/7679	240/208	23	SINGLE
AWFA3007	AWFA3007T	AWFA3007C	AWFA3007C24	3000	10 238	277	27	SINGLE
---	AWFA3005CT	AWFA3005C	AWFA3005C24	3000	10 238	480	27	SINGLE
AWFA4008*	AWFA4008T*	AWFA4008C*	AWFA4008C24*	4000	13 651	208	23	SINGLE
AWFA4002*	AWFA4002T*	AWFA4002C*	AWFA4002C24*	4000/3000	13 651/10 238	240/208	23	SINGLE
AWFA4007*	AWFA4007T*	AWFA4007C*	AWFA4007C24*	4000	13 651	277	27	SINGLE
---	AWFA4005CT*	AWFA4005C*	AWFA4005C24*	4000	13 651	480	27	SINGLE
AWFA4808	AWFA4808T	AWFA4808C	AWFA4808C24	4800	16 381	208	23	SINGLE
AWFA4802	AWFA4802T	AWFA4802C	AWFA4802C24	4800/3600	16 381/12 285	240/208	23	SINGLE
AWFA4807	AWFA4807T	AWFA4807C	AWFA4807C24	4800	16 381	277	27	SINGLE
---	AWFA4805CT	AWFA4805C	AWFA4805C24	4800	16 381	480	27	SINGLE
---	AWFA6008CT	AWFA6008C	AWFA6008C24	6000	20 476	208	44	DOUBLE
---	AWFA6002T	AWFA6002C	AWFA6002C24	6000/4500	20 476/15 357	240/208	44	DOUBLE
---	AWFA6007T	AWFA6007C	AWFA6007C24	6000	20 476	277	48	DOUBLE
---	AWFA6005CT	AWFA6005C	AWFA6005C24	6000	20 476	480	48	DOUBLE
---	AWFA60083CT*	AWFA60083C*	AWFA60083C24*	6000	20 476	208	80	TRIPLE
---	AWFA60053CT*	AWFA60053C*	AWFA60053C24*	6000	20 476	480	80	TRIPLE
---	AWFA8008CT	AWFA8008C	AWFA8008C24	8000	27 302	208	44	DOUBLE
---	AWFA8002CT	AWFA8002C	AWFA8002C24	8000/6000	27 302/20 476	240/208	44	DOUBLE
---	AWFA8007CT	AWFA8007C	AWFA8007C24	8000	27 302	277	48	DOUBLE
---	AWFA8005CT	AWFA8005C	AWFA8005C24	8000	27 302	480	48	DOUBLE
---	AWFA90083CT*	AWFA90083C*	AWFA90083C24*	9000	30 714	208	80	TRIPLE
---	AWFA90053CT*	AWFA90053C*	AWFA90053C24*	9000	30 714	480	80	TRIPLE
---	AWFA12008CT	AWFA12008C	AWFA12008C24	12 000	40 952	208	80	TRIPLE
---	AWFA12002CT	AWFA12002C	AWFA12002C24	12 000/9000	40 952/30 714	240/208	80	TRIPLE
---	AWFA12007CT	AWFA12007C	AWFA12007C24	12 000	40 952	277	80	TRIPLE
---	AWFA12005CT	AWFA12005C	AWFA12005C24	12 000	40 952	480	80	TRIPLE
---	AWFA120083CT*	AWFA120083C*	AWFA120083C24*	12 000	40 952	208	80	TRIPLE
---	AWFA120053CT*	AWFA120053C*	AWFA120053C24*	12 000	40 952	480	80	TRIPLE

Add W for white or SW for soft white (consult the optional colors chart or contact your Stelpro representative for all other colors).

* Three-phase unit * Dual wattage (4000/2000 W – 13 651/6825 Btu/hr)

--- not available † Refer to www.stelpro.com

ACCESSORIES

PRODUCT	DESCRIPTION
WFAT1	built-in single pole thermostat [120 V-600 V] (standard or tamper-proof)
WFAT2	built-in double pole thermostat [120 V-600 V] (standard or tamper-proof)
WFASA1*	surface adapter (single unit)
WFASA2*	surface adapter (double unit)
WFASA3*	surface adapter (triple unit)
WFADIS-30*	disconnect switch kit 600 V/30 A, 2 poles
WFADIS-40*	disconnect switch kit 600 V/40 A, 2 poles/3 poles
WFADIS-60*	disconnect switch kit 600 V/60 A, 2 poles/3 poles
WFC24RX*	relay kit without transformer 24 V

* Add W for white or SW for soft white

* Factory installed



THROW DISTANCE AND HEAT RISE

UNITS	THROW DISTANCE	HEAT RISE
KW	FT	°F
1.5	13'7"	30
2	13'7"	40
3	13'7"	59
4	13'7"	79
4.8	13'7"	95
6	13'7"	59
8	13'7"	79
9	13'7"	59
12	13'7"	79

AWF

WALL FAN HEATER



VERSATILITY IS THE NAME OF THE GAME!

The AWF is a high-capacity fan heater that's ideal for building lobbies, long corridors, stairwells, workshops, factories and warehouses. Its electrical element is made of high-quality nichrome that provides an immediate surge of hot air. The various modes of wall installation make the WF heater one of the most versatile fan heaters on the market: it can be surface mounted or recessed, with a variety of models and heating capacities to choose from.

- **GRILLE WITH ROUNDED SIDES**
DURABLE AND STYLISH
- **WIDE RANGE OF MODELS AND HEATING CAPACITIES**
INCLUDING A SINGLE 4800 W MODEL
- **NICHROME ELEMENT**
ASSURING INSTANT HEAT
- **OPTIONAL DISCONNECT SWITCH AVAILABLE**

COLORS

- **standard:** white, soft white
- **Orora (optional):** refer to www.stelpro.com/en-US/Orora

FINISH

- epoxy-polyester powdercoat

MANUFACTURING

- 20-gauge steel cabinet and 18-gauge steel grille
- top air intake with bottom air discharge
- quiet helicoidal fan: single unit 1 x 160 CFM – double unit 2 x 160 CFM – triple unit 3 x 160 CFM
- closed and permanently lubricated motor
- thermal protection with automatic reset

ELEMENT

- high-quality nichrome element producing instant heat

CONTROL

- connection of multiple units to the same thermostat is possible with a relay kit without transformer (optional) and an external transformer (not provided)
- built-in thermostat (optional), 3 control knobs included (white, soft white and black) for standard installation, without knob for tamper-proof installation

INSTALLATION

- wall mounted
- recessed or surface mounted with surface adapter (optional)

WARRANTY

- three years



ROUNDED SIDES

IDEAL FOR:

lobby, corridor, factory, warehouse, stairwell

TECHNICAL SPECIFICATIONS

WITHOUT CONTROL CODE	BUILT-IN THERMOSTAT CODE	240 V CONTROL CODE	24 V CONTROL CODE	POWER		VOLTAGE	MODEL
				WATTS	BTU/H	VOLTS	UNIT
AWF1501	AWF1501T	---	AWF1501C24	1500	5119	120	SINGLE
AWF1508	AWF1508T	AWF1508C	AWF1508C24	1500	5119	208	SINGLE
AWF1502	AWF1502T	AWF1502C	AWF1502C24	1500/1125	5119/3839	240/208	SINGLE
AWF1507	AWF1507T	AWF1507C	AWF1507C24	1500	5119	277	SINGLE
---	AWF1505CT	AWF1505C	AWF1505C24	1500	5119	480	SINGLE
AWF2008	AWF2008T	AWF2008C	AWF2008C24	2000	6825	208	SINGLE
AWF2002	AWF2002T	AWF2002C	AWF2002C24	2000/1500	6825/5119	240/208	SINGLE
AWF2007	AWF2007T	AWF2007C	AWF2007C24	2000	6825	277	SINGLE
---	AWF2005CT	AWF2005C	AWF2005C24	2000	6825	480	SINGLE
AWF3008	AWF3008T	AWF3008C	AWF3008C24	3000	10 238	208	SINGLE
AWF3002	AWF3002T	AWF3002C	AWF3002C24	3000/2250	10 238/7679	240/208	SINGLE
AWF3007	AWF3007T	AWF3007C	AWF3007C24	3000	10 238	277	SINGLE
---	AWF3005CT	AWF3005C	AWF3005C24	3000	10 238	480	SINGLE
AWF4008*	AWF4008T*	AWF4008C*	AWF4008C24*	4000	13 651	208	SINGLE
AWF4002*	AWF4002T*	AWF4002C*	AWF4002C24*	4000/3000	13 651/10 238	240/208	SINGLE
AWF4007*	AWF4007T*	AWF4007C*	AWF4007C24*	4000	13 651	277	SINGLE
---	AWF4005CT*	AWF4005C*	AWF4005C24*	4000	13 651	480	SINGLE
AWF4808	AWF4808T	AWF4808C	AWF4808C24	4800	16 381	208	SINGLE
AWF4802	AWF4802T	AWF4802C	AWF4802C24	4800/3600	16 381/12 285	240/208	SINGLE
AWF4807	AWF4807T	AWF4807C	AWF4807C24	4800	16 381	277	SINGLE
---	AWF4805CT	AWF4805C	AWF4805C24	4800	16 381	480	SINGLE
---	AWF6008CT	AWF6008C	AWF6008C24	6000	20 476	208	DOUBLE
---	AWF6002T	AWF6002C	AWF6002C24	6000/4500	20 476/15 357	240/208	DOUBLE
---	AWF6007T	AWF6007C	AWF6007C24	6000	20 476	277	DOUBLE
---	AWF6005CT	AWF6005C	AWF6005C24	6000	20 476	480	DOUBLE
---	AWF60083CT*	AWF60083C*	AWF60083C24*	6000	20 476	208	TRIPLE
---	AWF60053CT*	AWF60053C*	AWF60053C24*	6000	20 476	480	TRIPLE
---	AWF8008CT	AWF8008C	AWF8008C24	8000	27 302	208	DOUBLE
---	AWF8002CT	AWF8002C	AWF8002C24	8000/6000	27 302/20 476	240/208	DOUBLE
---	AWF8007CT	AWF8007C	AWF8007C24	8000	27 302	277	DOUBLE
---	AWF8005CT	AWF8005C	AWF8005C24	8000	27 302	480	DOUBLE
---	AWF90083CT*	AWF90083C*	AWF90083C24*	9000	30 714	208	TRIPLE
---	AWF90053CT*	AWF90053C*	AWF90053C24*	9000	30 714	480	TRIPLE
---	AWF12008CT	AWF12008C	AWF12008C24	12 000	40 952	208	TRIPLE
---	AWF12002CT	AWF12002C	AWF12002C24	12 000/9000	40 952/30 714	240/208	TRIPLE
---	AWF12007CT	AWF12007C	AWF12007C24	12 000	40 952	277	TRIPLE
---	AWF12005CT	AWF12005C	AWF12005C24	12 000	40 952	480	TRIPLE
---	AWF120083CT*	AWF120083C*	AWF120083C24*	12 000	40 952	208	TRIPLE
---	AWF120053CT*	AWF120053C*	AWF120053C24*	12 000	40 952	480	TRIPLE

Add W for white or SW for soft white (consult the optional colors chart or contact your Stelpro representative for all other colors).

* Three-phase unit * Dual wattage (4000/2000 W – 13 651/6825 BTU/HR)

--- not available

ACCESSORIES

PRODUCT	DESCRIPTION
WFT1	built-in single pole thermostat [120 V-600 V] (standard or tamper-proof)
WFT2	built-in double pole thermostat [120 V-600 V] (standard or tamper-proof)
WFA1*	surface adapter (single unit)
WFA2*	surface adapter (double unit)
WFA3*	surface adapter (triple unit)
WFDIS-30*	disconnect switch kit 600 V/30 A, 2 poles
WFDIS-40*	disconnect switch kit 600 V/40 A, 2 poles/3 poles
WFDIS-60*	disconnect switch kit 600 V/60 A, 2 poles/3 poles
WFC24RX*	relay kit without transformer 24 V

* Add W for white or SW for soft white

* Factory installed

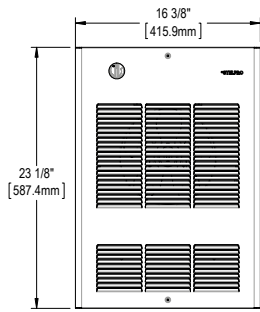


THROW DISTANCE AND HEAT RISE

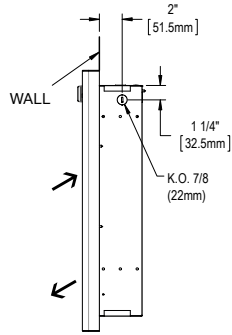
UNITS	THROW DISTANCE	HEAT RISE
KW	FT	°F
1.5	13'7"	30
2	13'7"	40
3	13'7"	59
4	13'7"	79
4.8	13'7"	95
6	13'7"	59
8	13'7"	79
9	13'7"	59
12	13'7"	79

TECHNICAL DRAWINGS

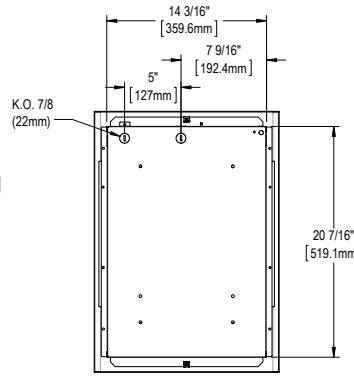
SINGLE UNIT



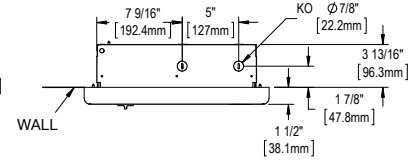
FRONT



SIDE

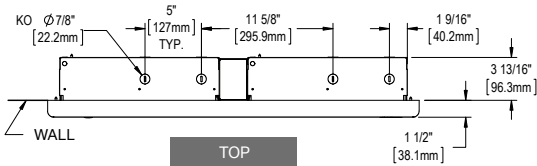


BACK

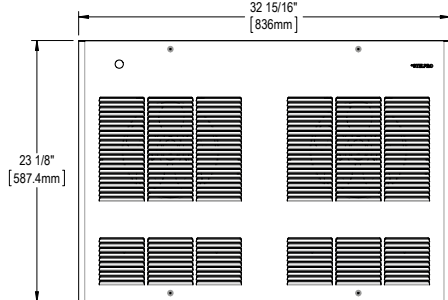


TOP

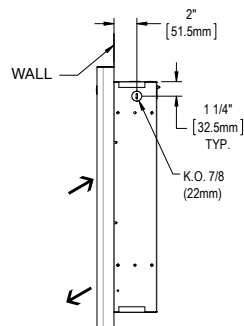
DOUBLE UNIT



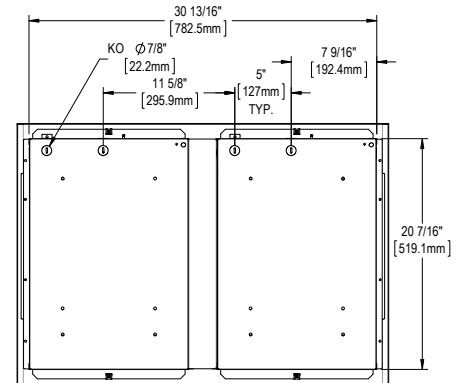
TOP



FRONT

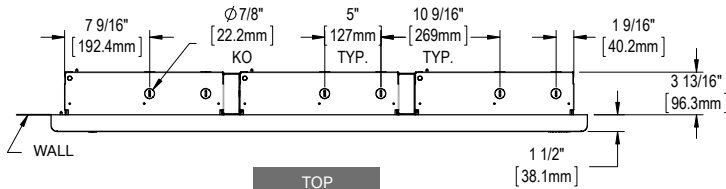


SIDE

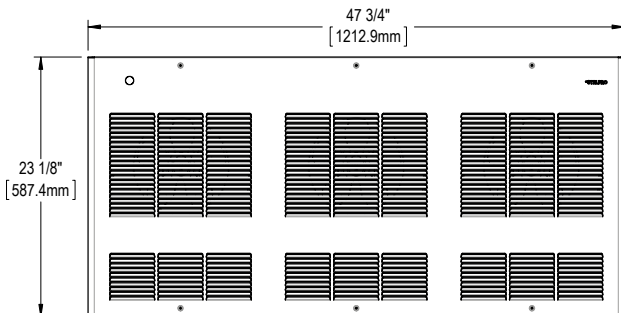


BACK

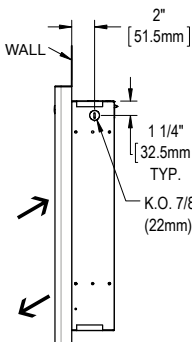
TRIPLE UNIT



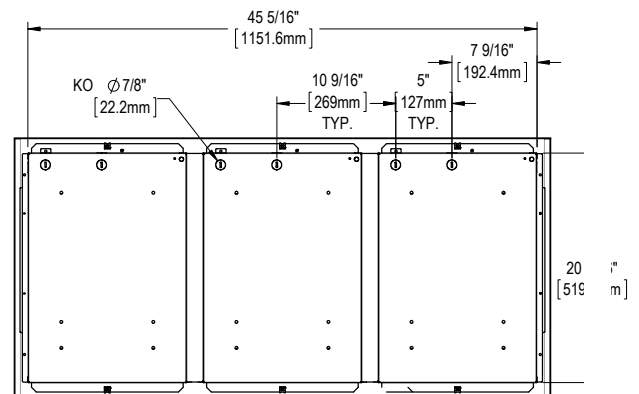
TOP



FRONT



SIDE



BACK

ACBH

CABINET HEATER



POWERFUL HEATER, IMPRESSIVE RESULTS

When you need a lot of high-efficiency heating, the ACBH is the right choice. Its resistant coating is well-suited to all types of commercial spaces and other high-traffic areas. This forced-air cabinet heater features unparalleled durability. It is also extremely versatile, with the option of recessed, semi-recessed or surface mounted installation, and a durable steel casing. The ACBH unit can be ceiling mounted when wall mounting is not an option. The ACBH ensures powerful, even air flow as the fan is coupled directly to the motor. The option of connecting it to a ventilation duct makes it even more adaptable. The CBH is your assurance of reliable heating for years to come.

■ POWERFUL WITH BIG AIRFLOW

■ MULTIPLE INSTALLATION OPTIONS RECESSED, SEMI-RECESSED, SURFACE MOUNTED TO A CEILING OR WALL

■ ROBUST AND DURABLE

COLOURS

- **standard:** white, soft white
- **Orora (optional):** refer to www.stelpro.com/en-CA/Orora

FINISH

- epoxy-polyester powdercoat

MANUFACTURING

- 18-gauge steel cabinet and 16-gauge steel front panel
- powerful motor with squirrel-cage blower and time-delay relay
- 1/15 hp (2 kW to 12 kW units); 1/5 hp (15 kW to 20 kW units)
- large variety of airflow configurations which are adaptable on the construction site
- thermal protection with automatic reset
- high intensity (factory setting)
- low intensity available when manufactured with high/low selection switch (optional)

ELEMENT

- nichrome element producing instant heat

CONTROL

- high/low switch (heating and ventilation) (available from 4 kW)
- connection of multiple units to the same thermostat is possible with a relay kit without transformer (optional) and an external transformer (not provided)

INSTALLATION

- wall mounted
- ceiling mounted (maximum 12 ft. in height)
- surface mounted
- recessed or semi-recessed with four-piece trim frame (optional)

WARRANTY

- three years

IDEAL FOR:

commercial space, hospital, shopping centre, school, sports arena

TECHNICAL SPECIFICATIONS

BUILT-IN THERMOSTAT	240 V CONTROL	24 V CONTROL		POWER	
CODE	CODE	CODE	VOLTS	KW	BTU/H
24 IN. MODELS (2 KW TO 6 KW) / CFM 300 / 77 LB					
ACBH0281CT	ACBH0281C	ACBH0281C24	208	2	6825
ACBH0283CT*	ACBH0283C*	ACBH0283C24*	208	2	6825
ACBH0221CT	ACBH0221C	ACBH0221C24	240	2	6825
ACBH0271CT	ACBH0271C	ACBH0271C24	277	2	6825
ACBH0251CT	ACBH0251C	ACBH0251C24	480	2	6825
ACBH0253CT*	ACBH0253C*	ACBH0253C24*	480	2	6825
ACBH0381CT	ACBH0381C	ACBH0381C24	208	3	10 238
ACBH0383CT*	ACBH0383C*	ACBH0383C24*	208	3	10 238
ACBH0321CT	ACBH0321C	ACBH0321C24	240	3	10 238
ACBH0371CT	ACBH0371C	ACBH0371C24	277	3	10 238
ACBH0351CT	ACBH0351C	ACBH0351C24	480	3	10 238
ACBH0353CT*	ACBH0353C*	ACBH0353C24*	480	3	10 238
ACBH0481CT	ACBH0481C	ACBH0481C24	208	4	13 648
ACBH0483CT*	ACBH0483C*	ACBH0483C24*	208	4	13 648
ACBH0421CT	ACBH0421C	ACBH0421C24	240	4	13 648
ACBH0471CT	ACBH0471C	ACBH0471C24	277	4	13 648
ACBH0451CT	ACBH0451C	ACBH0451C24	480	4	13 648
ACBH0453CT*	ACBH0453C*	ACBH0453C24*	480	4	13 648
ACBH0581CT	ACBH0581C	ACBH0581C24	208	5	17 064
ACBH0583CT*	ACBH0583C*	ACBH0583C24*	208	5	17 064
ACBH0521CT	ACBH0521C	ACBH0521C24	240	5	17 064
ACBH0571CT	ACBH0571C	ACBH0571C24	277	5	17 064
ACBH0551CT	ACBH0551C	ACBH0551C24	480	5	17 064
ACBH0553CT*	ACBH0553C*	ACBH0553C24*	480	5	17 064
ACBH0681CT	ACBH0681C	ACBH0681C24	208	6	20 476
ACBH0683CT*	ACBH0683C*	ACBH0683C24*	208	6	20 476
ACBH0621CT	ACBH0621C	ACBH0621C24	240	6	20 476
ACBH0671CT	ACBH0671C	ACBH0671C24	277	6	20 476
ACBH0651CT	ACBH0651C	ACBH0651C24	480	6	20 476
ACBH0653CT*	ACBH0653C*	ACBH0653C24*	480	6	20 476
36 IN. MODELS (8 KW TO 12 KW) / CFM 600 / 95 LB					
ACBH0881CT	ACBH0881C	ACBH0881C24	208	8	27 302
ACBH0883CT*	ACBH0883C*	ACBH0883C24*	208	8	27 302
ACBH0821CT	ACBH0821C	ACBH0821C24	240	8	27 302
ACBH0871CT	ACBH0871C	ACBH0871C24	277	8	27 302
ACBH0851CT	ACBH0851C	ACBH0851C24	480	8	27 302
ACBH0853CT*	ACBH0853C*	ACBH0853C24*	480	8	27 302
ACBH1081CT	ACBH1081C	ACBH1081C24	208	10	34 127
ACBH1083CT*	ACBH1083C*	ACBH1083C24*	208	10	34 127
ACBH1021CT	ACBH1021C	ACBH1021C24	240	10	34 127
ACBH1071CT	ACBH1071C	ACBH1071C24	277	10	34 127
ACBH1051CT	ACBH1051C	ACBH1051C24	480	10	34 127
ACBH1053CT*	ACBH1053C*	ACBH1053C24*	480	10	34 127
ACBH1283CT*	ACBH1283C*	ACBH1283C24*	208	12	40 952
ACBH1221CT	ACBH1221C	ACBH1221C24	240	12	40 952
ACBH1271CT	ACBH1271C	ACBH1271C24	277	12	40 952
ACBH1253CT*	ACBH1253C*	ACBH1253C24*	480	12	40 952
48 IN. MODELS (15 KW TO 20 KW) / CFM 1000 / 112 LB					
ACBH1583CT*	ACBH1583C*	ACBH1583C24*	208	15	51 191
ACBH1521CT	ACBH1521C	ACBH1521C24	240	15	51 191
ACBH1571CT	ACBH1571C	ACBH1571C24	277	15	51 191
ACBH1553CT*	ACBH1553C*	ACBH1553C24*	480	15	51 191
ACBH1883CT*	ACBH1883C*	ACBH1883C24*	208	18	61 429
ACBH1821CT	ACBH1821C	ACBH1821C24	240	18	61 429
ACBH1871CT	ACBH1871C	ACBH1871C24	277	18	61 429
ACBH1853CT*	ACBH1853C*	ACBH1853C24*	480	18	61 429
ACBH2083CT*	ACBH2083C*	ACBH2083C24*	208	20	68 254
ACBH2021CT	ACBH2021C	ACBH2021C24	240	20	68 254
ACBH2071CT	ACBH2071C	ACBH2071C24	277	20	68 254
ACBH2053CT*	ACBH2053C*	ACBH2053C24*	480	20	68 254

Add W for white or SW for soft white (consult the optional colors chart or contact your Stelpro representative for all other colors).

* Three-phase unit

Stelpro reserves the right to modify descriptions, manufacturing specifications or prices without prior notice. **No returns accepted on optional-color products.**
For all the latest models and prices, please refer to our website at www.stelpro.com.



ACCESSORIES

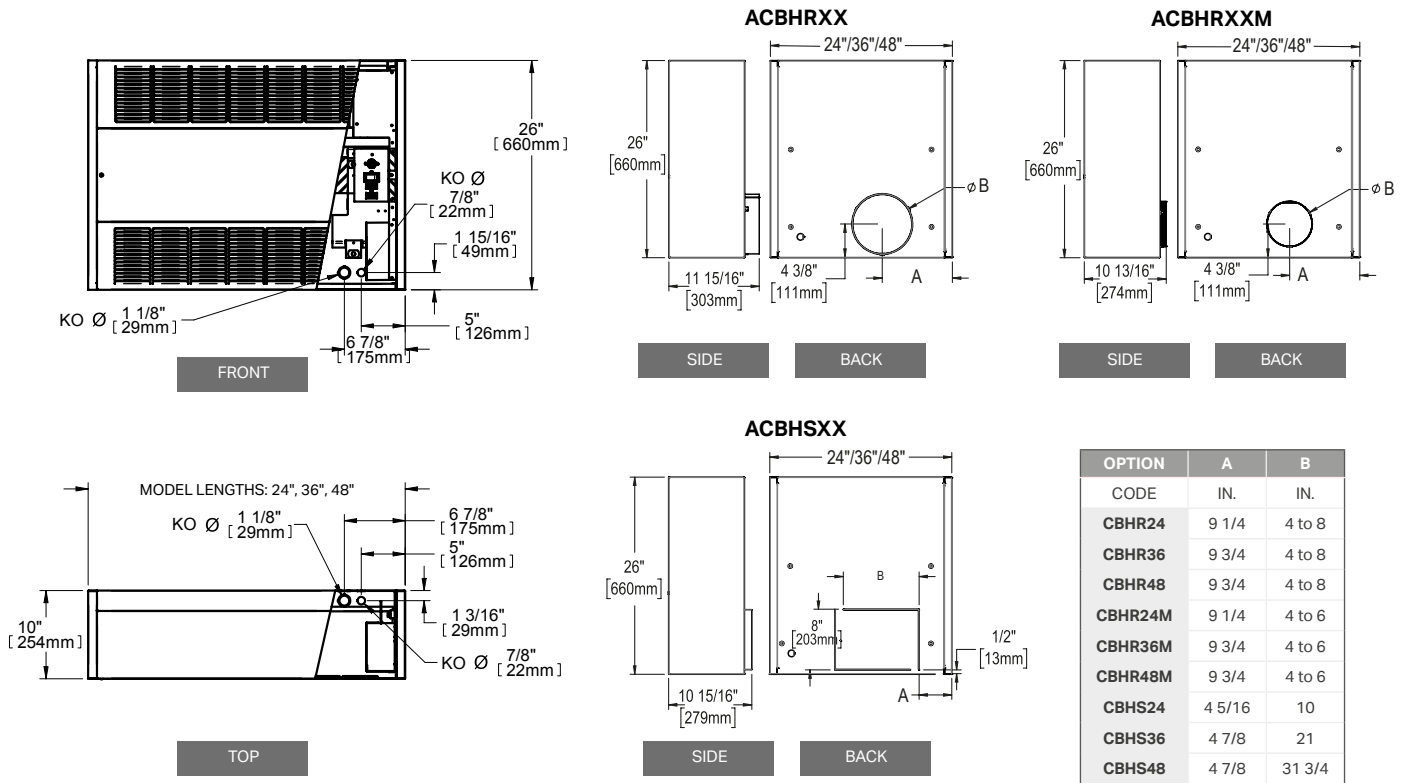
PRODUCT	DESCRIPTION
CBHT1	built-in tamper-proof single pole thermostat
CBHFS*	fan switch
CBHMS*	on/off switch
CBHHL*	high/low switch (available from 4 kW)
CBHTB24*	four-piece trim frame (24 in. – 610 mm units)
CBHTB36*	four-piece trim frame (36 in. – 914 mm units)
CBHTB48*	four-piece trim frame (48 in. – 1219 mm units)
CBHSB24*	sub-base (24 in. – 610 mm units)
CBHSB36*	sub-base (36 in. – 914 mm units)
CBHSB48*	sub-base (48 in. – 1219 mm units)
CBHCB24**	clean back (fully finished, no mounting holes or knockouts) (24 in. – 610 mm units)
CBHCB36**	clean back (fully finished, no mounting holes or knockouts) (36 in. – 914 mm units)
CBHCB48**	clean back (fully finished, no mounting holes or knockouts) (48 in. – 1219 mm units)
CBHC24RX*	relay kit without transformer 24 V
CBHDIS 80A*	built-in disconnect switch [80 A]
CBHR24M*	motorized fresh air damper for 24 inch unit – round collar (4 to 6 in.) (for FF, FT or FB configurations only)
CBHR36M*	motorized fresh air damper for 36 inch unit – round collar (4 to 6 in.) (for FF, FT or FB configurations only)
CBHR48M*	motorized fresh air damper for 48 inch unit – round collar (4 to 6 in.) (for FF, FT or FB configurations only)
CBHS24*	fresh air inlet for 24 inch unit – square collar (max 10 in. L x 8 in. H)
CBHS36*	fresh air inlet for 36 inch unit – square collar (max 21 in. L x 8 in. H)
CBHS48*	fresh air inlet for 48 inch unit – square collar (max 31 3/4 in. L x 8 in. H)
CBHR24*	fresh air inlet for 24 inch unit – round collar (4 to 8 in.)
CBHR36*	fresh air inlet for 36 inch unit – round collar (4 to 8 in.)
CBHR48*	fresh air inlet for 48 inch unit – round collar (4 to 8 in.)

* Add W for white or SW for soft white. * Factory installed

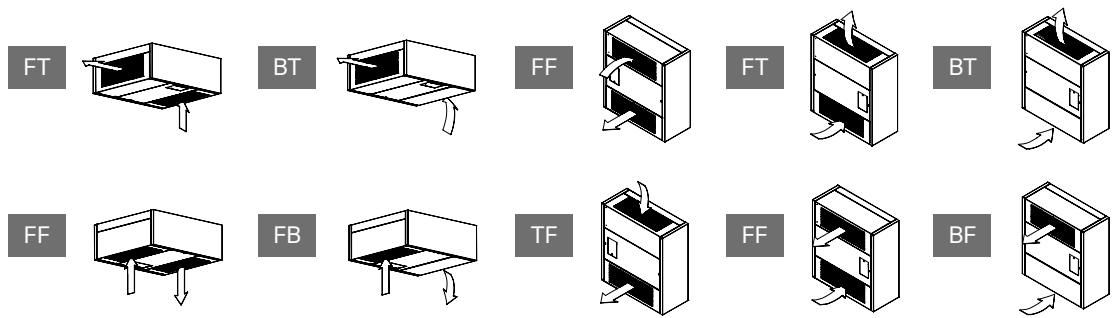
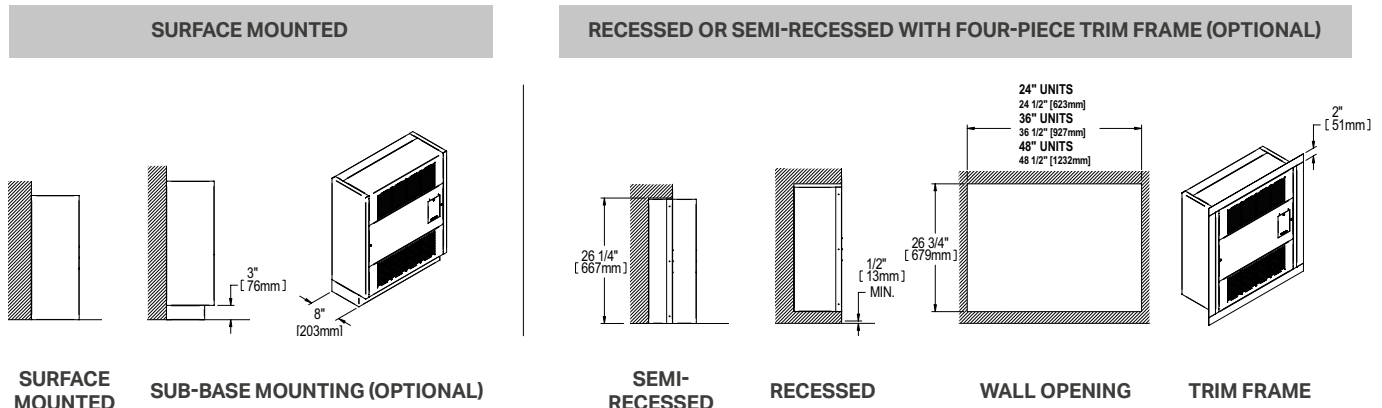
HEAT RISE AND AIRFLOW

UNITS		AIRFLOW
KW	°F	CFM
2	21	300
3	32	300
4	42	300
5	53	300
6	63	300
8	42	600
10	53	600
12	63	600
15	47	1000
18	57	1000
20	63	1000

TECHNICAL DRAWINGS



INSTALLATION



SEVERAL AIRFLOW CONFIGURATIONS ARE POSSIBLE AND ADAPTABLE ON CONSTRUCTION SITE:
F = FRONT, T = TOP, B = BOTTOM

ACF

CEILING FAN HEATER



THE SPACE-SAVER

Stelpro has the perfect space-saving solution for heating small entryways, hallways and lobbies: the sturdy, reliable ACF ceiling fan heater. Built to last, the ACF pushes heat downward so that it mixes with the cold air below. It can be surface mounted or recessed into conventional ceilings or recessed in suspended ceilings. Whether installed in an entryway or hallway, the ACF provides all the heat you need in an enclosed space.

- **GRILLE WITH ROUNDED SIDES**
DURABLE AND STYLISH
- **THE PERFECT SOLUTION FOR ENTRYWAYS AND HALLWAYS**
- **CEILING MOUNTED**
PREVENTS VANDALISM
- **MULTIPLE INSTALLATION OPTIONS**
CAN BE SURFACE MOUNTED OR RECESSED – OR RECESSED IN A SUSPENDED CEILING
- **OPTIONAL DISCONNECT SWITCH AVAILABLE**

COLORS

- **standard:** white, soft white
- **Orora (optional):** refer to www.stelpro.com/en-US/Orora

FINISH

- epoxy-polyester powdercoat

MANUFACTURING

- 20-gauge steel cabinet and 18-gauge steel grille
- fan: 1 x 160 CFM (single unit) – 2 x 160 CFM (double unit)
- closed and permanently lubricated motor
- thermal protection with automatic reset

ELEMENT

- nichrome element producing instant heat

CONTROL

- connection of multiple units to the same thermostat is possible with a relay kit without transformer (optional) and an external transformer (not provided)
- built-in thermostat (optional), 3 control knobs included (white, soft white and black) for standard installation, without knob for tamper-proof installation

INSTALLATION

- ceiling
- recessed or surface mounted with surface adapter (optional)
- T-Bar adapter (optional)

WARRANTY

- three years



ROUNDED SIDES

IDEAL FOR:

entryway, hallway, corridor, office building

°STELPRO

TECHNICAL SPECIFICATIONS

WITHOUT CONTROL	BUILT-IN THERMOSTAT	240 V CONTROL	24 V CONTROL	POWER		VOLTAGE	MODEL
				WATTS	BTU/H		
CODE	CODE	CODE	CODE			VOLTS	UNIT
ACF1501	ACF1501T	---	ACF1501C24	1500	5119	120	SINGLE
ACF1508	ACF1508T	ACF1508C	ACF1508C24	1500	5119	208	SINGLE
ACF1502	ACF1502T	ACF1502C	ACF1502C24	1500/1125	5119/3839	240/208	SINGLE
ACF1507	ACF1507T	ACF1507C	ACF1507C24	1500	5119	277	SINGLE
---	ACF1505CT	ACF1505C	ACF1505C24	1500	5119	480	SINGLE
ACF2008	ACF2008T	ACF2008C	ACF2008C24	2000	6825	208	SINGLE
ACF2002	ACF2002T	ACF2002C	ACF2002C24	2000/1500	6825/5119	240/208	SINGLE
ACF2007	ACF2007T	ACF2007C	ACF2007C24	2000	6825	277	SINGLE
---	ACF2005CT	ACF2005C	ACF2005C24	2000	6825	480	SINGLE
ACF3008	ACF3008T	ACF3008C	ACF3008C24	3000	10 238	208	SINGLE
ACF3002	ACF3002T	ACF3002C	ACF3002C24	3000/2250	10 238/7679	240/208	SINGLE
ACF3007	ACF3007T	ACF3007C	ACF3007C24	3000	10 238	277	SINGLE
---	ACF3005CT	ACF3005C	ACF3005C24	3000	10 238	480	SINGLE
ACF4008*	ACF4008T*	ACF4008C*	ACF4008C24*	4000	13 651	208	SINGLE
ACF4002*	ACF4002T*	ACF4002C*	ACF4002C24*	4000/3000	13 651/10 238	240/208	SINGLE
ACF4007*	ACF4007T*	ACF4007C*	ACF4007C24*	4000	13 651	277	SINGLE
---	ACF4005CT*	ACF4005C*	ACF4005C24*	4000	13 651	480	SINGLE
---	ACF6008CT	ACF6008C	ACF6008C24	6000	20 476	208	DOUBLE
---	ACF6002T	ACF6002C	ACF6002C24	6000/4500	20 476/15 357	240/208	DOUBLE
---	ACF6007T	ACF6007C	ACF6007C24	6000	20 476	277	DOUBLE
---	ACF6005CT	ACF6005C	ACF6005C24	6000	20 476	480	DOUBLE
---	ACF8008CT	ACF8008C	ACF8008C24	8000	27 302	208	DOUBLE
---	ACF8002CT	ACF8002C	ACF8002C24	8000/6000	27 302/20 476	240/208	DOUBLE
---	ACF8007CT	ACF8007C	ACF8007C24	8000	27 302	277	DOUBLE
---	ACF8005CT	ACF8005C	ACF8005C24	8000	27 302	480	DOUBLE

Add W for white or SW for soft white (consult the optional colors chart or contact your Stelpro representative for all other colors).

* Dual wattage (4000/2000 W – 13 651/6825 BTU/H)

--- not available

ACCESSORIES

PRODUCT	DESCRIPTION
WFT1	built-in single pole thermostat [120 V – 600 V] (standard or tamper-proof)
WFT2	built-in double pole thermostat [120 V – 600 V] (standard or tamper-proof)
WFSA1*	surface adapter (single unit)
WFSA2*	surface adapter (double unit)
WFDIS-30*	disconnect switch kit 600 V/30 A, 2 poles
WFDIS-40*	disconnect switch kit 600 V/40 A, 2 poles/3 poles
WFDIS-60*	disconnect switch kit 600 V/60 A, 2 poles/3 poles
CFTBA1*	T-Bar adapter (single unit)
CFTBA2*	T-Bar adapter (double unit)
WFC24RX*	relay kit without transformer 24 V

* Add W for white or SW for soft white

* Factory installed

THROW DISTANCE AND HEAT RISE

UNITS	THROW DISTANCE	HEAT RISE
KW	FT	°F
1.5	13'7"	30
2	13'7"	40
3	13'7"	59
4	13'7"	79
4.8	13'7"	95
6	13'7"	59
8	13'7"	79
9	13'7"	59
12	13'7"	79



Stelpro reserves the right to modify descriptions, manufacturing specifications or prices without prior notice. No returns accepted on optional-color products. For all the latest models and prices, please refer to our website at www.stelpro.com.

ASDC

COMMERCIAL AIR CURTAIN



BIG ON COMFORT, BIG ON LOOKS!

Installed above sliding windows, the ASDC's "air curtain" is the perfect solution for restaurant drive-throughs across Canada. The ASDC puts instant heating control at your fingertips! It's ideal for commercial buildings and restaurant lobbies, and it's particularly suited for the special heating requirements of hospitals and schools. High-intensity heating capacity, even air flow and overall efficiency are its hallmarks, with an output of 1500 LFM powered by 5000 W. It's a heating powerhouse!

- **PERFECT FOR RESTAURANT DRIVE-THROUGHS**
- **"AIR CURTAIN" PREVENTS INTRODUCTION OF COLD AIR**
- **HIGH-CAPACITY (1500 LFM) YET SMALL**
- **EASY MAINTENANCE**
- **EASILY ACCESSIBLE CONTROLS**

COLORS

- **standard:** white, soft white
- **Orora (optional):** refer to www.stelpro.com/en-US/Orora

FINISH

- epoxy-polyester powdercoat

MANUFACTURING

- 18-gauge steel cabinet
- easy access to all components and easy maintenance via the front cover
- centrifugal fan
- thermal protection with automatic reset

ELEMENT

- nichrome element producing instant heat

CONTROL

- high/low switch
- on/off switch
- fan/heat or fan only switch
- 24V circuit (included with the C24 series) can be used with an external low voltage door contact (not provided)
- built-in thermostat (included with CT series)

INSTALLATION

- wall mounted (mounting bracket included)
- suspended with four 3/8 in. threaded rods (not provided)

WARRANTY

- three years



Periodic maintenance of air vents is highly recommended to ensure the maximum performance of the device.

IDEAL FOR:

restaurant drive-through, lobby, hospital, commercial space

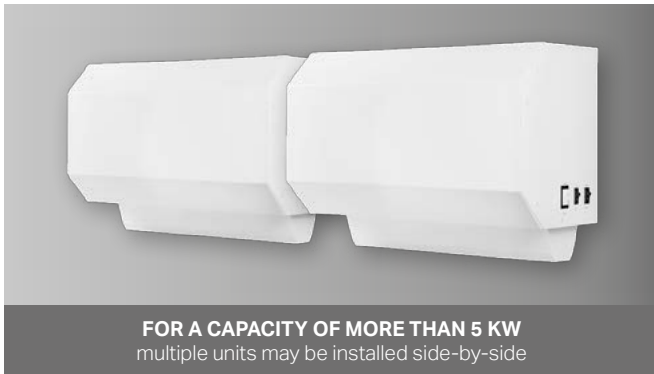
TECHNICAL SPECIFICATIONS

BUILT-IN THERMOSTAT	240 V CONTROL	24 V CONTROL	POWER		VOLTAGE	PHASE	LENGTH	WEIGHT	AIR SPEED
			WATTS	BTU/H					
ASDC0581CT	ASDC0581C	ASDC0581C24	5000/2500	17 065/8533	208	1	24 1/8	52	1500
ASDC0583CT	ASDC0583C	ASDC0583C24	5000/2500	17 065/8533	208	3	24 1/8	52	1500
ASDC0521CT	ASDC0521C	ASDC0521C24	5000/2500	17 065/8533	240	1	24 1/8	52	1500
ASDC0571CT	ASDC0571C	ASDC0571C24	5000/2500	17 065/8533	277	1	24 1/8	52	1500
ASDC0551CT	ASDC0551C	ASDC0551C24	5000/2500	17 065/8533	480	1	24 1/8	52	1500
ASDC0553CT	ASDC0553C	ASDC0553C24	5000/2500	17 065/8533	480	3	24 1/8	52	1500

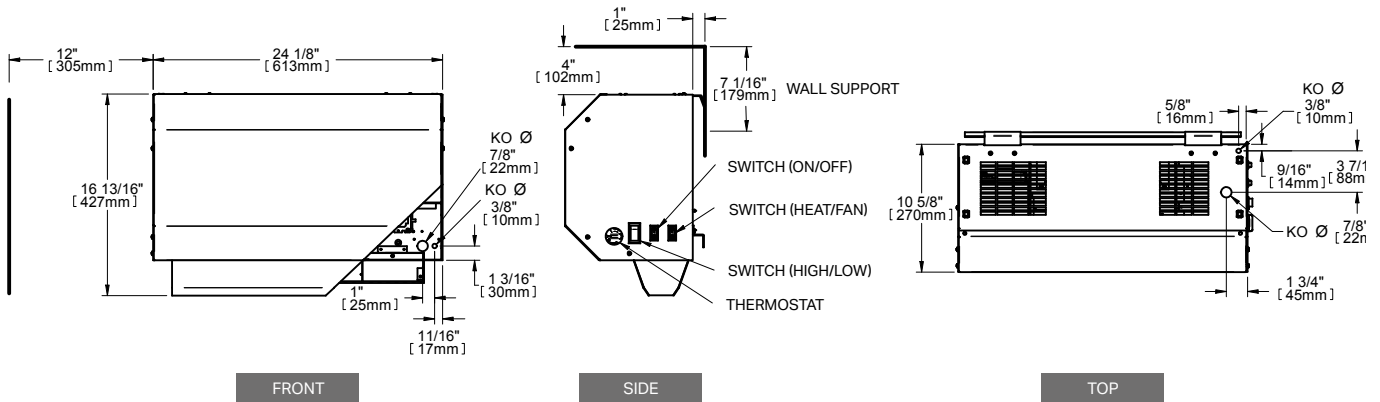
Add W for white or SW for soft white (consult the optional colors chart or contact your Stelpro representative for all other colors).

THROW DISTANCE AND HEAT RISE

UNITS	THROW DISTANCE	HEAT RISE
KW	FT	°F
5	40	11



TECHNICAL DRAWINGS



ARUH – OXFORD™

COMMERCIAL AND RESIDENTIAL UNIT HEATER



OXFORD™
SERIES | SÉRIE



A VERSATILE WORKHORSE

The ARUH unit heater is small on price and big on heat. These heavy-duty units are well suited to situations where large amounts of heat must be provided in wide open spaces such as garages, workshops, commercial warehouses and construction sites. This unit has a powerful output up to 5000 W with a voltage of 240/208. The ARUH has adjustable louvers that allow you to direct heat right from the source. With or without a built-in thermostat, it provides instant heat. Quiet, lightweight and easy-to-install with a universal wall or ceiling mounting bracket, this unit heater is everything you expect for less. Guaranteed productivity!

- **INSTANT HEAT**
- **ADJUSTABLE LOUVERS ALLOW YOU TO DIRECT HEAT**
- **WALL OR CEILING INSTALLATION SUPPORT BRACKET INCLUDED**
- **CLOSED AND PERMANENTLY LUBRICATED MOTOR**
- **2 KW TO 5 KW MODELS AVAILABLE**

COLOR

- charcoal

FINISH

- epoxy-polyester powdercoat

MANUFACTURING

- 20-gauge steel cabinet
- closed and permanently lubricated motor
- 350 CFM quiet helicoidal fan
- adjustable louvers
- thermal protection with automatic reset

ELEMENT

- nichrome element produces instant heat

CONTROL

- built-in thermostat (included with T series)
- wall thermostat (not included)

INSTALLATION

- wall or ceiling mounted with universal mounting bracket (included with unit)

WARRANTY

- three years

IDEAL FOR:

construction site, garage, workshop, small commercial space

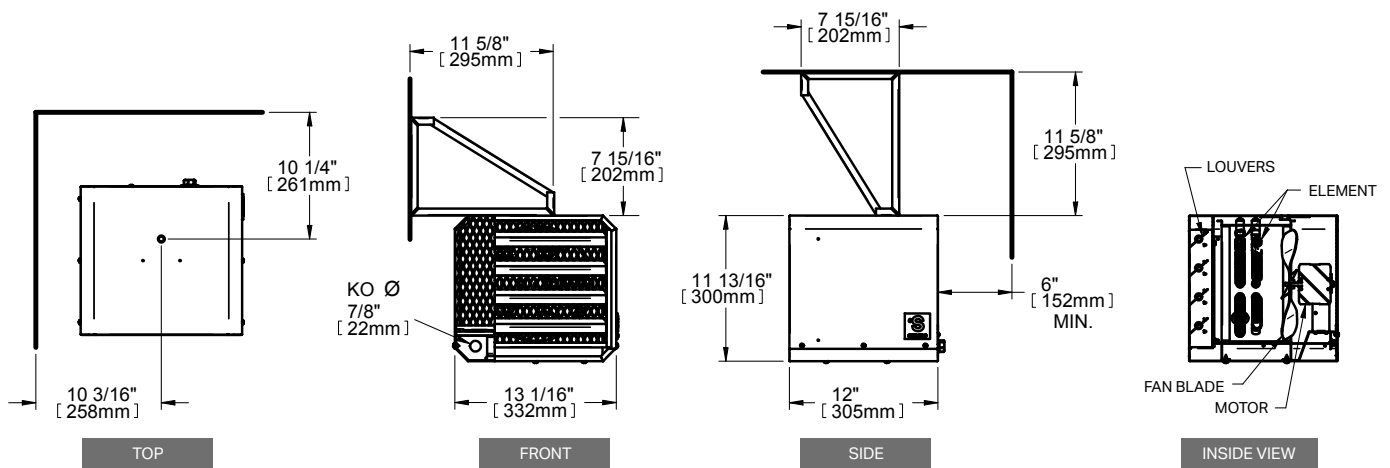
°**STELPRO**



TECHNICAL SPECIFICATIONS

WITHOUT CONTROL	BUILT-IN THERMOSTAT	24 V CONTROL	POWER		PHASE	FLOW	VOLTAGE	THROW DISTANCE	HEAT RISE	WEIGHT
CODE	CODE	CODE	WATTS	BTU/H	NB	CFM	VOLTS	FT	°F	LB
ARUH2CHAR	ARUH2TCHAR	ARUH2C24CHAR	2000/1500	6825/5119	1	350	240/208	10	18	20
ARUH3CHAR	ARUH3TCHAR	ARUH3C24CHAR	3000/2250	10 238/7679	1	350	240/208	10	27	20
ARUH4CHAR	ARUH4TCHAR	ARUH4C24CHAR	4000/3000	13 651/10 238	1	350	240/208	10	36	20
ARUH5CHAR	ARUH5TCHAR	ARUH5C24CHAR	5000/3750	17 064/12 798	1	350	240/208	10	45	20

TECHNICAL DRAWINGS



ASHU – OXFORD™

COMMERCIAL AND INDUSTRIAL UNIT HEATER



OXFORD™
SERIES | SÉRIE



THE POWER OF DISPERSION

Stelpro designs heaters for all circumstances. Take the ASHU, the large volume heater that is distinguished by its appealing appearance, its manufacturing and its sturdy composition. It is usually installed in large garages, but it is not uncommon for it to be seen in warehouses or any other kind of commercial construction site requiring a generous volume of heat. The ASHU works with great ease and has an incredible power scale from 2 kW to 60 kW. What could be better!

- **INSTANT HEAT**
- **PERMANENTLY LUBRICATED MOTOR**
- **WIDE RANGE OF POWER:
2 KW TO 60 KW**
- **WALL OR CEILING INSTALLATION
BRACKET INCLUDED**

COLOR

- charcoal

FINISH

- epoxy-polyester powdercoat

MANUFACTURING

- heavy-duty, 18-gauge steel cabinet
- adjustable louvers and protective screen
- thermal protection with automatic reset

MOTOR

- permanently enclosed lubricated ball bearing motor for long-lasting operation

ELEMENT

- nichrome element produces instant heat

CONTROL

- connection of multiple units to the same thermostat is possible with a relay kit without transformer (optional) and an external transformer (not provided)

INSTALLATION

- wall or ceiling mounted with universal mounting bracket (included)
- minimum distance from adjacent walls: 6 in. (2 kW to 30 kW units), 12 in. (40 kW to 60 kW units)
- mounting heights: 2 to 8 ft. (2 kW to 10 kW units), 2 to 10 ft. (15 kW to 30 kW units), 15 to 20 ft. (40 kW to 60 kW units)

WARRANTY

- three years

IDEAL FOR:

warehouse, factory, indoor parking garage, large industrial and commercial spaces, crawl space

°**STELPRO**

TECHNICAL SPECIFICATIONS

WITHOUT CONTROL	BUILT-IN THERMOSTAT	240 V CONTROL	24 V CONTROL	VOLTAGE	POWER	FLOW	
CODE	CODE	CODE	CODE	VOLTS	KW	BTU/H	CFM
ASHU0281CHAR	ASHU0281TCHAR	ASHU0281CCHAR	ASHU0281C24CHAR	208	2	6825	250
---	ASHU0283CTCHAR*	ASHU0283CCHAR*	ASHU0283C24CHAR*	208	2	6825	250
ASHU0221CHAR	ASHU0221TCHAR	ASHU0221CCHAR	ASHU0221C24CHAR	240/208	2/1.5	6825/5119	250
---	ASHU0223CTCHAR*	ASHU0223CCHAR*	ASHU0223C24CHAR*	240/208	2/1.5	6825/5119	250
ASHU0271CHAR	ASHU0271TCHAR	ASHU0271CCHAR	ASHU0271C24CHAR	277	2	6825	250
---	ASHU0251CTCHAR	ASHU0251CCHAR	ASHU0251C24CHAR	480	2	6825	250
---	ASHU0253CTCHAR*	ASHU0253CCHAR*	ASHU0253C24CHAR*	480	2	6825	250
---	ASHU0261CTCHAR	ASHU0261CCHAR	ASHU0261C24CHAR	600	2	6825	250
---	ASHU0263CTCHAR*	ASHU0263CCHAR*	ASHU0263C24CHAR*	600	2	6825	250
ASHU0381CHAR	ASHU0381TCHAR	ASHU0381CCHAR	ASHU0381C24CHAR	208	3	10 238	250
---	ASHU0383CTCHAR*	ASHU0383CCHAR*	ASHU0383C24CHAR*	208	3	10 238	250
ASHU0321CHAR	ASHU0321TCHAR	ASHU0321CCHAR	ASHU0321C24CHAR	240/208	3/2.3	10 238/7679	250
---	ASHU0323CTCHAR*	ASHU0323CCHAR*	ASHU0323C24CHAR*	240/208	3/2.3	10 238/7679	250
ASHU0371CHAR	ASHU0371TCHAR	ASHU0371CCHAR	ASHU0371C24CHAR	277	3	10 238	250
---	ASHU0351CTCHAR	ASHU0351CCHAR	ASHU0351C24CHAR	480	3	10 238	250
---	ASHU0353CTCHAR*	ASHU0353CCHAR*	ASHU0353C24CHAR*	480	3	10 238	250
---	ASHU0361CTCHAR	ASHU0361CCHAR	ASHU0361C24CHAR	600	3	10 238	250
---	ASHU0363CTCHAR*	ASHU0363CCHAR*	ASHU0363C24CHAR*	600	3	10 238	250
ASHU0481CHAR	ASHU0481TCHAR	ASHU0481CCHAR	ASHU0481C24CHAR	208	4	13 651	250
---	ASHU0483CTCHAR*	ASHU0483CCHAR*	ASHU0483C24CHAR*	208	4	13 651	250
ASHU0421CHAR	ASHU0421TCHAR	ASHU0421CCHAR	ASHU0421C24CHAR	240/208	4/3	13 651/10 238	250
---	ASHU0423CTCHAR*	ASHU0423CCHAR*	ASHU0423C24CHAR*	240/208	4/3	13 651/10 238	250
ASHU0471CHAR	ASHU0471TCHAR	ASHU0471CCHAR	ASHU0471C24CHAR	277	4	13 651	250
---	ASHU0451CTCHAR	ASHU0451CCHAR	ASHU0451C24CHAR	480	4	13 651	250
---	ASHU0453CTCHAR*	ASHU0453CCHAR*	ASHU0453C24CHAR*	480	4	13 651	250
---	ASHU0461CTCHAR	ASHU0461CCHAR	ASHU0461C24CHAR	600	4	13 651	250
---	ASHU0463CTCHAR*	ASHU0463CCHAR*	ASHU0463C24CHAR*	600	4	13 651	250
---	ASHU0581TCHAR	ASHU0581CCHAR	ASHU0581C24CHAR	208	5	17 064	450
---	ASHU0583CTCHAR*	ASHU0583CCHAR*	ASHU0583C24CHAR*	208	5	17 064	450
ASHU0521CHAR	ASHU0521TCHAR	ASHU0521CCHAR	ASHU0521C24CHAR	240/208	5/3.8	17 064/12 798	450
---	ASHU0523CTCHAR*	ASHU0523CCHAR*	ASHU0523C24CHAR*	240/208	5/3.8	17 064/12 798	450
ASHU0571CHAR	ASHU0571TCHAR	ASHU0571CCHAR	ASHU0571C24CHAR	277	5	17 064	450
---	ASHU0551CTCHAR	ASHU0551CCHAR	ASHU0551C24CHAR	480	5	17 064	450
---	ASHU0553CTCHAR*	ASHU0553CCHAR*	ASHU0553C24CHAR*	480	5	17 064	450
---	ASHU0561CTCHAR	ASHU0561CCHAR	ASHU0561C24CHAR	600	5	17 064	450
---	ASHU0563CTCHAR*	ASHU0563CCHAR*	ASHU0563C24CHAR*	600	5	17 064	450
---	ASHU0781CTCHAR	ASHU0781CCHAR	ASHU0781C24CHAR	208	7.5	25 595	700
---	ASHU0783CTCHAR*	ASHU0783CCHAR*	ASHU0783C24CHAR*	208	7.5	25 595	700
---	ASHU0721CTCHAR	ASHU0721CCHAR	ASHU0721C24CHAR	240/208	7.5/5.6	25 595/19 196	700
---	ASHU0723CTCHAR*	ASHU0723CCHAR*	ASHU0723C24CHAR*	240/208	7.5/5.6	25 595/19 196	700
---	ASHU0771CTCHAR	ASHU0771CCHAR	ASHU0771C24CHAR	277	7.5	25 595	700
---	ASHU0751CTCHAR	ASHU0751CCHAR	ASHU0751C24CHAR	480	7.5	25 595	700
---	ASHU0753CTCHAR*	ASHU0753CCHAR*	ASHU0753C24CHAR*	480	7.5	25 595	700
---	ASHU0761CTCHAR	ASHU0761CCHAR	ASHU0761C24CHAR	600	7.5	25 595	700
---	ASHU0763CTCHAR*	ASHU0763CCHAR*	ASHU0763C24CHAR*	600	7.5	25 595	700
---	ASHU1081CTCHAR	ASHU1081CCHAR	ASHU1081C24CHAR	208	10	34 127	700
---	ASHU1083CTCHAR*	ASHU1083CCHAR*	ASHU1083C24CHAR*	208	10	34 127	700
---	ASHU1021CTCHAR	ASHU1021CCHAR	ASHU1021C24CHAR	240/208	10/7.5	34 127/25 595	700
---	ASHU1023CTCHAR*	ASHU1023CCHAR*	ASHU1023C24CHAR*	240/208	10/7.5	34 127/25 595	700
---	ASHU1071CTCHAR	ASHU1071CCHAR	ASHU1071C24CHAR	277	10	34 127	700
---	ASHU1051CTCHAR	ASHU1051CCHAR	ASHU1051C24CHAR	480	10	34 127	700
---	ASHU1053CTCHAR*	ASHU1053CCHAR*	ASHU1053C24CHAR*	480	10	34 127	700
---	ASHU1061CTCHAR	ASHU1061CCHAR	ASHU1061C24CHAR	600	10	34 127	700
---	ASHU1063CTCHAR*	ASHU1063CCHAR*	ASHU1063C24CHAR*	600	10	34 127	700

* Three-phase unit that can be field-converted to a single phase unit
 * Three-phase unit
 --- not available

TECHNICAL SPECIFICATIONS

BUILT-IN THERMOSTAT	240 V CONTROL	24 V CONTROL	VOLTAGE	POWER		FLOW
CODE	CODE	CODE	VOLTS	KW	BTU/H	CFM
ASHU1581CTCHAR	ASHU1581CCHAR	ASHU1581C24CHAR	208	15	51 191	1300
ASHU1583CTCHAR*	ASHU1583CCHAR*	ASHU1583C24CHAR*	208	15	51 191	1300
ASHU1521CTCHAR	ASHU1521CCHAR	ASHU1521C24CHAR	240/208	15/11.3	51 191/38 393	1300
ASHU1571CTCHAR	ASHU1571CCHAR	ASHU1571C24CHAR	277	15	51 191	1300
ASHU1551CTCHAR	ASHU1551CCHAR	ASHU1551C24CHAR	480	15	51 191	1300
ASHU1553CTCHAR*	ASHU1553CCHAR*	ASHU1553C24CHAR*	480	15	51 191	1300
ASHU1561CTCHAR	ASHU1561CCHAR	ASHU1561C24CHAR	600	15	51 191	1300
ASHU1563CTCHAR*	ASHU1563CCHAR*	ASHU1563C24CHAR*	600	15	51 191	1300
ASHU2081CTCHAR	ASHU2081CCHAR	ASHU2081C24CHAR	208	20	68 254	1300
ASHU2083CTCHAR*	ASHU2083CCHAR*	ASHU2083C24CHAR*	208	20	68 254	1300
ASHU2021CTCHAR	ASHU2021CCHAR	ASHU2021C24CHAR	240/208	20/15	68 254/51 191	1300
ASHU2071CTCHAR	ASHU2071CCHAR	ASHU2071C24CHAR	277	20	68 254	1300
ASHU2051CTCHAR	ASHU2051CCHAR	ASHU2051C24CHAR	480	20	68 254	1300
ASHU2053CTCHAR*	ASHU2053CCHAR*	ASHU2053C24CHAR*	480	20	68 254	1300
ASHU2063CTCHAR*	ASHU2063CCHAR*	ASHU2063C24CHAR*	600	20	68 254	1300
ASHU2583CTCHAR*	ASHU2583CCHAR*	ASHU2583C24CHAR*	208	25	85 318	1300
ASHU2553CTCHAR*	ASHU2553CCHAR*	ASHU2553C24CHAR*	480	25	85 318	1300
ASHU2563CTCHAR*	ASHU2563CCHAR*	ASHU2563C24CHAR*	600	25	85 318	1300
ASHU3083CTCHAR*	ASHU3083CCHAR*	ASHU3083C24CHAR*	208	30	102 381	1400
ASHU3053CTCHAR*	ASHU3053CCHAR*	ASHU3053C24CHAR*	480	30	102 381	1400
ASHU3063CTCHAR*	ASHU3063CCHAR*	ASHU3063C24CHAR*	600	30	102 381	1400
ASHU4053CTCHAR*	ASHU4053CCHAR*	ASHU4053C24CHAR*	480	40	136 508	2100
ASHU4063CTCHAR*	ASHU4063CCHAR*	ASHU4063C24CHAR*	600	40	136 508	2100
ASHU5053CTCHAR*	ASHU5053CCHAR*	ASHU5053C24CHAR*	480	50	170 635	2100
ASHU5063CTCHAR*	ASHU5063CCHAR*	ASHU5063C24CHAR*	600	50	170 635	2100
ASHU6053CTCHAR*	ASHU6053CCHAR*	ASHU6053C24CHAR*	480	60	204 762	2100
ASHU6063CTCHAR*	ASHU6063CCHAR*	ASHU6063C24CHAR*	600	60	204 762	2100

* Three-phase unit that can be field-converted to a single phase unit
 * Three-phase unit
 Models also available in 347 V.
 --- not available

ACCESSORIES

PRODUCT	DESCRIPTION
SHUT1	built-in single pole thermostat (capillary)
SHUT2	built-in double pole thermostat (capillary)
SHUFS*	fan switch
SHUDIS*	disconnect switch [80 A]
SHUC24RX*	relay kit without transfo. 24 V (208-240 V except SHU0521/SHU0581)
SHUC24RX-5*	relay kit without transfo. 24 V (277-600 V SHU0521/SHU0581 included)
SHUFS-RCV*	remote control circuit for ventilation mode 240 V

* Factory installed

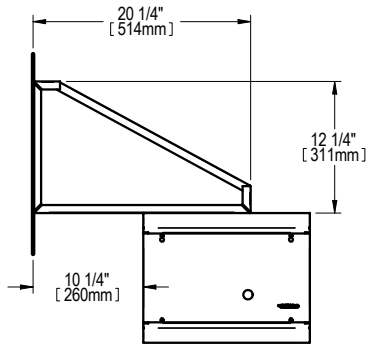
THROW DISTANCE AND HEAT RISE

UNITS	THROW DISTANCE	HEAT RISE
KW	FT	°F
2	28	25
3	28	38
4	28	50
5	31	35
7.5	31	34
10	31	45
15	35	37
20	37	49
25	33'6"	61
30	35	68
40	35	60
50	35	75
60	35	90

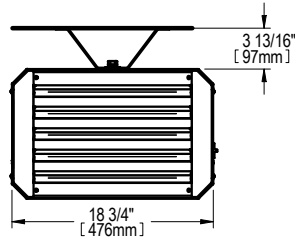
TECHNICAL DRAWINGS

2 KW TO 10 KW UNITS

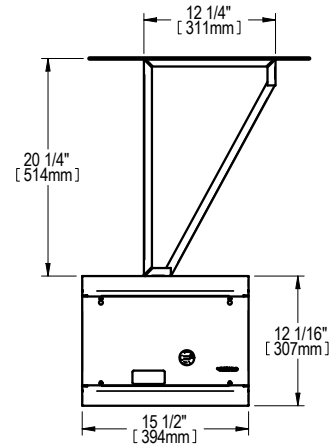
weight: approx. 40 lb



LEFT SIDE



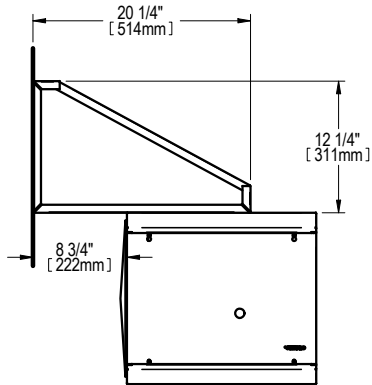
FRONT



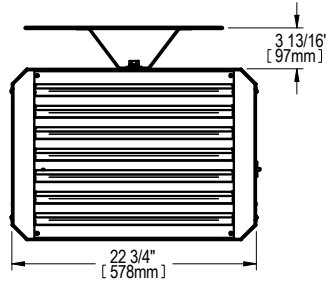
RIGHT SIDE

15 KW TO 30 KW UNITS

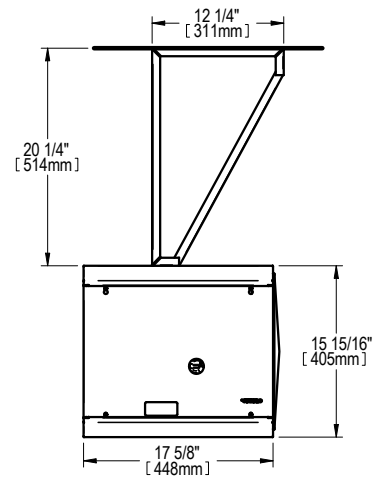
weight: approx. 67 lb



LEFT SIDE



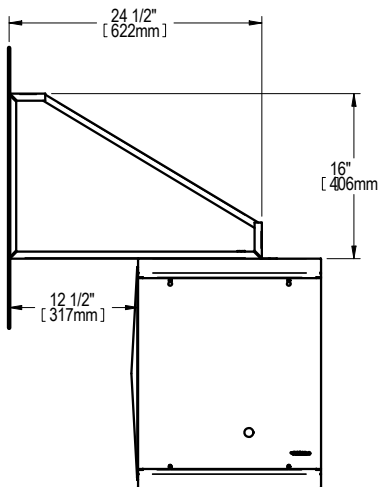
FRONT



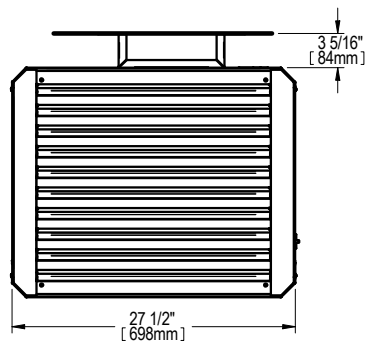
RIGHT SIDE

40 KW TO 60 KW UNITS

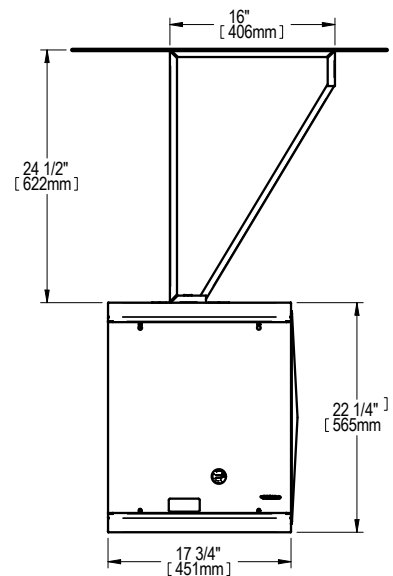
weight: approx. 100 lb



LEFT SIDE



FRONT



RIGHT SIDE

SFH – OXFORD™

AGRICULTURAL UNIT HEATER



OXFORD™
SERIES | SÉRIE



THE PREMIER CHOICE FOR AGRICULTURE

The SFH is specially designed to meet the needs of agricultural buildings, such as henhouses, stables, barns and dairies. It's built to last thanks to its satin coat finish, resistant to humidity and corrosion. Moreover, the watertight control components are isolated in a NEMA 4X enclosure, which is also watertight. The SFH's low density element assures heating power without over-heating. In addition, its motor is sealed and lubricated for life, making it maintenance-free.

- **HUMIDITY AND CORROSION RESISTANT**
NEMA 4X WATERTIGHT CONTROL ENCLOSURE AND BALL-BEARING MOTOR SEALED AND LUBRICATED FOR LIFE

- **EASY TO INSTALL**
COMPACT AND 40% LIGHTER THAN THE COMPETITION

- **SAFE AND EFFICIENT HEATING**
ENCLOSED LOW DENSITY ELEMENTS

- **EASY MAINTENANCE**
HOSEDOWN UNIT

- **APPROVED**
FOR USE IN CATEGORY 1 AND 2 LOCATIONS (CANADIAN ELECTRICAL CODE)

COLOR

- charcoal

FINISH

- satin coat steel cabinet, coated with a high-quality epoxy powder paint making it 10 times more resistant to corrosion

MANUFACTURING

- robust, 18-gauge satin coat steel cabinet
- NEMA 4X watertight control enclosure made of recyclable polypropylene
- front-facing louvers set at 45° for optimal heat flow and safety wire mesh
- thermal protection with automatic reset
- pilot light indicates when thermal protection has been activated

MOTOR

- lubricated for life and totally enclosed ball-bearing motor

CERTIFICATIONS

- CSA C22.2 46, UL2021
- corrosion requirements CSA C22.2 94
- hose-down requirements CSA C22.2 No.94.2 for versions 4 and below and CSA C22.2 No.94.2 type 4x for versions 5 and above

ELEMENT

- nickel-plated and sealed with silicone to prevent corrosion
- enclosed low density element without fins helps to keep cabinet temperature lower than that of a conventional heater

FAN

- switch allows the unit to operate as a FAN only
- fan delay allows the unit to cool down before shutting off

CONTROL

- double pole built-in thermostat (T model)
- wall thermostat compatible with device and its environment (not included)

INSTALLATION

- wall or ceiling at least 6 feet (1.8 m) and up to 10 feet (3 m) from the ground with universal mounting bracket (included)

WARRANTY

- three years

IDEAL FOR:

agricultural building, dairy, barn, cow shed, stable, henhouse, category 1 and 2 spaces (where hazardous vapors, liquid or excessive humidity are present – article 22-002 of the Canadian Electrical Code)

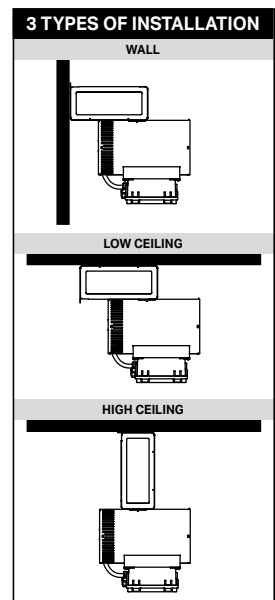
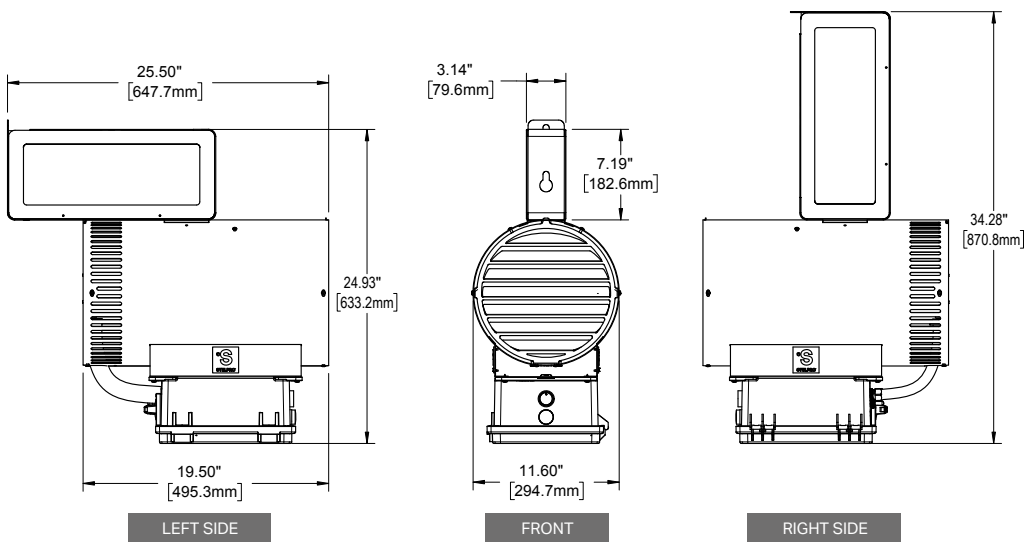
°**STELPRO**



TECHNICAL SPECIFICATIONS

WITHOUT CONTROL	BUILT-IN THERMOSTAT	POWER	VOLTAGE	THROW DISTANCE		FLOW	HEAT RISE	WEIGHT
CODE	CODE	WATTS	VOLTS	M	FT	CFM	°F	LB
SFH0521DISCHAR	SFH0521TDISCHAR	5000/3750	240/208	3	10	450	35	35

TECHNICAL DRAWINGS



ASIRH – ZENITH™

INFRARED RADIANT HEATER



ZENITH™



COMFORTABLY RADIANT!

Warm up your summer nights and autumn days with our Zenith infrared radiant heater. It's perfect for terraces, outdoor waiting areas, arenas and spas. It can even be used in hard-to-heat areas such as factories. With its 14-gauge aluminum cabinet and stainless steel grille, the Zenith is lightweight yet rugged. Now, you can create your own comfortable environment, any time of the year.

- **GENERATES INSTANT HEAT**
- **COMPACT, LIGHTWEIGHT, STURDY AND EASY TO INSTALL**
- **CLEAN ELECTRICAL ENERGY WITH NO AIR DISPLACEMENT**
- **WEATHER-RESISTANT MODELS AVAILABLE**

COLOR

- black

FINISH

- super-resistant polyester powdercoat

MANUFACTURING

- 14-gauge aluminum housing
- stainless steel grille
- specialized embossed aluminum reflectors that optimize radiant efficiency and reduce glare
- standard mounting bracket (included)

LAMP

- quartz lamp with glare-reducing filter and tungsten filament produces short-wave infrared heat
- 80% radiant efficiency

CONTROL

- electronic dimmer with timer (optional) (ASIRHC402-1 or independent switch*)

INSTALLATION

- on wall or ceiling with mounting bracket (included) or pole mounted (adaptor not provided), in accordance with clearances and installation heights as specified in the installation manual

WARRANTY

- three years

* The power feeding the units can be reduced using controls that meet the following requirements: the controls must be able to handle inductive and resistive loads. They must also have circuits to regulate the start-up current since this type of appliance generates a high start-up current.

IDEAL FOR:

terrace, warehouse, factory, outdoor waiting area, spa

FOR MAXIMUM EFFICIENCY

ELECTRONIC DIMMER WITH TIMER (OPTIONAL)
SIRHC402-1



°STELPRO

TECHNICAL SPECIFICATIONS

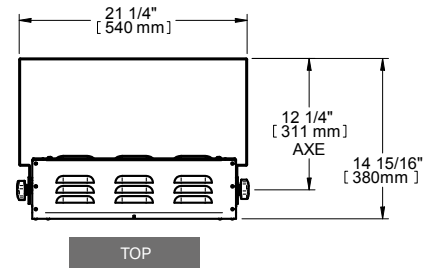
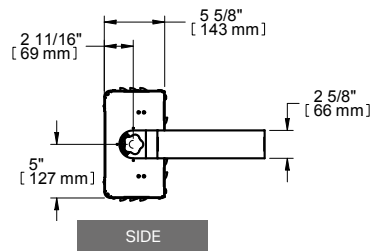
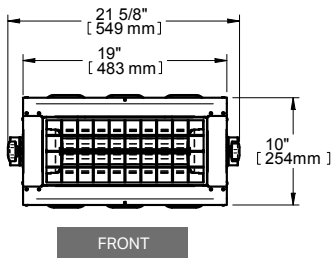
PRODUCT	WEATHER-RESISTANT	POWER		VOLTAGE	FREQUENCY	LENGTH	HEIGHT	DEPTH	WEIGHT
CODE	CODE	WATTS	BTU/H	VOLTS	HZ	IN.	IN.	IN.	LB
ASIRH1501W	ASIRH1501WR	1500	5120	120	60	19	10	5 5/8	11
ASIRH2002W	ASIRH2002WR	2000/1600	6825/5460	240/208	60	19	10	5 5/8	11
ASIRH4002W	ASIRH4002WR	4000/3200	13 651/10 921	240/208	60	19	15 7/8	5 5/8	13.8
ASIRH6002W	ASIRH6002WR	6000/4800	20 476/16 381	240/208	60	19	21 13/16	5 5/8	16.3

ACCESSORIES

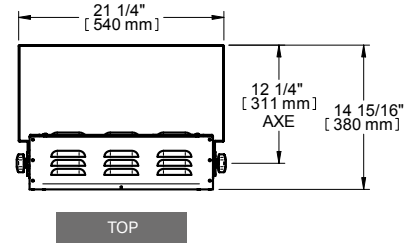
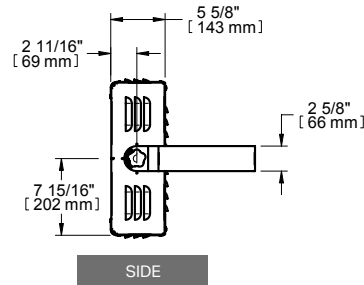
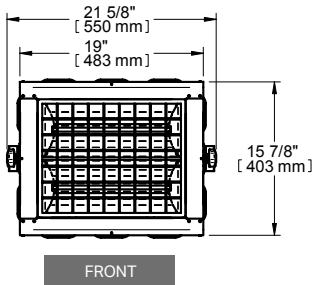
PRODUCT	DESCRIPTION
KIT-ESIRH151	infrared replacement element 1500 W @ 120 V
KIT-ESIRH202	infrared replacement element 2000 W/1600 W @ 240 V/208 V
KIT-SIRH-SUP1	expandable support from 20 in. to 34 in. – 508 mm to 864 mm
SIRHC402-1	electronic dimmer with timer (silver), 4000 W/3300 W/2000 W @ 240 V/208 V/120 V max

TECHNICAL DRAWINGS

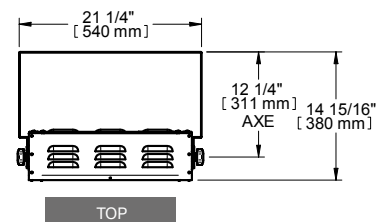
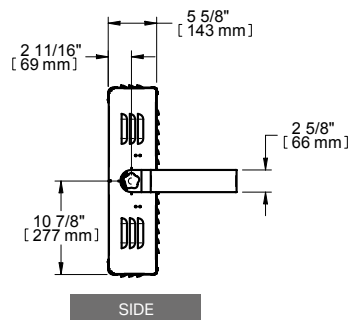
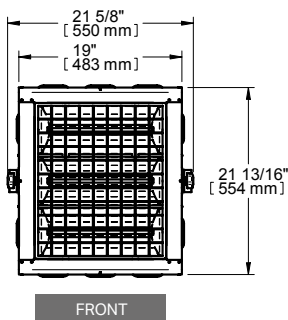
1500 W AND 2000 W MODELS



4000 W MODEL



4180 W AND 6000 W MODELS



SWU

WASHDOWN UNIT HEATER



RELIABLE, RESISTANT AND SELF-CONTAINED

The Stelpro SWU washdown unit heater is the perfect solution to the problem of comfort heating in environments where moisture and corrosion exist. The washdown heater is corrosion resistant, totally enclosed and watertight making it ideal for industrial heating applications. Available in several wattages (2 kW to 47 kW) and voltages (120 V, 208 V, 240 V and 480 V) this rugged unit will meet your toughest needs.

- **DESIGNED FOR HEATING LOCATIONS WHERE MOISTURE AND CORROSION EXIST**
- **CORROSION-RESISTANT STAINLESS STEEL CONSTRUCTION**
- **WASHABLE**
WATERTIGHT CONSTRUCTION
- **LARGE SELECTION OF MODELS**
SEVERAL WATTAGES, VOLTAGES AND PHASES

FINISH

- stainless steel

MANUFACTURING

- heavy 16-gauge stainless steel housing
- adjustable stainless steel louvers (can be rotated 90°)
- non-metallic control enclosure (meets NEMA 4X hose-down requirements)
- thermal protection with automatic reset

MOTOR

- totally enclosed, epoxy-coated and permanently lubricated ball bearing motor
- powder-coated aluminum fan blade

ELEMENTS

- industrial grade, type 316 stainless steel tubular elements with stainless steel fins

CONTROL

- factory mounted
- housed in a non-metallic enclosure
- includes a thermal protection with automatic reset, fan delay relay, controlling contactor transformer for 24 V control circuit, terminal block for field wiring and a separate motor contactor that can be used when required

INSTALLATION

- wall or ceiling mounted with stainless steel swivel mounting bracket (included)
- ceiling mounted with 4 3/8-16 threaded rods (not provided – if the swivel mounting bracket is not required, choose the SWU-B or SWU-B1 options)

WARRANTY

- one year

IDEAL FOR:

car wash, steel mill and foundry, cement plant, wood finishing plant, dairy, food processing plant, marine installation, power station, wastewater treatment plant, swimming pool area

°STELPRO

TECHNICAL SPECIFICATIONS

WITHOUT CONTROL	BUILT-IN THERMOSTAT	POWER		VOLTAGE	PHASE	AMPERAGE	MOTOR	APPROX. AIR TEMPERATURE RISE (DELTA ΔT)
		KW	BTU/H	VOLTS	NB.	AMPERES	HP	°F
CODE	CODE							
SWU0211	SWU0211-T	2	6 825	120	1	21	1/4	9
SWU0281	SWU0281-T	2	6 825	208	1	12	1/4	9
SWU0221	SWU0221-T	2	6 825	240	1	11	1/4	9
SWU0311	SWU0311-T	3	10 238	120	1	29	1/4	14
SWU0381	SWU0381-T	3	10 238	208	1	17	1/4	14
SWU0321	SWU0321-T	3	10 238	240	1	15	1/4	14
SWU0351	SWU0351-T	3	10 238	480	1	8	1/4	14
SWU0383	SWU0383-T	3	10 238	208	3	8	1/4	14
SWU0323	SWU0323-T	3	10 238	240	3	11	1/4	14
SWU0353	SWU0353-T	3	10 238	480	3	5	1/4	14
SWU0581	SWU0581-T	5	17 064	208	1	27	1/4	24
SWU0521	SWU0521-T	5	17 064	240	1	23	1/4	24
SWU0551	SWU0551-T	5	17 064	480	1	12	1/4	24
SWU0583	SWU0583-T	5	17 064	208	3	12	1/4	24
SWU0523	SWU0523-T	5	17 064	240	3	16	1/4	24
SWU0553	SWU0553-T	5	17 064	480	3	15	1/4	24
SWU0881	SWU0881-T	7.5	25 595	208	1	39	1/4	35
SWU0821	SWU0821-T	7.5	25 595	240	1	34	1/4	35
SWU0851	SWU0851-T	7.5	25 595	480	1	17	1/4	35
SWU0883	SWU0883-T	7.5	25 595	208	3	23	1/4	35
SWU0823	SWU0823-T	7.5	25 595	240	3	21	1/4	35
SWU0853	SWU0853-T	7.5	25 595	480	3	11	1/4	35
SWU0981	SWU0981-T	9	30 714	208	1	46	1/4	20
SWU0921	SWU0921-T	9	30 714	240	1	40	1/4	20
SWU0951	SWU0951-T	9	30 714	480	1	20	1/4	20
SWU0983	SWU0983-T	9	30 714	208	3	28	1/4	20
SWU0923	SWU0923-T	9	30 714	240	3	24	1/4	20
SWU0953	SWU0953-T	9	30 714	480	3	12	1/4	20
SWU1021	SWU1021-T	10	34 127	240	1	44	1/4	22
SWU1051	SWU1051-T	10	34 127	480	1	22	1/4	22
SWU1083	SWU1083-T	10	34 127	208	3	22	1/4	22
SWU1023	SWU1023-T	10	34 127	240	3	27	1/4	22
SWU1053	SWU1053-T	10	34 127	480	3	14	1/4	22
SWU1251	SWU1251-T	12	40 952	480	1	27	1/4	26
SWU1283	SWU1283-T	12	40 952	208	3	36	1/4	26
SWU1223	SWU1223-T	12	40 952	240	3	32	1/4	26
SWU1253	SWU1253-T	12	40 952	480	3	16	1/4	26
SWU1383	SWU1383-T	12.5	42 659	208	3	37	1/4	17
SWU1323	SWU1323-T	12.5	42 659	240	3	33	1/4	17
SWU1353	SWU1353-T	12.5	42 659	480	3	17	1/4	17
SWU1583	SWU1583-T	15	51 191	208	3	44	1/4	21
SWU1523	SWU1523-T	15	51 191	240	3	39	1/4	21
SWU1553	SWU1553-T	15	51 191	480	3	20	1/4	21
SWU2053	SWU2053-T	20	68 254	480	3	26	1/4	28
SWU2553	SWU2553-T	25	85 318	480	3	32	1/4	35
SWU3053	SWU3053-T	30	102 381	480	3	38	1/4	42
SWU3553	SWU3553-T	35	119 445	480	3	44	1/4	48
SWU3853	SWU3853-T	38.4	131 048	480	3	48	1/4	54

OPTIONS AND ACCESSORIES

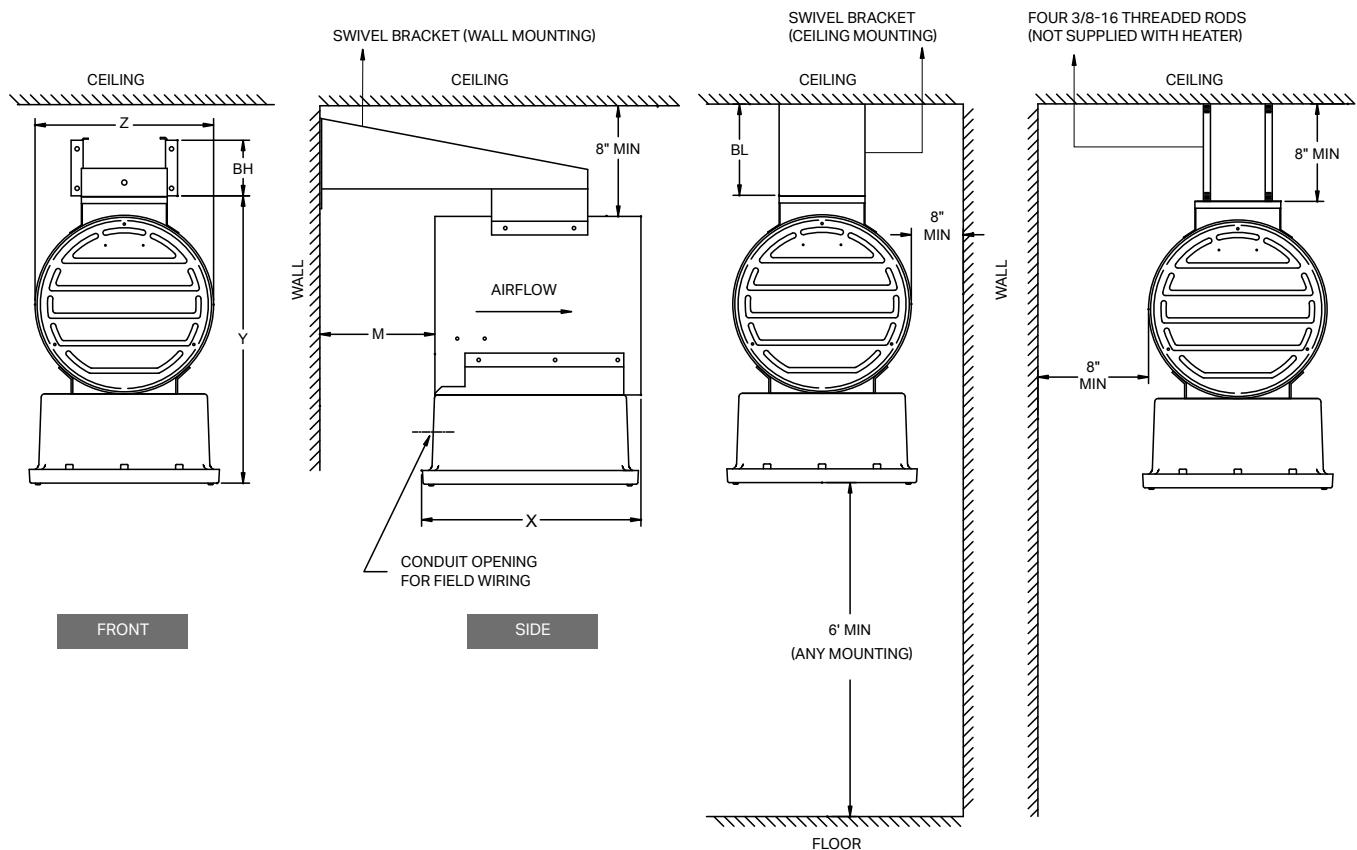
CODE	DESCRIPTION
SWU-B	swivel mounting bracket not included; option when field furnished threaded rods are used for units up to 12 kW
SWU-B1	swivel mounting bracket not included; option when field furnished threaded rods are used for units over 12 kW
SWU-D*	power disconnect switch
SWU-L*	"heater on" pilot light
SWU-M*	secondary manual reset/thermal protection
SWU-S*	three-position selector switch (heater-standby-fan)
SWU-V*	120 volt control circuit
SWUT1	washdown/corrosion resistant wall-mounted thermostat for non-hazardous locations 4°C-38°C (40°F-100°F) range
SWU-E*	monel finned tubular elements (up to 20 kW)
SWU-E1*	monel finned tubular elements (25 kW to 47 kW)

* Factory installed

DIMENSIONS, AIRFLOWS AND WEIGHT

		FROM 2 TO 7.5 kW	FROM 7.6 TO 12 kW	FROM 12.1 TO 47 kW
OVERALL HEATER DIMENSIONS	"X" INCH	15.5	15.5	26
	"Y" INCH	21.5	21.5	28
	"Z" INCH	13	13	20
MOUNTING HOLE DIMENSIONS	"BH" INCH	4.25	4.25	7.125
	"BL" INCH	19.5	19.5	22.25
	"M" INCH	8.5	8.5	3.25
AIRFLOW CHARACTERISTICS	AIR VOLUME CFM	700	1450	2400
	AIR THROW FEET	26	43	50
	OUTLET VELOCITY FPM	760	1575	1200
WEIGHT	NET LB	56	56	115
	SHIPPING LB	70	70	130

TECHNICAL DRAWINGS AND INSTALLATION



EU – X-PRO

EXPLOSION-PROOF UNIT HEATER



X-PRO
SÉRIE/SERIES



A SAFE WAY TO HEAT

The explosion-proof unit heater from Stelpro's X-pro series is the proven choice for hazardous locations at risk of fire or explosion due to the presence of flammable and hazardous substances. Available with an array of characteristics and options, this explosion-proof unit heater is designed with both safety and versatility in mind.

- **DESIGNED FOR HEATING LOCATIONS CONSIDERED HAZARDOUS**
- **LOWEST IGNITION TEMPERATURE CODE RATING IN THE INDUSTRY: T3C, 160°C**
- **NON-TOXIC, INHIBITED, PROPYLENE GLYCOL HEAT TRANSFER FLUID**
- **LOW 70 PSIG PRESSURE RELIEF VALVE SETTING**
- **STAINLESS STEEL OPTION CORROSION-RESISTANT**
- **VAST RANGE OF POWERS AVAILABLE**

COLOR

- beige

FINISH

- powdercoat

MANUFACTURING

- robust, 14-gauge galvanized steel cabinet
- adjustable louvers (with minimum opening safety stops)
- thermal protection with automatic reset
- thermal protection with manual reset

MOTOR

- explosion-proof double-shielded permanently lubricated ball bearing motor (with automatic reset)
- aluminum fan blade

ELEMENTS

- elements immersed in non toxic, inhibited, propylene glycol heat transfer fluid
- low 70 PSIG pressure relief valve

CONTROL

- factory mounted
- housed in a NEMA 7 or 9 cast aluminum enclosure
- automatic and manual reset overtemperature cutouts, controlling magnetic contactor and 24 V control circuit transformer included with standard built-in controls

INSTALLATION

- wall, ceiling or pole installation using mounting brackets (not included but mandatory; see the accessories table)
- approved installation locations:
 - Class I, Divisions 1 and 2, Groups C and D
 - Class II, Divisions 1 and 2, Groups E (optional), F and G
 - Class I, Zones 1 and 2, Group IIB
 - Temperature code T3C, 320 °F

WARRANTY

- one year

IDEAL FOR:

HAZARDOUS ENVIRONMENTS* SUCH AS:

aircraft hangar / service area, chemical storage-handling area, coal preparation plant, compressor station, grain elevator, oil refinery and rig, paint storage area, petrochemical plant, sewage pumping station / treatment plant, paint-spraying booth

* Please consult your process engineer for proper class division, groups and temperature code needed for your application.

°STELPRO

Stelpro reserves the right to modify descriptions, manufacturing specifications or prices without prior notice. No returns accepted on optional-color products. For all the latest models and prices, please refer to our website at www.stelpro.com.



OPTIONS AND ACCESSORIES DESCRIPTION

CODE	DESCRIPTION
C1	<u>316 STAINLESS STEEL CORROSION-RESISTANT CONSTRUCTION (WASTEWATER TREATMENT PLANTS)</u> 316 stainless steel heat exchanger with aluminum fins, 316 stainless steel cabinet; aluminum fan blade; cast aluminum NEMA 7 or 9 control enclosure; corrosion resistant hardware; corrosion-resistant protective-coated motor, which has passed the ASTM B117 salt-spray test.
C2	<u>DIRTY DUTY CORROSION-RESISTANT CONSTRUCTION (CHEMICAL PLANTS)</u> Heresite [®] , coated heat exchanger, cabinet and fan blade; cast aluminum NEMA 7 or 9 control enclosure; corrosion-resistant hardware; corrosion-resistant protective-coated motor that has passed the ASTM B117 salt-spray test. For installation in chemical treatment plants where chlorine is present.
D	<u>DISCONNECT SWITCH</u> Factory installed on the unit heater above the control switch located on the unit. Meets NEC/CEC requirements for a disconnect.
E	<u>GROUP E (METAL DUST) CONSTRUCTION</u> Class II, Group E (metal dust), construction temperature code T3C, 320 °F.
K	<u>"WARNING" PILOT LIGHT</u> Indicates when the thermal cutouts have tripped and the unit heater needs servicing.
L	<u>"HEATER ON" PILOT LIGHT</u> Indicates when the electric heating elements are energized.
M	<u>THERMAL PROTECTION WITH MANUAL RESET, WITH BACKUP CONTACTOR</u> A pilot duty thermal protection with manual reset with a backup contactor is provided for independent secondary overtemperature protection. This option cannot be provided if option codes S or V are also specified.
S	<u>AUTO/FAN SELECTOR SWITCH</u> A two-position switch wired to the control circuit for auto (automatic heat) and fan only control. This selector switch cannot be provided if option codes M or V are also specified.
T	<u>ADJUSTABLE THERMOSTAT</u> Factory installed and prewired to the control enclosure. Thermostat is adjustable from the 50 °F to 90 °F range.
V	<u>120 VOLT CONTROL CIRCUIT, FUSED SECONDARY AND GROUNDED</u> Can be provided when required for special external thermostat circuit. This option cannot be provided if option codes S or M are also specified nor can both K and L be specified.

ACCESSORIES

PRODUCT	DESCRIPTION
EU-C1	stainless steel construction – anti corrosion for wastewater treatment plants
EU-C2	dirty duty corrosion resistant for chemical plants
EU-CMK	ceiling mounting kit – standard
EU-PMK	pole mounting kit – standard
EU-WMK	wall mounting kit – standard
EU-CMK-SS	corrosion-resistant ceiling mounting kit (stainless steel – for C1 or C2 options)
EU-PMK-SS	corrosion-resistant pole mounting kit (stainless steel – for C1 or C2 options)
EU-WMK-SS	corrosion-resistant wall mounting kit (stainless steel – for C1 or C2 options)
EU-D15	disconnect switch factory installed up to 480 V max 15 A (1 and 3 phases)
EU-D30	disconnect switch factory installed up to 277 V max 30 A (1 phase)
EU-D60	disconnect switch factory installed up to 600 V max 60 A (1 and 3 phases)
EU-E	group E construction (metal dust)
EU-K	warning pilot light
EU-L	heater on pilot light
EU-M	secondary thermal protection with manual reset and backup contactor
EU-S	auto/fan selector switch
EU-V	120 V control circuit, fused, secondary, grounded
ST-XPROEU	wall-mounted 24 V thermostat [125 V-277 V @ 22 A]; Classes I and II, Divisions 1 and 2, Groups C, D, E, F and G; 10-32 °C

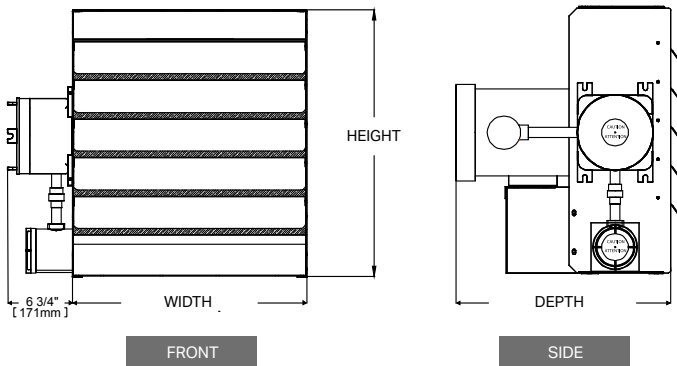
TECHNICAL SPECIFICATIONS

WITHOUT CONTROL	BUILT-IN THERMOSTAT	POWER		VOLTAGE	PHASE	AMPERAGE	AIR FLOW	THROW DISTANCE	MOTOR	FREQUENCY	APPROX. AIR TEMPERATURE RISE (ΔT)
		KW	BTU/H	VOLTS	NB.	AMPERES	CFM	FT.	HP	HZ	°F
EU233-CA-0036C	EU233-CA-0036C-T	3	10 238	208	1	17	650	15	1/4	60	15
EU233-CA-0036J	EU233-CA-0036J-T	3	10 238	240	1	15	650	15	1/4	60	15
EU233-CA-0036D	EU233-CA-0036D-T	3	10 238	208	3	10	650	15	1/4	60	15
EU233-CA-0036K	EU233-CA-0036K-T	3	10 238	240	3	9	650	15	1/4	60	15
EU233-CA-0036U	EU233-CA-0036U-T	3	10 238	480	3	5	650	15	1/4	60	15
EU233-CA-0056C	EU233-CA-0056C-T	5	17 064	208	1	26	650	15	1/4	60	25
EU233-CA-0056J	EU233-CA-0056J-T	5	17 064	240	1	23	650	15	1/4	60	25
EU233-CA-0056D	EU233-CA-0056D-T	5	17 064	208	3	16	650	15	1/4	60	25
EU233-CA-0056K	EU233-CA-0056K-T	5	17 064	240	3	14	650	15	1/4	60	25
EU233-CA-0056U	EU233-CA-0056U-T	5	17 064	480	3	7	650	15	1/4	60	25
EU233-CA-0086C	EU233-CA-0086C-T	7.5	25 595	208	1	38	850	25	1/4	60	28
EU233-CA-0086J	EU233-CA-0086J-T	7.5	25 595	240	1	34	850	25	1/4	60	28
EU233-CA-0086D	EU233-CA-0086D-T	7.5	25 595	208	3	23	850	25	1/4	60	28
EU233-CA-0086K	EU233-CA-0086K-T	7.5	25 595	240	3	20	850	25	1/4	60	28
EU233-CA-0086U	EU233-CA-0086U-T	7.5	25 595	480	3	10	850	25	1/4	60	28
EU233-CA-0106J	EU233-CA-0106J-T	10	34 127	240	1	44	850	25	1/4	60	38
EU233-CA-0106D	EU233-CA-0106D-T	10	34 127	208	3	30	850	25	1/4	60	38
EU233-CA-0106K	EU233-CA-0106K-T	10	34 127	240	3	26	850	25	1/4	60	38
EU233-CA-0106U	EU233-CA-0106U-T	10	34 127	480	3	13	850	25	1/4	60	38
EU233-CB-0156D	EU233-CB-0156D-T	15	51 191	208	3	44	1800	45	1/4	60	27
EU233-CB-0156K	EU233-CB-0156K-T	15	51 191	240	3	38	1800	45	1/4	60	27
EU233-CB-0156U	EU233-CB-0156U-T	15	51 191	480	3	19	1800	45	1/4	60	27
EU233-CB-0206U	EU233-CB-0206U-T	20	68 254	480	3	25	1800	45	1/4	60	35
EU233-CC-0256U	EU233-CC-0256U-T	25	85 318	480	3	31	3110	65	1/2	60	26
EU233-CC-0306U	EU233-CC-0306U-T	30	102 381	480	3	37	3850	75	1/2	60	25

DIMENSIONS AND WEIGHT

UNITS OF	WIDTH	HEIGHT	DEPTH	WEIGHT
KILOWATTS	IN.	IN.	IN.	LB
3 TO 10	16 1/16	19 3/8	21 3/4	110
15 TO 20	20 3/16	23 3/8	21 3/4	150
25 TO 30	24 3/16	27 3/8	20 7/8	190

TECHNICAL DRAWINGS



EC – X-PRO

EXPLOSION-PROOF CONVECTOR



X-PRO
SÉRIE/SERIES



YOUR ALLY IN HAZARDOUS LOCATIONS

Stelpro's X-pro series explosion-proof convector is the unit best suited to hazardous locations at risk of fire or explosion and is available in many different wattages (from 0.5 kW to 9.5 kW) and voltages (120 V to 600 V). With many controls and options available, this heavy-duty unit is designed to meet all your needs.

■ DESIGNED FOR HEATING LOCATIONS CONSIDERED HAZARDOUS

■ THREE CLASSIFICATIONS: TWO FOR DANGEROUS GASES AND VAPORS AND ONE FOR PARTICLES OF DUST

■ IRIDITE COATING TREATMENT FOR CABINET AVAILABLE FOR NEMA3 WET LOCATIONS (OPTION EC-C1)

■ LARGE SELECTION OF MODELS SEVERAL WATTAGES, VOLTAGES AND PHASES

■ SLOPED TOP MAKING IT LESS LIKELY TO BE SAT ON OR USED AS A SHELF

COLOR

- beige

FINISH

- powdercoat

MANUFACTURING

- 18-gauge robust galvanized steel cabinet
- corrosion resistant (EC-C1 and EC-C2 options)
- air enters at the bottom of the unit and exits at the top
- thermal protection with automatic reset
- sealed junction box

ELEMENTS

- copper tube elements with large aluminum fins

CONTROL

- wall thermostat (optional)
- built-in contactor and transformer included with single-phase units of more than 277 V or more than 22 A and for three-phase units (optional for all other units, except size 1 units)

INSTALLATION

- wall (wall support included)
- minimum distance from floor: 6 in. (152 mm)
- approved locations:
 - Class I, Divisions 1 and 2, Groups B, C and D
 - Class II, Divisions 1 and 2, Groups E, F and G
 - Class I, Zones 1 and 2, Groups IIB + H2

WARRANTY

- one year

IDEAL FOR:

HAZARDOUS ENVIRONMENTS* SUCH AS:

battery storage area, chemical handling/storage area, coal preparation plant, dry cleaning plant, gasoline storage area, grain elevator, oil refinery, paint spraying/storage area, petrochemical plant

* Please consult your process engineer for proper class division and groups needed for your application.

°STELPRO

OPTIONS AND ACCESSORIES DESCRIPTION

CODE	DESCRIPTION
B2*	<u>ELECTRIC CONTROL (WITHOUT THERMOSTAT)</u> Class I and II, Groups B, C, E, D, F and G, includes a contactor and a transformer (according to specifications). Required for single-phase units of more than 22 A or 277 V and three-phase units.
B2/S1*	<u>THERMOSTAT AND CONTROLS</u> Class I and II, Groups C, D, E, F and G includes a thermostat, a contactor and a transformer (according to specifications).
B3*	<u>THERMOSTAT AND CONTROLS (GROUP B)</u> Class I and II, Groups B, C, D, E, F and G includes a thermostat, a contactor and a transformer (according to specifications). The thermostat has an internal setpoint.
S1*	<u>THERMOSTAT ONLY</u> Class I and II, Groups C, D, E, F and G for single-phase units from maximum 22 A to 120 V-277 V. Use the ST-XPROEC wall thermostat for size 1 units.
S2*	<u>THERMOSTAT ONLY (GROUP B)</u> Class I and II, Groups B, C, D, E, F and G for single-phase units from maximum 22 A to 120 V-277 V. The thermostat has an internal setpoint. Use the ST-XPROEC wall thermostat for size 1 units.
EC-C1*	<u>G90 GALVANIZED STEEL UNIT RESISTANT TO WET AREAS (NEMA 3)</u> G90 galvanized steel cabinet resistant to wet areas with a baked on powder coating. Elements have a chromate coating, and unit has a gasketed terminal box cover (O ring). This option is not available for S1, B2/S1 and S2 thermostat options.
EC-C2*	<u>STAINLESS STEEL UNIT RESISTANT TO WET AND CORROSIVE AREAS (NEMA 3)</u> Stainless steel cabinet resistant to wet and corrosive areas. Elements have a chromate coating, and unit has a gasketed terminal box cover (O ring). This option is not available for S1, B2/S1 and S2 thermostat options.

* These options are not available for size 1 units.

* Units ordered with these options require a longer delay in delivery.

ACCESSORIES

PRODUCT	DESCRIPTION
EC-C1	G90 galvanized steel cabinet resistant to wet areas
EC-C2	stainless steel unit resistant to wet and corrosive areas
ST-XPROEC	wall-mounted 24 V thermostat (with low voltage control option B2) 125-277 V @ 22 A (10-32°C) – groups C, D, E, F and G
ST-XPROEC-1*	wall-mounted 24 V thermostat (with low voltage control option B2) 120-240 V @ 25 A and 277 V @ 22 A (4-48°C) – groups B, C, D, E, F and G
ST-XPROEC-2*	wall-mounted 24 V thermostat resistant to corrosion (with low voltage control option B2) 120-240 V @ 25 A and 277 V @ 22 A (4-48 °C) – groups B, C, D, E, F and G

* With bulb, capillary and internal setpoint adjustment

CLASS I, DIVISIONS 1 AND 2, GROUPS B, C AND D – CLASS I, ZONES 1 AND 2, GROUP IIB + H2

IGNITION TEMPERATURE CODE: T2A, 536 °F

TECHNICAL SPECIFICATIONS

PRODUCT	DIMENSION AND WEIGHT*	POWER		VOLTAGE	PHASE	CONTROL INCLUDED	AMPERAGE
CODE		KILOWATTS	BTU/H	VOLTS	NB.		AMPERES
EC254-C0310052B	1	0.5	1706	120	1	---	4.2
EC254-C0310052C	1	0.5	1706	208	1	---	2.4
EC254-C0310052J	1	0.5	1706	240	1	---	2.1
EC254-C0310102B	1	1	3413	120	1	---	8.3
EC254-C0310102C	1	1	3413	208	1	---	4.8
EC254-C0310102J	1	1	3413	240	1	---	4.2
EC254-C0320182B	2	1.8	6143	120	1	---	15.0
EC254-C0320182B-S2	2	1.8	6143	120	1	S2	15.0
EC254-C0320182C	2	1.8	6143	208	1	---	8.7
EC254-C0320182C-S2	2	1.8	6143	208	1	S2	8.7
EC254-C0320182J	2	1.8	6143	240	1	---	7.5
EC254-C0320182J-S2	2	1.8	6143	240	1	S2	7.5
EC254-C0320182U-B2	2	1.8	6143	480	3	B2	2.2
EC254-C0320182U-B3	2	1.8	6143	480	3	B3	2.2

* Consult the dimensions and weight table

TECHNICAL SPECIFICATIONS (CONT'D)

PRODUCT CODE	DIMENSION AND WEIGHT*	POWER		VOLTAGE	PHASE	CONTROL INCLUDED	AMPERAGE
		KILOWATTS	BTU/H	VOLTS	NB.		AMPERES
EC254-C0320252C	2	2.5	8532	208	1	---	12.0
EC254-C0320252C-S2	2	2.5	8532	208	1	S2	12.0
EC254-C0320252D-B2	2	2.5	8532	208	3	B2	6.9
EC254-C0320252D-B3	2	2.5	8532	208	3	B3	6.9
EC254-C0320252J	2	2.5	8532	240	1	---	10.4
EC254-C0320252J-S2	2	2.5	8532	240	1	S2	10.4
EC254-C0320252U-B2	2	2.5	8532	480	3	B2	3.0
EC254-C0320252U-B3	2	2.5	8532	480	3	B3	3.0
EC254-C0330362C	3	3.6	12 286	208	1	---	17.3
EC254-C0330362C-S2	3	3.6	12 286	208	1	S2	17.3
EC254-C0330362D-B2	3	3.6	12 286	208	3	B2	10.0
EC254-C0330362D-B3	3	3.6	12 286	208	3	B3	10.0
EC254-C0330362J	3	3.6	12 286	240	1	---	15.0
EC254-C0330362J-S2	3	3.6	12 286	240	1	S2	15.0
EC254-C0330362U-B2	3	3.6	12 286	480	3	B2	4.3
EC254-C0330362U-B3	3	3.6	12 286	480	3	B3	4.3
EC254-C0330442D-B2	3	4.4	15 016	208	3	B2	12.2
EC254-C0330442D-B3	3	4.4	15 016	208	3	B3	12.2
EC254-C0330442J	3	4.4	15 016	240	1	---	18.3
EC254-C0330442J-S2	3	4.4	15 016	240	1	S2	18.3
EC254-C0330442U-B2	3	4.4	15 016	480	3	B2	5.3
EC254-C0330442U-B3	3	4.4	15 016	480	3	B3	5.3
EC254-C0340652D-B2	4	6.5	22 183	208	3	B2	18.1
EC254-C0340652D-B3	4	6.5	22 183	208	3	B3	18.1
EC254-C0340652J-B2	4	6.5	22 183	240	1	B2	27.1
EC254-C0340652J-B3	4	6.5	22 183	240	1	B3	27.1
EC254-C0340652U-B2	4	6.5	22 183	480	3	B2	7.8
EC254-C0340652U-B3	4	6.5	22 183	480	3	B3	7.8
EC254-C0340752D-B2	4	7.5	25 595	208	3	B2	20.8
EC254-C0340752D-B3	4	7.5	25 595	208	3	B3	20.8
EC254-C0340752J-B2	4	7.5	25 595	240	1	B2	31.3
EC254-C0340752J-B3	4	7.5	25 595	240	1	B3	31.3
EC254-C0340752U-B2	4	7.5	25 595	480	3	B2	9.0
EC254-C0340752U-B3	4	7.5	25 595	480	3	B3	9.0
EC254-C0340952D-B2	4	9.5	32 421	208	3	B2	26.4
EC254-C0340952D-B3	4	9.5	32 421	208	3	B3	26.4
EC254-C0340952J-B2	4	9.5	32 421	240	1	B2	39.6
EC254-C0340952J-B3	4	9.5	32 421	240	1	B3	39.6
EC254-C0340952U-B2	4	9.5	32 421	480	3	B2	11.4
EC254-C0340952U-B3	4	9.5	32 421	480	3	B3	11.4

* Consult the dimensions and weight table

CLASS I, DIVISIONS 1 AND 2, GROUPS B, C AND D – CLASS I, ZONES 1 AND 2, GROUP IIB + H2
IGNITION TEMPERATURE CODE: T3A, 356 °F

TECHNICAL SPECIFICATIONS							
PRODUCT	DIMENSION AND WEIGHT*	POWER		VOLTAGE	PHASE	CONTROL INCLUDED	AMPERAGE
CODE		KILOWATTS	BTU/H	VOLTS	NB.		AMPERES
EC254-C0610052B	1	0.5	1706	120	1	---	4.2
EC254-C0610052C	1	0.5	1706	208	1	---	2.4
EC254-C0610052J	1	0.5	1706	240	1	---	2.1
EC254-C0620142B	2	1.4	4778	120	1	---	11.7
EC254-C0620142B-S2	2	1.4	4778	120	1	S2	11.7
EC254-C0620142C	2	1.4	4778	208	1	---	6.7
EC254-C0620142C-S2	2	1.4	4778	208	1	S2	6.7
EC254-C0620142J	2	1.4	4778	240	1	---	5.8
EC254-C0620142J-S2	2	1.4	4778	240	1	S2	5.8
EC254-C0630232B	3	2.3	7849	120	1	---	19.2
EC254-C0630232B-S2	3	2.3	7849	120	1	S2	19.2
EC254-C0630232C	3	2.3	7849	208	1	---	11.1
EC254-C0630232C-S2	3	2.3	7849	208	1	S2	11.1
EC254-C0630232D-B2	3	2.3	7849	208	3	B2	6.4
EC254-C0630232D-B3	3	2.3	7849	208	3	B3	6.4
EC254-C0630232J	3	2.3	7849	240	1	---	9.6
EC254-C0630232J-S2	3	2.3	7849	240	1	S2	9.6
EC254-C0630232U-B2	3	2.3	7849	480	3	B2	2.8
EC254-C0630232U-B3	3	2.3	7849	480	3	B3	2.8
EC254-C0640322C	4	3.2	10 921	208	1	---	15.4
EC254-C0640322C-S2	4	3.2	10 921	208	1	S2	15.4
EC254-C0640322D-B2	4	3.2	10 921	208	3	B2	8.9
EC254-C0640322D-B3	4	3.2	10 921	208	3	B3	8.9
EC254-C0640322J	4	3.2	10 921	240	1	---	13.3
EC254-C0640322J-S2	4	3.2	10 921	240	1	S2	13.3
EC254-C0640322U-B2	4	3.2	10 921	480	3	B2	3.9
EC254-C0640322U-B3	4	3.2	10 921	480	3	B3	3.9
EC254-C0640502D-B2	4	5	17 064	208	3	B2	13.9
EC254-C0640502D-B3	4	5	17 064	208	3	B3	13.9
EC254-C0640502J	4	5	17 064	240	1	---	20.8
EC254-C0640502J-S2	4	5	17 064	240	1	S2	20.8
EC254-C0640502U-B2	4	5	17 064	480	3	B2	6.0
EC254-C0640502U-B3	4	5	17 064	480	3	B3	6.0

* Consult the dimensions and weight table
--- not available

CLASS II, DIVISIONS 1 AND 2, GROUPS E, F AND G
IGNITION TEMPERATURE CODE: T3C, 320 °F

TECHNICAL SPECIFICATIONS

PRODUCT CODE	DIMENSION AND WEIGHT*	POWER		VOLTAGE	PHASE	CONTROL INCLUDED	AMPERAGE
		KILOWATTS	BTU/H	VOLTS	NB.		AMPERES
EC254-C0810054B	1	0.5	1706	120	1	---	4.2
EC254-C0810054C	1	0.5	1706	208	1	---	2.4
EC254-C0810054J	1	0.5	1706	240	1	---	2.1
EC254-C0820104B	2	1	3413	120	1	---	8.3
EC254-C0820104B-S2	2	1	3413	120	1	S2	8.3
EC254-C0820104C	2	1	3413	208	1	---	4.8
EC254-C0820104C-S2	2	1	3413	208	1	S2	4.8
EC254-C0820104J	2	1	3413	240	1	---	4.2
EC254-C0820104J-S2	2	1	3413	240	1	S2	4.2
EC254-C0830174B	3	1.7	5802	120	1	---	14.2
EC254-C0830174B-S2	3	1.7	5802	120	1	S2	14.2
EC254-C0830174C	3	1.7	5802	208	1	---	8.2
EC254-C0830174C-S2	3	1.7	5802	208	1	S2	8.2
EC254-C0830174J	3	1.7	5802	240	1	---	7.1
EC254-C0830174J-S2	3	1.7	5802	240	1	S2	7.1
EC254-C0830174U-B2	3	1.7	5802	480	3	B2	2.0
EC254-C0830174U-B3	3	1.7	5802	480	3	B3	2.0
EC254-C0840324C	4	3.2	10 921	208	1	---	15.4
EC254-C0840324C-S2	4	3.2	10 921	208	1	S2	15.4
EC254-C0840324D-B2	4	3.2	10 921	208	3	B2	8.9
EC254-C0840324D-B3	4	3.2	10 921	208	3	B3	8.9
EC254-C0840324J	4	3.2	10 921	240	1	---	13.3
EC254-C0840324J-S2	4	3.2	10 921	240	1	S2	13.3
EC254-C0840324U-B2	4	3.2	10 921	480	3	B2	3.9
EC254-C0840324U-B3	4	3.2	10 921	480	3	B3	3.9

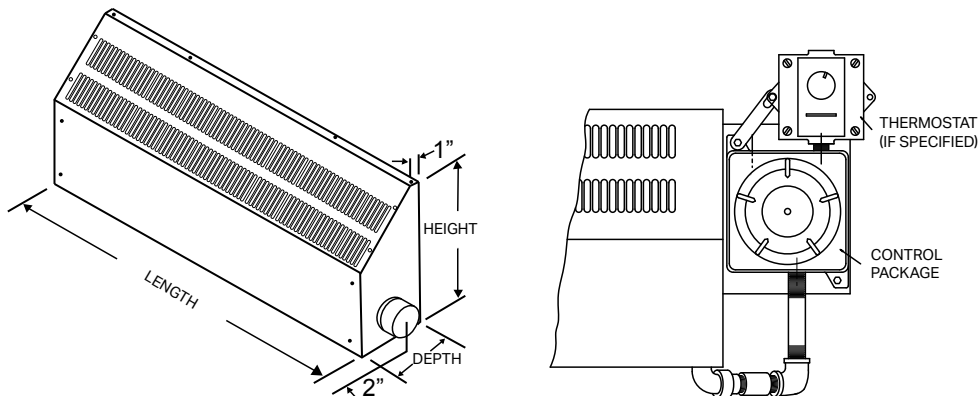
* Consult the dimensions and weight table
--- not available

DIMENSIONS AND WEIGHT

UNIT SIZE	LENGTH	HEIGHT	DEPTH	WEIGHT*
	IN.	IN.	IN.	LB
1	26	6	4.5	13
2	26	16	8	27
3	39	16	8	36
4	67.5	16	8	60

* Without controls

TECHNICAL DRAWINGS



Stelpro reserves the right to modify descriptions, manufacturing specifications or prices without prior notice. No returns accepted on optional-color products.
For all the latest models and prices, please refer to our website at www.stelpro.com.

Heating cables

Heating cable systems are an energy-efficient, safe and durable choice that requires no maintenance.

Whether for indoor or outdoor use, our heating cables distribute heat evenly.

SCU

UNIVERSAL HEATING CABLE



CHOOSE OPTIMAL AND UNIFORM HEAT

Enjoy the unparalleled comfort of a heated floor with the SCU series universal heating cable. The heating cable is a safe, durable and maintenance-free heating solution that provides uniform heat over the entire floor surface. This universal product is easy to install either with an uncoupling membrane or directly on plywood. Ideal for any room of the house, especially difficult-to-heat spots, it's compatible with most floor coverings and makes more space available for furniture and interior décor elements.

- **SILENT, ECONOMICAL AND SAFE**
- **EASY TO INSTALL**
CABLE SPACER OR UNCOUPLING MEMBRANE INSTALLATION
- **FLEXIBLE, EASY-TO-HANDLE CABLE**
- **PROVIDES OPTIMAL COMFORT BY HEATING FROM THE FLOOR UP**
- **COMPLETE KIT, INCLUDING:**
HEATING CABLE, GLUE STICKS, CABLE SPACERS AND INSTALLATION GUIDE
- **UNCOUPLING MEMBRANE AVAILABLE**
TO EASE INSTALLATION OF CERAMIC FLOOR

MANUFACTURING

- diameter suitable for use with an uncoupling membrane
- heating elements sheathed in thermoplastic polymer insulation
- dual heating element that allows for a return to the thermostat inside the cable (therefore, cable route planning doesn't need to include a return to the thermostat)
- tin-plated copper braiding for better corrosion resistance

WATTAGE

- 12 W/ft² – 3 spaces (with a membrane or cable spacers)
- 9 W/ft² – 4 spaces (cable spacers)

CONTROL

- electronic thermostat for floor heating (sold separately)

Note: a temperature sensor is included with the SCU product and another with the Stelpro electronic thermostat.

INSTALLATION

- with any uncoupling membrane
- directly on concrete (slab or basement floor) using the cable spacers (included with the product)
- directly on plywood using the cable spacers (included with the product)
- glue sticks included
- under most floor coverings*, so long as the heating cable is completely covered with self-leveling mortar

WARRANTY

- twenty-five years

*For more information on floor coverings that can be installed over a heating cable, we strongly recommend that you check with the floor covering manufacturers in question.

IDEAL FOR:

bathroom, kitchen, living room, bedroom, basement, hallway, day care centre, locker room, small space

FOR MAXIMUM EFFICIENCY

ELECTRONIC THERMOSTATS FOR HEATING CABLE

SINGLE PROGRAMMING



MULTIPLE PROGRAMMING



TECHNICAL SPECIFICATIONS

PRODUCT	AMPERAGE	LENGTH	POWER		MEMBRANE		CABLE SPACER*	
					SPACING : 3 WALL CLEARANCE : 3		SPACING : 3 OR 4 WALL CLEARANCE : 3 IN	
					DENSITY : 12 W/FT ^{2†} 3 spaces = 3,63 in. (92 mm)	DENSITY : 12 W/FT ^{2†} 3 spaces = 3,75 in. (95,3 mm)	DENSITY : 12 W/FT ^{2†} 3 spaces = 3,63 in. (92 mm)	DENSITY : 9 W/FT ^{2†} 4 spaces = 4,83 in. (122,7 mm)
CODE	AMP	FT	WATTS	BTU/H	SURFACE FT ²			
240/208 VOLTS								
SCU2W0135S013	0.6/0.5	35.3	135/101	461/345	12.9	13.5	12.5	16.6
SCU2W0203S019	0.8/0.7	53.1	203/152	693/519	18.7	19.5	18.2	24.2
SCU2W0270S025	1.1/1.0	70.5	270/203	921/693	24.5	25.4	23.9	31.7
SCU2W0338S030	1.4/1.2	88.2	338/254	1153/867	29.6	31.3	29.5	39.3
SCU2W0405S036	1.7/1.5	105.8	405/304	1382/1037	35.8	37.1	35.1	46.7
SCU2W0475S042	2.0/1.7	124.1	475/356	1621/1215	41.6	43.3	40.8	54.3
SCU2W0540S047	2.3/1.9	141.0	540/405	1843/1382	47.0	48.8	46.2	61.4
SCU2W0675S058	2.8/2.4	176.3	675/506	2304/1727	58.2	60.3	57.0	76.1
SCU2W0810S069	3.4/2.9	211.6	810/608	2764/2075	69.3	71.8	68.3	90.9
SCU2W0950S081	4.0/3.4	248.2	950/713	3242/2433	80.8	83.8	79.7	106.0
SCU2W1080S091	4.5/3.9	282.1	1080/810	3686/2764	91.4	94.7	90.3	120.0
SCU2W1300S109	5.4/4.7	339.4	1300/975	4437/3327	109.3	113.2	108.1	143.7
SCU2W1630S136	6.8/5.9	425.8	1630/1223	5563/4174	136.2	141.0	134.9	179.3
SCU2W1840S153	7.7/6.6	480.5	1840/1380	6279/4710	153.2	158.5	151.8	201.7
SCU2W2110S175	8.8/7.6	551.0	2110/1583	7201/5402	175.1	181.3	173.7	230.4
SCU2W2320S192	9.7/8.4	605.9	2320/1740	7917/5938	192.2	198.9	190.7	253.2
SCU2W2580S213	10.8/9.3	673.8	2580/1935	8805/6604	213.1	220.6	211.5	281.1
SCU2W2850S235	11.9/10.3	744.4	2850/2138	8805/7296	234.9	243.1	234.6	310.2
SCU2W3400S279	14.2/12.3	888.0	3400/2550	11 603/8702	279.3	289.0	277.5	368.7
120 VOLTS								
SCU1W0135S013	1.1	35.3	135	461	12.9	13.5	12.5	16.6
SCU1W0203S019	1.7	52.9	203	693	18.7	19.5	18.2	24.2
SCU1W0270S024	2.3	70.5	270	921	24.5	25.4	23.9	31.7
SCU1W0338S030	2.8	88.2	338	1153	29.6	31.3	29.5	39.3
SCU1W0405S036	3.4	105.8	405	1382	35.8	37.1	35.1	46.7
SCU1W0475S042	4.0	124.1	475	1621	41.6	43.3	40.8	54.3
SCU1W0540S047	4.5	141.1	540	1843	47.0	48.8	46.2	61.4
SCU1W0650S056	5.4	169.8	650	2218	56.1	58.2	55.0	73.4
SCU1W0815S070	6.8	212.9	815	2781	69.7	72.2	68.7	91.5
SCU1W0920S078	7.7	240.2	920	3140	78.3	81.1	77.2	102.7
SCU1W1055S089	8.8	275.5	1055	3600	89.3	92.5	88.2	117.4
SCU1W1160S098	9.7	303.0	1160	3959	97.9	101.4	96.8	128.8
SCU1W1290S109	10.8	336.9	1290	4402	108.5	112.4	107.3	142.8
SCU1W1425S120	11.9	372.2	1425	4863	119.5	123.7	118.3	157.2
SCU1W1700S142	14.2	444.0	1700	5802	141.8	146.9	140.5	186.7

*Included with the product
†Density for 240 V and 120 V

ACCESSORIES

PRODUCT	DESCRIPTION
STCNPW5	single programming electronic thermostat
STCPW5	multiple programming electronic thermostat
TH115F12VDC	master thermostat for use with relay (120 V/240 V) in large areas [12 V]
CT230GA	relay for use with master thermostat in large areas [15 A @ 120 V-240 V, 50/60 Hz]
STSCC	thermostat sensor for heating cable
SCU-MEM-054	membrane for floor heating cable – 3.3 x 16.4 ft = 53.8 ft ² (5 x 1 m = 5m ²)
SCU-MEM-162	membrane for floor heating cable – 3.3 x 49.5 ft = 161 ft ² (15 x 1 m = 15m ²)
SCU-STRIP-01	plastic cable spacers for installation (pack of 24)
SCURK	repair kit
SCU-PROBAND-1530	Proband roll 6 in. X 98 ft 5 in.

SECM

HEATING CABLE ON LATTICE FOR CONCRETE



THE OPTIMAL UNIFORM HEATING SOLUTION

More economical and easier to install than a hydronic system, our heating cable on lattice for concrete is ideal for residential and commercial renovation projects. Furthermore, no maintenance costs are required. It's a concrete solution for floor heating!

- **EASIER TO INSTALL AND USE THAN A HYDRONIC SYSTEM**
- **CONCRETE SLAB HEATING WITH NO LIQUID OR PUMP**
- **PERFECT FOR PEOPLE WITH ALLERGIES**
NO AIR MOVEMENT, NO DUST AND NO SMELL
- **WIDE VARIETY OF LENGTHS**

MANUFACTURING

- double conductor heating cable fastened to a plastic lattice with negligible magnetic emissions
- 24 in. wide lattice available in several lengths
- 9 ft cold lead included

WATTAGE

- 12 W/ft² (at 240 V)
- 9 W/ft² (at 208 V)

CONTROL

- electronic thermostat for heated floor (optional floor sensor included with thermostat)

Note: This product must be used with a ground fault circuit interrupter (GFCI) unless this is not required by the national or local code in the region where it is being installed.

INSTALLATION

- never cut the cable
- for indoor residential and commercial applications only
- can be installed under a 4 to 6 in. concrete slab or under a 1.5 to 4 in. concrete floor covering
- compatible with most floor coverings*
- can be installed with or without a metal frame for reinforced concrete
- supplied materials: plastic floor staples, 15 ft floor sensor, warranty card and electrical panel label

WARRANTY

- twenty years

*For more information about the types of floor coverings under which you can safely install a heating cable, we strongly recommend you contact the relevant floor covering manufacturers.

IDEAL FOR:

basement, garage, bathroom, dining room, kitchen, living room, workshop, pool, shower, vestibule, hospital, hotel, factory, commercial space, restaurant, solarium, greenhouse

FOR MAXIMUM EFFICIENCY

ELECTRONIC THERMOSTATS FOR HEATING CABLE

SINGLE PROGRAMMING



MULTIPLE PROGRAMMING



°STELPRO

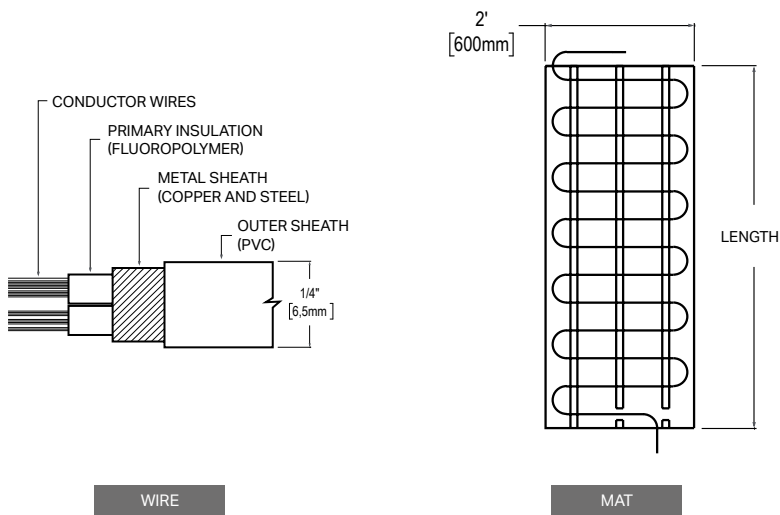
TECHNICAL SPECIFICATIONS

PRODUCT CODE	DIMENSIONS (FT)		AREA	POWER		AMPERAGE	WEIGHT
	WIDTH	LENGTH	FT ²	WATTS	BTU/H	AMPERAGE	LB
240/208 VOLTS							
SECM2W0150S012	2	6	12	150/113	512/386	0.6/0.5	2.6
SECM2W0300S025	2	13	25	300/225	1024/768	1.3/1.1	4.1
SECM2W0400S033	2	17	33	400/300	1365/1024	1.7/1.4	5.1
SECM2W0500S042	2	21	42	500/375	1706/1280	2.1/1.8	6.0
SECM2W0600S050	2	25	50	600/450	2048/1536	2.5/2.2	7.0
SECM2W0750S063	2	31	63	750/563	2560/1921	3.1/2.7	8.5
SECM2W0850S071	2	35	71	850/638	2901/2177	3.5/3.1	9.4
SECM2W1000S083	2	42	83	1000/750	3413/2560	4.2/3.6	10.9
SECM2W1100S092	2	46	92	1100/825	3754/2815	4.6/4	12.0
SECM2W1250S104	2	52	104	1250/938	4266/3201	5.2/4.5	13.3
SECM2W1375S115	2	57	115	1375/1031	4692/3518	5.7/5	14.5
SECM2W1500S125	2	63	125	1500/1125	5119/3839	6.3/5.4	15.9
SECM2W1750S146	2	73	146	1750/1313	5972/4481	7.3/6.3	18.5
SECM2W2000S167	2	83	167	2000/1500	6825/5119	8.3/7.2	20.6
SECM2W2250S188	2	94	188	2250/1688	7679/5761	9.4/8.1	23.1
SECM2W2400S200	2	100	200	2400/1800	8190/6143	10.0/8.7	24.6
SECM2W2500S208	2	104	208	2500/1875	8532/6399	10.4/9	25.6
SECM2W2625S219	2	109	219	2625/1969	8958/6720	10.9/9.5	27.0
SECM2W2750S229	2	115	229	2750/2063	9385/7040	11.5/9.9	28.2
SECM2W2875S240	2	120	240	2875/2156	9812/7358	12.0/10.4	29.6
SECM2W3000S250	2	125	250	3000/2250	10 238/7679	12.5/10.8	30.9
SECM2W3250S271	2	135	271	3250/2438	11 091/8320	13.5/11.7	33.6
SECM2W3500S292	2	146	292	3500/2625	11 944/8958	14.6/12.6	36.4

ACCESSORIES

PRODUCT	DESCRIPTION
STCNPW5	single programming thermostat for heating cable
STCPW5	multiple prog. thermostat for heating cable
TH115F12VDC	master thermostat with (120 V/240 V) relay for large surfaces (12 V)
CT230GA	relay to be used with master thermostat for large surfaces [15 A @ 120 V-240 V, 50/60 Hz]
STSCC	thermostat sensor for heating cable
SECRK	repair kit (SECM-SSC-SSCM)
P-BE-00	plastic staple (pack of 25)
SECMS	cable stapler

TECHNICAL DRAWINGS



SSC, SSCM

SNOW MELTING SYSTEM



EXPERIENCE WINTER IN A WHOLE NEW WAY!

Have you ever wished snow could melt from exterior surfaces all on its own? With Stelpro's brand-new snow melting system, your wish is granted! Perfect for residential and commercial outdoor locations, it reduces snow and ice build-up on the ground. Available as a carpet or as a cable for driveways, walkways, sidewalks or stairs, it can be installed under concrete, asphalt and pavers. This year, experience winter a whole new way with Stelpro's snow melting system.

- **MAT AND CABLE MODELS AVAILABLE**
- **LONGER INFRASTRUCTURE LIFESPAN**
GUARDS AGAINST DAMAGE DUE TO ABRASIVES, CHEMICALS AND SNOW REMOVAL EQUIPMENT
- **CLEARER PATHS AND DRIVEWAY**
PREVENTS FALLS AND ACCIDENTS
- **LESS HOUSEHOLD MAINTENANCE INDOORS**
REDUCES THE NEED FOR CHEMICALS AND ABRASIVES

MANUFACTURING

- fluoropolymer-insulated double heating element
- PVC-coated insulated conductor with coiled copper shielding
- ultra-resistant thermoplastic-coated sheath

WATTAGE

- 50 W/ft² at 240 V and 347 V (3 in. spacing)
- 37.5 W/ft² at 208 V (3 in. spacing)

CONTROL

- snow melting system control (optional)

INSTALLATION

- never cut the cable
- suitable for residential or commercial outdoor use only
- can be installed under asphalt, concrete and pavers

WARRANTY

- ten years

IDEAL FOR:
driveway, stairs, sidewalk, walkway, pavers, terrace, public thoroughfare, garage entryway, parking lot, loading bay

ACCESSORIES	
PRODUCT	DESCRIPTION
DS-2C	Snow melting control for SSC/SSCM - 1 circuit 30A - 100 @ 277V
DS-5C	Snow melting control for SSC/SSCM - 2 circuits 30A - 100 @ 277V
PYROBOX3	Control pannel with 4 contactors (2P, 30A) up to 277V & 120A output to heaters
PYROBOX3C	Control pannel with 2 contactors (3P, 50A) up to 600V & 300A output to heaters + 1 contactor (2P, 30A)
PYROBOX5	Control pannel with 5 contactors (3P, 50A) up to 600V & 600A output to heaters
PYROSB	Wall mounted adjustable metal fixture for the Pyrosense
PYROSENSE	Electronic snow and ice sensor for Pyrobox with 30 ft wire
PYROULS	30 ft upper limit temperature sensor for Pyrobox
SECRK	Repair kit (SECM-SSC-SSCM)
SIT6E	SIT-6E pavement sensor
SSCHOUSING	Housing for SIT6E & HSC24

TECHNICAL SPECIFICATIONS

PRODUCT CODE	VOLTAGE VOLTS	DIMENSIONS (FT)		AREA FT ²	POWER		AMPERAGE AMPS	POWER DENSITY W/FT ²
		WIDTH	LENGTH		WATTS	BTU/H		
240/208 VOLTS								
SSCM2W0500L2S010	240/208	2	5	10	500/375	1705/1279	2.1/1.8	50/37.5
SSCM2W1000L2S020	240/208	2	10	20	1000/750	3410/2558	4.2/3.6	50/37.5
SSCM2W1500L2S030	240/208	2	15	30	1500/1125	5115/3836	6.3/5.4	50/37.5
SSCM2W2000L2S040	240/208	2	20	40	2000/1500	6820/5115	8.3/7.2	50/37.5
SSCM2W2500L2S050	240/208	2	25	50	2500/1875	8525/6394	10.4/9.0	50/37.5
SSCM2W3000L2S060	240/208	2	30	60	3000/2250	10 230/7673	12.5/10.8	50/37.5
SSCM2W3500L2S070	240/208	2	35	70	3500/2625	11 935/8951	14.6/12.6	50/37.5
SSCM2W4000L2S080	240/208	2	40	80	4000/3000	13 640/10 230	16.7/14.4	50/37.5
SSCM2W4500L2S090	240/208	2	45	90	4500/3375	15 345/11 509	18.8/16.2	50/37.5
SSCM2W5000L2S100	240/208	2	50	100	5000/3750	17 050/12 788	20.8/18.0	50/37.5
SSCM2W6000L2S120	240/208	2	60	120	6000/4500	20 460/15 345	25.0/21.6	50/37.5
SSCM2W1500L3S030	240/208	3	10	30	1500/1125	5115/3836	6.3/5.4	50/37.5
SSCM2W3000L3S060	240/208	3	20	60	3000/2250	10 230/7673	12.5/10.8	50/37.5
SSCM2W3750L3S075	240/208	3	25	75	3750/2813	12 788/9592	15.6/13.5	50/37.5
SSCM2W4500L3S090	240/208	3	30	90	4500/3375	15 345/11 509	18.8/16.2	50/37.5
SSCM2W6000L3S120	240/208	3	40	120	6000/4500	20 460/15 345	25.0/21.6	50/37.5
277 VOLTS								
SSCM7W0500L2S010	277	2	5	10	500	1706	1.8	50
SSCM7W1000L2S020	277	2	10	20	1000	3413	3.6	50
SSCM7W1500L2S030	277	2	15	30	1500	5119	5.4	50
SSCM7W2000L2S040	277	2	20	40	2000	6825	7.2	50
SSCM7W2500L2S050	277	2	25	50	2500	8532	9.0	50
SSCM7W3000L2S060	277	2	30	60	3000	10 238	10.8	50
SSCM7W3500L2S070	277	2	35	70	3500	11 944	12.6	50
SSCM7W4000L2S080	277	2	40	80	4000	13 651	14.4	50
SSCM7W4500L2S090	277	2	45	90	4500	15 357	16.2	50
SSCM7W5000L2S100	277	2	50	100	5000	17 064	18.1	50
SSCM7W6000L2S120	277	2	60	120	6000	20 476	21.7	50
SSCM7W1500L3S030	277	3	10	30	1500	5119	5.4	50
SSCM7W3000L3S060	277	3	20	60	3000	10 238	10.8	50
SSCM7W3750L3S075	277	3	25	75	3750	12 798	13.5	50
SSCM7W4500L3S090	277	3	30	90	4500	15 357	16.2	50
SSCM7W6000L3S120	277	3	40	120	6000	20 476	21.7	50

CABLE (3 in. spacing)

TECHNICAL SPECIFICATIONS

PRODUCT CODE	VOLTAGE VOLTS	DIMENSIONS (FT)		AREA FT ²	POWER		AMPERAGE AMPS	POWER DENSITY W/FT ²
		LENGTH			WATTS	BTU/H		
240/208 VOLTS								
SSC2W0450S009	240/208	37		9	450/338	1535/1153	1.9/1.6	50/37.5
SSC2W1000S020	240/208	84		20	1000/750	3410/2558	4.2/3.6	50/37.5
SSC2W1400S028	240/208	118		28	1400/1050	4774/3581	5.8/5.0	50/37.5
SSC2W2000S040	240/208	168		40	2000/1500	6820/5115	8.3/7.2	50/37.5
SSC2W2500S050	240/208	209		50	2500/1875	8525/6394	10.4/9.0	50/37.5
SSC2W3000S060	240/208	251		60	3000/2250	10 230/7673	12.5/10.8	50/37.5
SSC2W4000S080	240/208	335		80	4000/3000	13 640/10 230	16.7/14.4	50/37.5
SSC2W4500S090	240/208	375		90	4500/3375	15 345/11 509	18.8/16.2	50/37.5
SSC2W5000S100	240/208	420		100	5000/3750	17 050/12 788	20.8/18.0	50/37.5
SSC2W6000S120	240/208	500		120	6000/4500	20 460/15 345	25.0/21.6	50/37.5
277 VOLTS								
SSC7W0450S009	277	37		9	450	1536	1.6	50
SSC7W1000S020	277	84		20	1000	3413	3.6	50
SSC7W1400S028	277	118		28	1400	4778	5.1	50
SSC7W2000S040	277	168		40	2000	6825	7.2	50
SSC7W2500S050	277	209		50	2500	8532	9.0	50
SSC7W3000S060	277	251		60	3000	10 238	10.8	50
SSC7W4000S080	277	335		80	4000	13 651	14.4	50
SSC7W4500S090	277	375		90	4500	15 357	16.2	50
SSC7W5000S100	277	420		100	5000	17 064	18.1	50
SSC7W6000S120	277	500		120	6000	20 476	21.7	50

PYROBOX

CONTROL PANELS FOR SNOW MELTING SYSTEMS



- **THREE MODELS AVAILABLE**
FOR MAXIMUM COMPATIBILITY
BASED ON REQUIRED VOLTAGE
- **CABLE PASS-THROUGH
HOLES UNDER THE PANEL**
MAKE INSTALLATION EASIER
FOR THE ELECTRICIAN
- **EASY TO OPERATE**
EASY TO USE AND PROGRAM
CONTROLLER
- **MULTI-ZONE CONTROL**
FIVE ZONES POSSIBLE THANKS
TO SEQUENTIAL CONTROL
- **COMPATIBLE WITH SIT-6E**
PAVER SENSOR

COLOR

- grey

MANUFACTURING

- built-in adjustable GFCI
- IP20 enclosure protection for Indoor installation

APPLICATIONS

- driveways
- sidewalks
- loading docks
- stairs and pavement

CONTROL

- electronic with adjustable parameters for customized installations
- test mode to perform a quick system check
- a third-party terminal is available to connect a SIT-6E™ sensor and control some or all zones
- sequencing zone option: enables larger snow melting area with reduced power consumption on site
- multiple snow sensor input (optional)
- energy efficient algorithm
- adjustable setpoints: upper and lower limit temperature, hold ON/OFF delay, manual ON and time splitting between zones

DIMENSIONS

- Pyrobox 3 and 3C
15x12x6 in. (380x300x155 mm)
- Pyrobox5
20x20x8 in. (500x500x200 mm)

WARRANTY

- two years

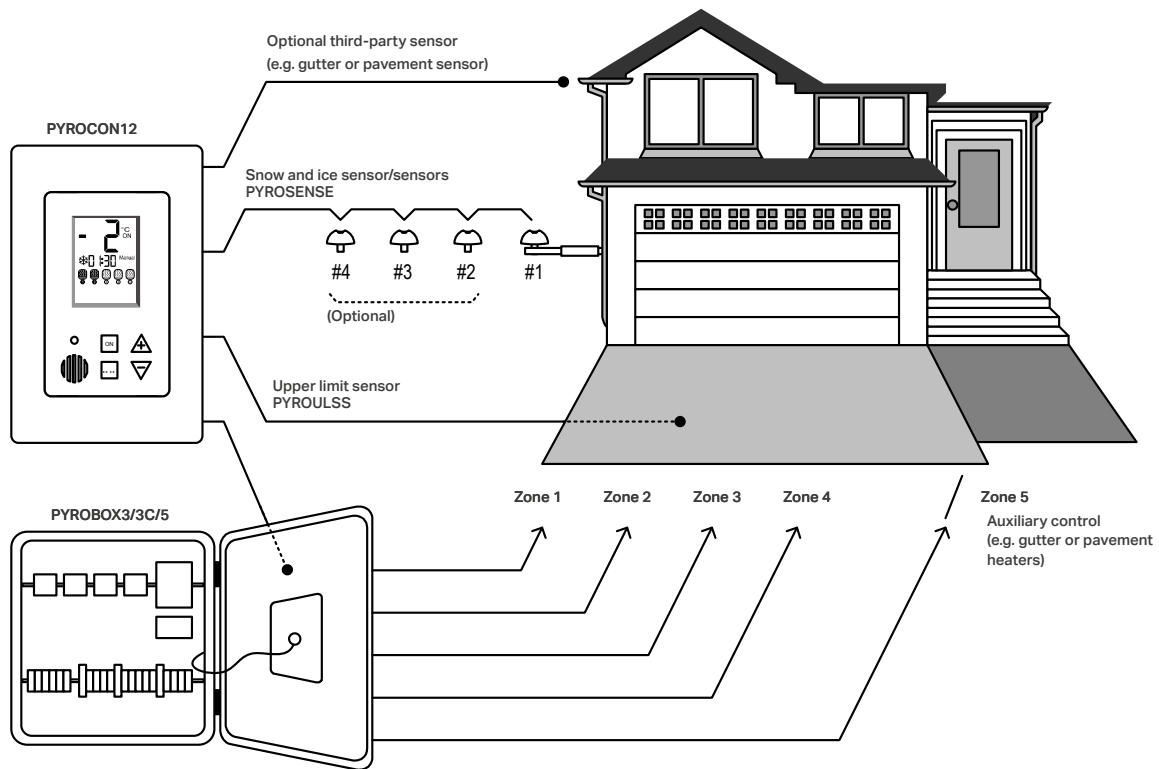
DESIGNED FOR:



SST/SSCM

TECHNICAL SPECIFICATIONS

PRODUCT	NUMBER OF CONTACTORS	POLES PER CONTACTOR	TOTAL AMPERAGE	MAXIMUM VOLTAGE
CODE			AMPS	VOLTS
PYROBOX3	4	2P	120	277
PYROBOX3C	3	2X3P + 1X2P	330	600
PYROBOX5	5	4X3P + 1X2P	600	600



PYROSENSE

SNOW AND TEMPERATURE SENSOR

- 30-foot connection cable
- Shaped to avoid snow build-up
- Four spikes to keep birds away
- Easy to configure with the controller



PYROSB

RUSTPROOF METAL SUPPORT DESIGNED FOR THE PYROSENSE SENSOR

- Adjustable length (up to 24 inches)
- Holes on the side to secure the PYROSENSE cable with cable ties



PYROULS

TEMPERATURE SENSOR

- Measures ground temperature to prevent the cable from heating if the ground is already warm
- 30 feet in length

ACCESSORIES

PRODUCT	DESCRIPTION
PYROSENSE	electronic snow and ice sensor for PYROBOX with 30 ft wire
PYROSB	wall-mounted adjustable metal bracket for the PYROSENSE
PYROULS	30 ft upper limit temperature sensor for PYROBOX

SCPT

CONSTANT WATTAGE PIPE FREEZE PROTECTION HEATING CABLE



SAY GOODBYE TO FROZEN PIPES

This preassembled heating cable is designed to prevent pipes from freezing and avoid water damage. The cable is easy to install thanks to its 120 V plug, and the integrated thermostat triggers heat only when necessary. The cable is installed on pipes under insulation and protects against freezing down to -40 °F. Ideal for metal or plastic pipes up to 1.5 in. in diameter.*

- **PREVENTS PIPE BREAKAGE AND WATER DAMAGE**
- **IDEAL FOR PLASTIC OR METAL PIPES**
- **LIGHTED PLUG POWER INDICATOR**
- **INTEGRATED THERMOSTAT THAT TRIGGERS AT 37 °F TO PREVENT FREEZING**

MANUFACTURING

- tough XLPE inner insulation
- AL foil and continuous ground braid
- weather resistant PVC (high-low temperature) out jacket
- twin conductor
- bending radius of 1 inch
- 2 ft cold lead with plug

WATTAGE

- 7 W/ft

CONTROL

- built-in thermostat

INSTALLATION

- install at a temperature above 14 °F

WARRANTY

- two years

*The cable must never cross over itself. Plastic pipes must always be filled with water.



**QUICK PLUG-IN INTO
RESIDENTIAL 120 V OUTLET**

IDEAL FOR:

pipes at risk of freezing

°STELPRO

TECHNICAL SPECIFICATIONS

PRODUCT	LENGTH	POWER	AMPERAGE
CODE	FT	WATTS	AMPS
120 VOLTS			
SCPT1W0021L0003	3	21	0.2
SCPT1W0042L0006	6	42	0.4
SCPT1W0063L0009	9	63	0.5
SCPT1W0084L0012	12	84	0.7
SCPT1W0105L0015	15	105	0.9
SCPT1W0126L0018	18	126	1.1
SCPT1W0168L0024	24	168	1.4
SCPT1W0210L0030	30	210	1.8
SCPT1W0280L0040	40	280	2.3
SCPT1W0420L0060	60	420	3.5



SCRG

CONSTANT WATTAGE ROOF AND GUTTER DE-ICING HEATING CABLE



LESS WEIGHT ON YOUR ROOF

This preassembled heating cable is designed to prevent ice damming on roofs and gutters, which could be harmful to the roof and dangerous for passers-by.* The roof and gutter de-icing cable creates a path that allows water to flow normally through the gutters. It's easy to install on any type of inclined roof. It can also be installed in metal or plastic gutters.

- **PREVENT ROOF DAMAGE AND LEAKING**
- **KEEP GUTTERS AND DOWNSPOUTS FLOWING**
- **PREASSEMBLED READY TO INSTALL**
- **THERMOSTAT WITH TEMPERATURE AND MOISTURE SENSORS (OPTIONAL)**

MANUFACTURING

- tough XLPE inner insulation
- continuous ground braid
- weather resistant PVC (high-low temperature) out jacket
- twin conductor
- bending radius of 1 inch
- 6 ft cold lead with plug

WATTAGE

- 5 W/ft

CONTROL

- controller with moisture and ambient temperature sensors (optional)

INSTALLATION

- install at a temperature above 32 °F

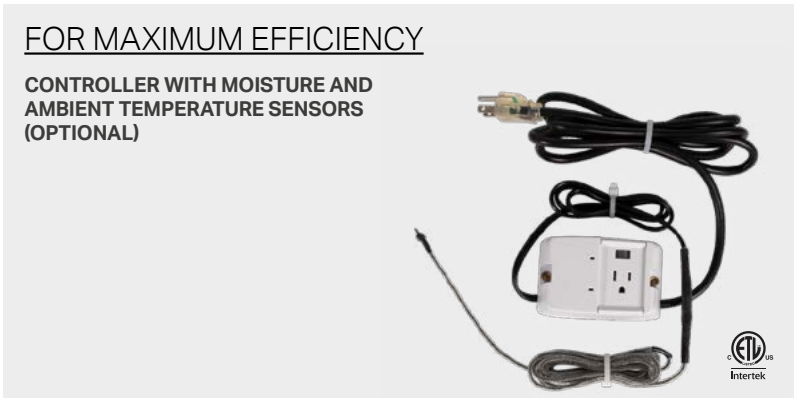
WARRANTY

- two years

*Never install on a flat roof. This cable is not designed to remove all the snow from a roof.



IDEAL FOR:
roofs and gutters with ice damming problems



°STELPRO



TECHNICAL SPECIFICATIONS

PRODUCT	LENGTH	POWER	AMPERAGE
CODE	FT	WATTS	AMPS
120 VOLTS			
SCRG1W0150L0030	30	150	1.3
SCRG1W0300L0060	60	300	2.5
SCRG1W0400L0080	80	400	3.3
SCRG1W0500L0100	100	500	4.2
SCRG1W0600L0120	120	600	5.0
SCRG1W0800L0160	160	800	6.7
SCRG1W1000L0200	200	1000	8.3
SCRG1W1200L0240	240	1200	10.0

ACCESSORY

PRODUCT	DESCRIPTION
SCRG-CONTROL	control for SCRG cable with moisture and ambient temperature sensors (120 V @ 10 A)



SSFP

SELF-REGULATING FREEZE PROTECTION PREASSEMBLED CABLE



MELT AWAY YOUR WORRIES

This heating cable protects pipes, roofs and gutter systems from damage due to freezing and can be used in residential and light commercial applications. The self-regulating freeze protection cable automatically adjusts its heat output according to the ambient temperature conditions. Under cooler conditions, the heat output increases, and as the temperature rises, the output decreases to save on energy. This product comes preassembled in various lengths and is available in 120 V and 240 V.

- **SELF-REGULATING PREASSEMBLED CABLE**
- **FOR RESIDENTIAL AND COMMERCIAL APPLICATIONS**
- **240 V MODELS AVAILABLE WITH THREE-WIRE PIGTAIL**
- **WIDE VARIETY OF LENGTHS**

MANUFACTURING

- normal cable width 0.42 in.
- normal cable thickness 0.23 in.
- cable bus wire gauge 16 AWG
- cold lead length 6 ft

WATTAGE

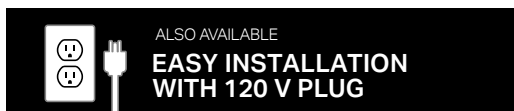
- 5 W/ft at 50°F

INSTALLATION

- minimum circuit breaker size is 15 amps
- maximum exposure temperature is 185°F
- electrical classification: nonhazardous

WARRANTY

- two years



IDEAL FOR:

pipes at risk of freezing and roofs and gutters with ice damming problems



°STELPRO

TECHNICAL SPECIFICATIONS

PRODUCT	LENGTH	REFERENCE	COLD LEAD WITH PLUG	POWER OUTPUT ON PIPE		
				WATTS @ 50°F	WATTS @ 40°F	WATTS @ 32°F
CODE	FT		AWG			
120 VOLTS						
SSFP1W05L0006	6	A	18	30	36	60
SSFP1W05L0012	12	B	18	60	72	120
SSFP1W05L0018	18	C	18	90	108	180
SSFP1W05L0024	24	D	18	120	144	240
SSFP1W05L0036	36	E	18	180	216	360
SSFP1W05L0050	50	F	16	250	300	500
SSFP1W05L0075	75	G	16	375	450	750
SSFP1W05L0100	100	H	16	500	600	1000
SSFP1W05L0125	125	I	14	625	750	1250
SSFP1W05L0150	150	J	14	750	900	1500
240 VOLTS						
SSFP2W05L0036	36	E	18	180	216	360
SSFP2W05L0050	50	F	16	250	300	500
SSFP2W05L0075	75	G	16	375	450	750
SSFP2W05L0100	100	H	16	500	600	1000
SSFP2W05L0125	125	I	14	625	750	1250
SSFP2W05L0150	150	J	14	750	900	1500

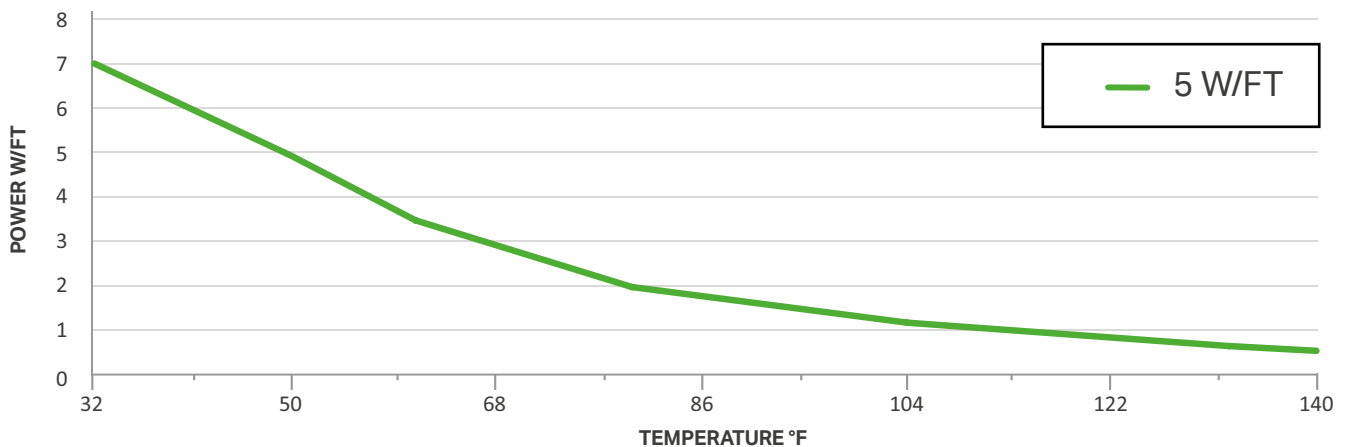
PIPE CABLE SELECTION

TYPE OF PIPE	PIPE DIAMETER (IN.)	PIPE LENGTH (FT)																								
		5	10	15	20	25	30	35	40	45	50	55	60	65	70	75	80	85	90	95	100	110	120	130	140	150
Metal	½	A	B	C	D	E	E	E	F	F	F	G	G	G	G	H	H	H	H	H	I	I	J	J	J	
	1	A	B	C	D	E	E	E	F	F	F	G	G	G	G	H	H	H	H	H	I	I	J	J	J	
	1½	A	B	C	D	E	E	E	F	F	F	G	G	G	G	H	H	H	H	H	I	I	J	J	J	
	2	A	B	C	D	E	E	E	F	F	G	G	G	G	G	H	H	H	H	H	I	I	J	J	J	-
	2½	A	B	C	D	E	E	E	F	F	G	G	G	G	G	H	H	H	H	H	I	I	J	J	J	-
Plastic	½	A	B	C	D	E	E	E	F	F	F	G	G	G	G	H	H	H	H	H	I	I	J	J	J	
	1	B	C	D	E	E	E	F	F	G	G	G	G	G	H	H	H	H	H	I	I	I	J	J	-	
	1½	B	C	D	E	F	F	F	G	G	G	H	H	H	I	I	I	J	J	J	-	-	-	-	-	
	2	B	C	E	F	F	G	G	G	H	H	I	I	J	J	-	-	-	-	-	-	-	-	-	-	
2½	B	D	E	F	G	G	G	H	H	I	I	J	J	-	-	-	-	-	-	-	-	-	-	-		

NOTE: For each valve or spigot on pipe, an additional foot of cable is needed. When the cable is longer than the pipe, spiral the excess cable around the pipe length evenly.

POWER OUTPUT CURVES

Nominal power output at 240 V when SSFR heating cable is installed on insulated metal pipes.



SSFR

SELF-REGULATING FREEZE PROTECTION CABLE REEL



MELT AWAY YOUR WORRIES

SSFR heating cable increases or decreases the heat output in a self-regulating way depending on changes in the ambient temperature, so a thermostat may not be necessary in some applications. It will never overheat or burn out even when overlapped. This heating cable reel is available with optional termination, power connection, splice and tee kits to reduce installation time and require no special tools.

■ ENERGY EFFICIENT

AUTOMATICALLY VARIES ITS POWER OUTPUT IN RESPONSE TO TEMPERATURE CHANGES

■ EASY TO INSTALL

CAN BE CUT TO ANY LENGTH (UP TO MAXIMUM CIRCUIT LENGTH) REQUIRED ON SITE WITH NO WASTED CABLE

■ SAFE

EVEN WHEN OVERLAPPED

■ POWER CONNECTION, SPLICE, TEE AND END SEAL KIT

REDUCES INSTALLATION TIME

MANUFACTURING

- normal cable width 0.42 in.
- normal cable thickness 0.23 in.
- cable bus wire gauge 16 AWG

WATTAGE

- 5 W/ft, 8 W/ft, 10 W/ft

INSTALLATION

- maximum exposure temperature is 185 °F
- Minimum installation temperature -40 °F

WARRANTY

- two years

IDEAL FOR:

pipes at risk of freezing and roofs and gutters with ice damming problems



°STELPRO

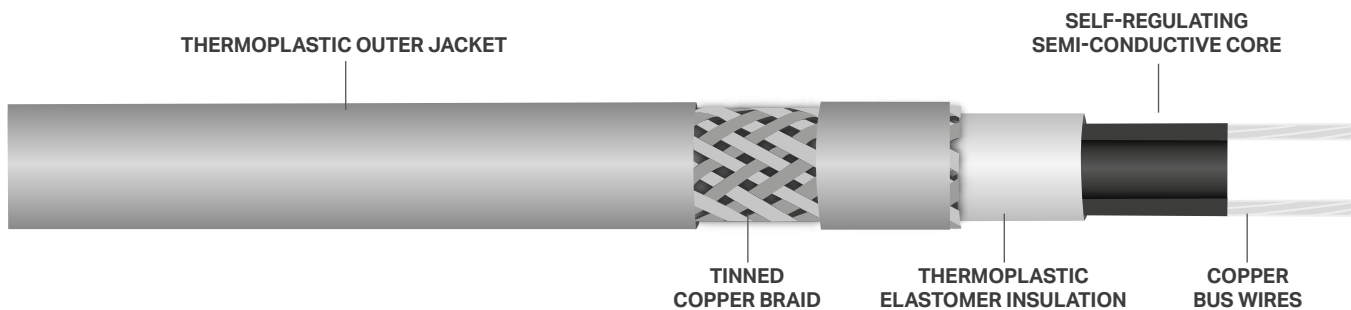
TECHNICAL SPECIFICATIONS

PRODUCT	LENGTH	POWER OUTPUT
CODE	FT	WATTS
120 VOLTS		
SSFR1W05L1000	1000	5
SSFR1W08L1000	1000	8
SSFR1W05L0500	500	5
SSFR1W08L0500	500	8
240 VOLTS		
SSFR2W05L1000	1000	5
SSFR2W08L1000	1000	8
SSFR2W10L1000	1000	10
SSFR2W05L0500	500	5
SSFR2W08L0500	500	8
SSFR2W10L0500	500	10

ACCESSORIES

PRODUCT	DESCRIPTION
SSFR-ALUTAPE	aluminum adhesive foil tape
SSFR-FIBTAPE	fiberglass adhesive tape
SSFR00	power connection kit for SSFR cable
SSFR03	fiberglass adhesive tape and warning labels
SSFR08	plug-in power connection with GFCI kit for SSFR cable
SSFR10	splice and tee kit for SSFR cable
SSFR12	end seal kit for SSFR cable
SSFR13	roof clips for SSFP/SSFR cables (Kit of 10)
SSFR14	roof clips for SSFP/SSFR cables (Kit of 50)
SSFR15	downspout cable hanger bracket for SSFP/SSFR cables
SSFR-ENDSEAL	commercial end seal kit for SSFR cable
SSFR-SPLICE	commercial splice connection kit for SSFR cable
SSFR-TEE	commercial tee connection kit for SSFR cable
SSFR-JBOX	commercial junction box for SSFR cable
FPT130	electronic controller NEMA 4, 30 A @ 100V - 277 V with GFI 30 mA, setpoint selection 30 °F, 38 °F, 45 °F or 50 °F with a 20 ft sensor
TPR-L1N-3X-Q10	thermostat NEMA 4, 22 A resistive @ 125 V/250 V/480 V, fixed setpoint at 40 °F with 3 ft tin plated copper capillary
TRF115-005	thermostat NEMA 4, 25 A resistive @ 120 V/208 V/240 V/277 V, 0 °F to 120 °F with 5 ft stainless steel capillary
GFPRO	electronic controller NEMA 4, 30 A @ 100 V - 277 V resistive with GFI 30 mA, 2 sensor inputs for GIT-1 sensor
PDPRO	electronic controller NEMA 4, 30 A @ 100 V - 277 V resistive, 2 sensor inputs for GIT-1 sensor
GIT-1	roof and gutter temperature and moisture sensor for GFPRO and PDPRO, setpoint at 38 °F
DS-8C	controller with aerial temperature and moisture deported 10 ft sensor, 30 A @ 100 - 277 V
DS-9C	controller with aerial temperature and moisture deported 10 ft sensor, 2 circuits of 30 A @ 100 - 277 V

TECHNICAL DRAWINGS

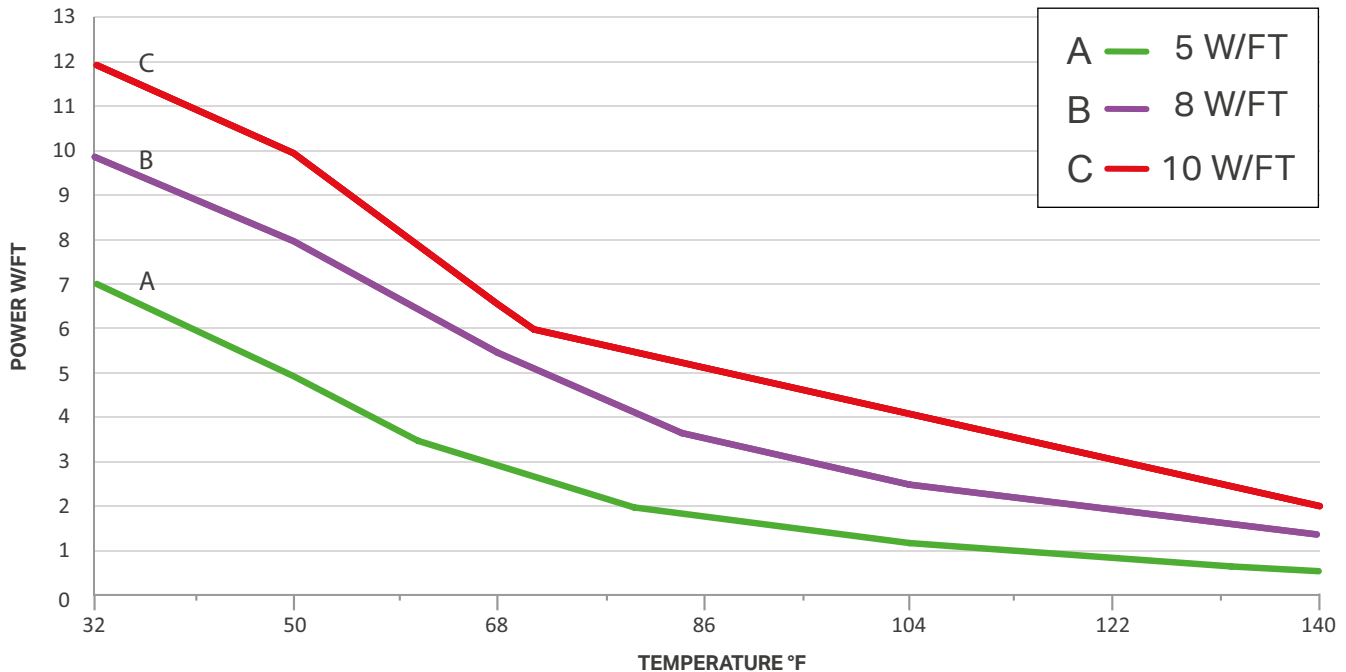


MAXIMUM CIRCUIT LENGTH PER CIRCUIT BREAKER

POWER	AMBIENT TEMPERATURE AT START-UP	120 V				240 V			
		15 A	20 A	30 A	40 A	15 A	20 A	30 A	40 A
W/FT	°F	FT				FT			
5	50	230	270	270	270	460	540	540	540
	32	230	270	270	270	460	540	540	540
	14	180	210	270	270	360	420	540	540
	0	140	190	270	270	285	380	540	540
	-20	125	165	250	270	250	330	500	540
	-40	110	145	220	270	220	295	420	540
8	50	150	200	210	210	300	400	420	420
	32	150	200	210	210	300	400	420	420
	14	140	150	205	210	280	300	410	420
	0	100	130	200	210	200	265	400	420
	-20	85	115	175	210	175	235	350	420
	-40	80	105	155	210	155	210	315	420
10	50	---	---	---	---	240	315	360	360
	32	---	---	---	---	210	280	340	360
	14	---	---	---	---	190	250	330	360
	0	---	---	---	---	160	215	325	360
	-20	---	---	---	---	145	190	285	360
	-40	---	---	---	---	125	170	255	340

POWER OUTPUT CURVES

Nominal power output at nominal voltage (120 V or 240 V) when SSFR heating cable installed on insulated metal pipes.



ADJUSTMENT FACTORS

POWER	POWER OUTPUT		CIRCUIT LENGTH	
	208 V	277 V	208 V	277 V
5	0.85	1.12	0.94	1.09
8	0.89	1.08	0.93	1.11
10	0.89	1.08	0.92	1.11

Controls

Stelpro has developed a wide selection of smart controls that range from simple programmable electronic thermostats to remotely connected models. Manufactured and tested in Quebec, they are perfectly adapted to our electric room heating systems that features baseboards, convectors and fan heaters. Easy to install and safe to use, they can yield up to 25% in energy savings. Take control of your comfort!

ASAT402ZB – ALLIA™

ZIGBEE THERMOSTAT FOR CONNECTED HOME

4000 W



CONNECTED COMFORT

The Allia thermostat leverages the Zigbee network so that you can set up your ecosystem to control room temperatures remotely. Entirely designed and manufactured in Canada, the Allia thermostat was developed specifically for the smart home. Depending on the hub you choose, you'll be able to adapt it to your daily routines and increase your comfort. The Allia is compatible with the most popular Zigbee hubs including the 4th generation Alexa Echo.

- **CONTROL AT THE TOUCH OF YOUR FINGERTIPS**
BY CONNECTING THE THERMOSTAT TO A ZIGBEE COMPATIBLE HUB
- **UNPARALLELED ACCURACY**
FOR COMFORT WITHOUT TEMPERATURE FLUCTUATIONS
- **SUITABLE FOR ALL ELECTRIC HEATERS**
BASEBOARDS, CONVECTORS AND FAN HEATERS
- **ELECTRICITY SAVINGS**
ENERGY SAVINGS UP TO 20% DEPENDING ON USE*

COMPATIBILITY

- Zigbee hub

COMMUNICATION ANTENNA

- Zigbee 3.0

COLOR

- white

FINISH

- molded plastic

WATTAGE AND VOLTAGE

- 150 W to 2000 W @ 120 V
- 260 W to 3400 W @ 208 V
- 300 W to 4000 W @ 240 V

CONTROL

- display lock
- sleep mode – 2 intensity levels
- open window feature – freeze protection (41°F) if a drastic temperature drop is detected
- lobby mode for fan heaters – maintains the setpoint if a rapid drop in temperature is detected

ACCURACY

- accurately controls the ambient temperature to $\pm 1^\circ\text{F}$
- CSA C828-19
- thermistor temperature reading

TEMPERATURE RANGE

- 41 to 86 °F

WARRANTY

- three years

*study carried out by an independent university team

COMPATIBLE WITH



amazon alexa
4th GENERATION ECHO

To find out which home automation systems are compatible with your Allia thermostat, visit <https://www.stelpro.com/en/products/allia-smart-home-thermostat-asat402zb/>

TECHNICAL SPECIFICATIONS

PRODUCT	WATTS		VOLTAGE	AMPERAGE	FREQUENCY
CODE	MINIMUM	MAXIMUM	VOLTS	AMPERES	HZ
ASAT402ZB	150	2000	120	16.7	60
	260	3400	208		
	300	4000	240		

Dimensions: 5 3/8 in. wide, 5 3/8 in. high and 1 1/4 in. deep

°STELPRO

SALC0503ZB – ALLIA™

SMART RESISTIVE LOAD CONTROLLER FOR CONNECTED HOME



LINK UP TO THE ALLIA SMART LOAD CONTROLLER

With the Allia Resistive Load Controller, you can set your electric water heater, pool heat pump or outdoor lighting to operate only when needed from your phone, wherever you are. Perfect for other large residential and commercial resistive loads such as neon signs. The resistive load controller is compatible with the most popular Zigbee hubs including the 4th generation Alexa Echo.

- **CONTROL AT THE TOUCH OF YOUR FINGERTIPS**
BY CONNECTING THE THERMOSTAT TO A ZIGBEE COMPATIBLE HUB
- **OPTIMIZE DEVICE USE**
BASED ON YOUR LIFESTYLE
- **ENERGY SAVINGS**
WITH USAGE-BASED CONSUMPTION

COMPATIBILITY

- Zigbee Hub

COMMUNICATION ANTENNA

- Zigbee 3.0

COLOUR

- white

FINISH

- moulded plastic

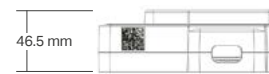
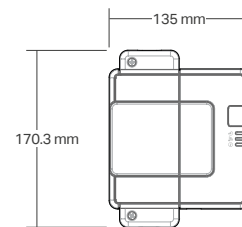
CONTROL

According to the app

- remote control
- time or astronomical programming
- on/off control

WARRANTY

- three years



COMPATIBLE WITH

Zigbee



amazon alexa

4th GENERATION ECHO

To find out which home automation systems are compatible with your Allia thermostat, visit www.stelpro.com/en/products/smart-resistive-load-controller-salc0503zb/

IDEAL FOR :

Electric water heaters, pool pumps, outdoor lighting, neon signs and other large residential and commercial resistive loads

TECHNICAL SPECIFICATIONS

PRODUCT	NOMINAL VOLTAGE (VCA)	120	240	277	347	
SALC0503ZB	Resistive		50 A		20 A	
	Incandescent		20 A		N/A	
	Magnetic ballast		20 A		15 A	
	Electronic ballast			15 A		N/A
	Motor	1.5 HP		3 HP		N/A

STELPRO

Stelpro reserves the right to modify descriptions, manufacturing specifications or prices without prior notice. No returns accepted on optional-color products. For all the latest models and prices, please refer to our website at www.stelpro.com.



STZW402 – KI™ Z-WAVE

ELECTRONIC THERMOSTAT FOR SMART HOME

4000 W



CONNECTED COMFORT

KI Z-Wave thermostats can easily be integrated into your home's **Z-Wave** network, so you can adjust the temperature setpoint of rooms in your home from a distance.

- **INTEGRATES EASILY WITH A SMART HOME HUB**
- **CONTROL WITH A MOBILE APPLICATION**
DEPENDING ON THE HUB
- **ELECTRICITY SAVINGS**
ENERGY SAVINGS OF 10-15% DEPENDING ON USE*

COMPATIBILITY

- **Z-Wave hub required**
- Z-Wave Plus certified

COLOR

- white

FINISH

- molded plastic

WATTAGE AND VOLTAGE

- 150 W to 2000 W @ 120 V
- 300 W to 4000 W @ 240 V

CONTROL

- two functions available: comfort and economy
- two- or four-wire connection
- outdoor temperature display†
- frost-free warning
- display in Celsius or Fahrenheit
- backlit screen with adjustable intensity

ACCURACY

- accurate ambient temperature control of ± 1 °F
- CSA C828-13
- temperature sensing with thermistor

TEMPERATURE RANGE

- 41 to 86 °F

WARRANTY

- three years

* independent study

† depending on the central controller and its application

COMPATIBLE WITH



For home automated system compatibilities and instructions on connecting to your KI thermostat, visit www.stelpro.com.

TECHNICAL SPECIFICATIONS

PRODUCT	WATTS		VOLTAGE	AMPERAGE	FREQUENCY
CODE	MINIMUM	MAXIMUM	VOLTS	AMPERES	HZ
STZW402WB+	150/300	2000/4000	120/240	16.7	50/60

Dimensions: 4 7/8 in. wide, 4 7/8 in. high and 1 3/8 in. deep

°STELPRO

STE403NP

ELECTRONIC THERMOSTAT – SINGLE PROGRAMMING

5750 W



PRACTICAL AND EFFICIENT!

The STE403NP electronic thermostat allows you to precisely control the temperature. It has a Security mode that lets you program a maximum temperature setpoint. It's simple and safe!

■ SIMPLE TO USE AND INSTALL

■ **GREAT POWER**
5750W @ 347V

■ **INCREASED SAVINGS AND COMFORT**
INCOMPARABLE ACCURACY

■ **ELECTRICITY SAVINGS**
ENERGY SAVINGS OF 10-15% DEPENDING ON USE*

COLOR

- white

FINISH

- molded plastic

WATTAGE AND VOLTAGE

- 150 W to 2000 W @ 120 V
- 260 W to 3475 W @ 208 V
- 300 W to 4000 W @ 240 V
- 350 W to 4600 W @ 277 V
- 400 W to 5750 W @ 347 V

CONTROL

- acts like a programmable thermostat by automatically lowering the temperature once per 24-hour period (Single programming mode)
- compatible with forced-air units (Fan mode)
- frost-free warning
- lock option at a maximum temperature setpoint (Security mode)
- display in Celsius or Fahrenheit

ACCURACY

- accurate ambient temperature control of ± 1 °F
- CSA C828-13
- temperature sensing with thermistor

TEMPERATURE RANGE

- 37 to 86 °F

WARRANTY

- three years
- *independent study

TECHNICAL SPECIFICATIONS

PRODUCT	WATTS		VOLTAGE	AMPERAGE	FREQUENCY
	MINIMUM	MAXIMUM	VOLTS	AMPERES	HZ
STE403NPW24	150/260/300/350/400	2000/3475/4000/4600/5750	120/208/240/277/347	16.7	50/60

Dimensions: 4 1/2 in. wide, 4 7/8 in. high and 1 3/8 in. deep

°STELPRO

Stelpro reserves the right to modify descriptions, manufacturing specifications or prices without prior notice. No returns accepted on optional-color products. For all the latest models and prices, please refer to our website at www.stelpro.com.



ST302P, ST402P

ELECTRONIC THERMOSTATS FOR BASEBOARDS AND CONVECTORS

PROGRAMMABLE



3000 W

4000 W



CUSTOMIZED COMFORT IN THREE EASY STEPS

Harmonious design, superior technology and safe operation merge in Stelpro's all-new programmable electronic thermostats for baseboards and convectors. With simple three-step programming, you can manage your home's comfort while enjoying energy savings up to 20% compared to a mechanical thermostat and up to 8%* compared to a non-programmable thermostat.

- **ENERGY SAVINGS UP TO 20%***
- **SIMPLE THREE-STEP PROGRAMMING**
- **UNBEATABLE ACCURACY**
QUALITY SENSORS AND ADVANCED ALGORITHMS
- **SAFE DESIGN**
SEALED HOUSING
- **S³ MOUNTING PLATE**
STURDY, SIMPLE AND SAFE INSTALLATION

COLOR

- white

FINISH

- molded plastic

WATTAGE AND VOLTAGE

ST302P

- 150 W to 1500 W @ 120 V
- 260 W to 2600 W @ 208 V
- 300 W to 3000 W @ 240 V

ST402P

- 150 W to 2000 W @ 120 V
- 260 W to 3475 W @ 208 V
- 300 W to 4000 W @ 240 V

CONTROL

- two-wire connection
- possibility of four events on weekdays and two events on weekends
- protection against power failure (two hours)
- display in Celsius or Fahrenheit

ACCURACY

- accurate ambient temperature control of $\pm 1^\circ\text{F}$
- CSA C828-19
- temperature sensing with thermistor

TEMPERATURE RANGE

- 41 to 86 °F

WARRANTY

- five years
- *independent study

TECHNICAL SPECIFICATIONS

PRODUCT	WATTS		VOLTAGE	MAX. AMPERAGE	FREQUENCY
	MINIMUM	MAXIMUM	VOLTS	AMPERES	HZ
ST302P	150/260/300	1500/2600/3000	120/208/240	12.5	60
ST402P	150/260/300	2000/3475/4000	120/208/240	16.7	60

DIMENSIONS ST302P: 4,35 in. wide, 4,94 in. high and 1,38 in. deep
DIMENSIONS ST402P: 4,94 in. wide, 4,94 in. high and 1,38 in. deep

STELPRO

ST252NP, ST302NP, ST402NP

ELECTRONIC THERMOSTATS FOR BASEBOARDS AND CONVECTORS

NON-PROGRAMMABLE



2500 W

3000 W

4000 W



COMFORT MADE SIMPLE

Stelpro's all-new non-programmable electronic thermostats for baseboards and convectors will meet all your needs. Harmonious design, superior technology and safe operation merge to ensure your comfort in all circumstances. Thanks to their advanced technology, you'll enjoy energy savings up to 12% compared to a mechanical thermostat.

- **ENERGY SAVINGS UP TO 12%***
- **ECO MODE**
ONE-CLICK TEMPERATURE SETBACK
- **UNBEATABLE ACCURACY**
QUALITY SENSORS AND ADVANCED ALGORITHMS
- **SAFE DESIGN**
SEALED HOUSING
- **S³ MOUNTING PLATE**
STURDY, SIMPLE AND SAFE INSTALLATION

COLOR

- white

FINISH

- molded plastic

WATTAGE AND VOLTAGE

ST252NP

- 150 W to 1250 W @ 120 V
- 260 W to 2160 W @ 208 V
- 300 W to 2500 W @ 240 V

ST302NP

- 150 W to 1500 W @ 120 V
- 260 W to 2600 W @ 208 V
- 300 W to 3000 W @ 240 V

ST402NP

- 150 W to 2000 W @ 120 V
- 260 W to 3475 W @ 208 V
- 300 W to 4000 W @ 240 V

CONTROL

- two-wire connection
- eco mode: One-click temperature setback
- display in Celsius or Fahrenheit

ACCURACY

- accurate ambient temperature control of $\pm 1^\circ\text{F}$
- CSA C828-19
- temperature sensing with thermistor

TEMPERATURE RANGE

- 41 to 86 °F

WARRANTY

- five years
- *independent study

TECHNICAL SPECIFICATIONS

PRODUCT	WATTS		VOLTAGE	MAX. AMPERAGE	FREQUENCY
	MINIMUM	MAXIMUM	VOLTS	AMPERES	HZ
ST252NP	150/260/300	1250/2160/2500	120/208/240	10.4	60
ST302NP	150/260/300	1500/2600/3000	120/208/240	12.5	60
ST402NP	150/260/300	2000/3475/4000	120/208/240	16.7	60

DIMENSIONS ST252NP - ST302NP : 4,35 in. wide, 4,94 in. high and 1,38 in. deep
 DIMENSIONS ST402NP : 4,94 in. wide, 4,94 in. high and 1,38 in. deep

STELPRO

Stelpro reserves the right to modify descriptions, manufacturing specifications or prices without prior notice. No returns accepted on optional-color products. For all the latest models and prices, please refer to our website at www.stelpro.com.



ST402PFF

ELECTRONIC THERMOSTAT FOR FAN HEATERS

PROGRAMMABLE



4000 W



STAY IN TUNE WITH THE TIMES!

This new programmable electronic thermostat designed specifically for fan heaters lets you make the most of your comfort thanks to advanced features such as "Boost" and "Lobby" modes. With simple three-step programming, you can manage your home's comfort while enjoying energy savings up to 20% compared to a mechanical thermostat.

- **ENERGY SAVINGS UP TO 20%***
- **SIMPLE THREE-STEP PROGRAMMING**
- **HEAT "BOOST" FEATURE**
QUICK TEMPERATURE RISE
- **"LOBBY" MODE**
COMPENSATES FOR FAST TEMPERATURE DROPS
- **SAFE DESIGN**
SEALED HOUSING
- **S³ MOUNTING PLATE**
STURDY, SIMPLE AND SAFE INSTALLATION

COLOR

- white

FINISH

- molded plastic

WATTAGE AND VOLTAGE

- 150 W to 2000 W @ 120 V
- 260 W to 3475 W @ 208 V
- 300 W to 4000 W @ 240 V

CONTROL

- three-wire connection
- maximum power when "boost" mode is activated (with a timer)
- possibility of four events on weekdays and two events on weekends
- protection against power failure (two hours)
- display in Celsius or Fahrenheit

ACCURACY

- accurate ambient temperature control of $\pm 1^\circ\text{F}$
- CSA C828-19
- temperature sensing with thermistor

TEMPERATURE RANGE

- 41 to 86 °F

WARRANTY

- five years
- *independent study

TECHNICAL SPECIFICATIONS

PRODUCT	WATTS		VOLTAGE	MAX. AMPERAGE	FREQUENCY
	CODE	MINIMUM	MAXIMUM	VOLTS	AMPERES
ST402PFF	150/260/300	2000/3475/4000	120/208/240	16.7	60

DIMENSIONS ST402PFF : 4,94 in. wide, 4,94 in. high and 1,38 in. deep

°STELPRO

ST252NPFF, ST402NPFF

ELECTRONIC THERMOSTAT FOR FAN HEATERS

NON-PROGRAMMABLE



2500 W

4000 W



A WIND OF CHANGE!

Stelpro's all-new non-programmable electronic thermostats designed specifically for fan heaters let you make the most of your comfort thanks to advanced features such as "Boost" and "Lobby" modes. Harmonious design, superior technology and safe operation merge to ensure your comfort in all circumstances.

- **ENERGY SAVINGS UP TO 12%***
- **ECO MODE**
ONE-CLICK TEMPERATURE SETBACK
- **HEAT "BOOST" FEATURE**
RAPID TEMPERATURE RISE
- **LOBBY MODE**
COMPENSATES FOR FAST TEMPERATURE DROPS
- **SAFE DESIGN**
SEALED HOUSING
- **S³ MOUNTING PLATE**
STURDY, SIMPLE AND SAFE INSTALLATION

COLOR

- white

FINISH

- molded plastic

WATTAGE AND VOLTAGE

ST252NPFF

- 150 W to 1250 W @ 120 V
- 260 W to 2160 W @ 208 V
- 300 W to 2500 W @ 240 V

ST402NPFF

- 150 W to 2000 W @ 120 V
- 260 W to 3475 W @ 208 V
- 300 W to 4000 W @ 240 V

CONTROL

- three-wire connection
- compatible with forced-air units
- eco mode: One-click temperature setback
- maximum power when "boost" mode is activated (with a timer)
- display in Celsius or Fahrenheit

ACCURACY

- accurate ambient temperature control of $\pm 1^\circ\text{F}$
- CSA C828-19
- temperature sensing with thermistor

TEMPERATURE RANGE

- 41 to 86 °F

WARRANTY

- five years
- *independent study

TECHNICAL SPECIFICATIONS

PRODUCT	WATTS		VOLTAGE	MAX. AMPERAGE	FREQUENCY
	CODE	MINIMUM	MAXIMUM	VOLTS	AMPERES
ST252NPFF	150/260/300	1250/2160/2500	120/208/240	10.4	60
ST402NPFF	150/260/300	2000/3475/4000	120/208/240	16.7	60

DIMENSIONS ST252NPFF: 4,35 in. wide, 4,94 in. high and 1,38 in. deep
 DIMENSIONS ST402NPFF : 4,94 in. wide, 4,94 in. high and 1,38 in. deep

°STELPRO

Stelpro reserves the right to modify descriptions, manufacturing specifications or prices without prior notice. No returns accepted on optional-color products. For all the latest models and prices, please refer to our website at www.stelpro.com.



STCP

ELECTRONIC THERMOSTAT FOR HEATING FLOORS – MULTIPLE PROGRAMMING

3840 W



PROGRAMMING THE COMFORT OF YOUR FEET

This thermostat, specifically designed for heated floor systems, can read floor or ambient temperature. A booklet with more than 250 preset programs is included that can be set by simply pressing the front buttons. The STCP acts like a small computer designed to provide maximum comfort.

- **EASY PROGRAMMING**
INCLUDES 252 PRESET PROGRAMS IN "PRE-PROG" MODE
- **INCREASED SAVINGS AND COMFORT**
INCOMPARABLE ACCURACY
- **ANTICIPATED START**
REACH THE TEMPERATURE SETPOINT PRECISELY AT THE PROGRAMMED TIME
- **7-DAY PROGRAMMING**
- **CHOICE OF FLOOR OR AMBIENT TEMPERATURE CONTROL**
- **BACKLIT SCREEN**

COLOR

- white

FINISH

- molded plastic

MANUFACTURING

- built-in GFCI and pilot light (test)
- four-wire connection/DPST with bipolar tripping
- 13 ft. floor sensor included*

WATTAGE AND VOLTAGE

- maximum of 1920 W @ 120 V
- maximum of 3330 W @ 208 V
- maximum of 3840 W @ 240 V

CONTROL

- possibility of four events on weekdays and four events on weekends
- anticipated start (the thermostat reaches the desired temperature at the requested time)
- advanced floor or ambient temperature control (your choice)

- protection against power failures (two hours)
- lock option at a maximum temperature setpoint (Security mode)
- display in Celsius or Fahrenheit

ACCURACY

- accurate ambient temperature control of $\pm 1^\circ\text{F}$
- temperature sensing with thermistor

TEMPERATURE RANGE

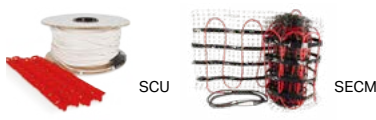
- Ambient mode: 37 to 95 °F
- Floor mode: 37 to 82 °F

WARRANTY

- three years

* This thermostat is compatible with some floor sensors sold by other manufacturers.

DESIGNED FOR:



TECHNICAL SPECIFICATIONS

PRODUCT	WATTS	VOLTAGE	AMPERAGE	FREQUENCY	GFCI
CODE	MAXIMUM	VOLTS	AMPERES	HZ	MA
STCPW5*	1920/3330/3840	120/208/240	16	50/60	5

* 5 mA thermostats have an integral Ground-Fault Circuit Interrupter (GFCI) (mandatory in bathrooms and similar room types). Please refer to the electrical and building codes in effect in your region in order to choose the best thermostat to suit your needs. Dimensions: 3 3/8 in. wide, 4 7/8 in. high and 1 in. deep (total depth: 2 3/16 in.)

°STELPRO



STCNP

ELECTRONIC THERMOSTAT FOR HEATING FLOORS – SINGLE PROGRAMMING

3840 W



CONTROL YOU CAN DEPEND ON TO HEAT YOUR FLOORS

The STCNP is a floor heating system thermostat that can read floor or ambient air temperature. The thermostat can be locked to prevent it from exceeding the selected temperature.

- **SIMPLE TO USE AND INSTALL**
- **INCREASED SAVINGS AND COMFORT**
INCOMPARABLE ACCURACY
- **CHOICE OF FLOOR OR AMBIENT TEMPERATURE CONTROL**
- **BACKLIT SCREEN**
CAN BE USED AS A NIGHTLIGHT

COLOR

- white

FINISH

- molded plastic

MANUFACTURING

- built-in GFCI and pilot light (test)
- four-wire connection/DPST with bipolar tripping
- 13 ft. floor sensor included*

WATTAGE AND VOLTAGE

- maximum of 1920 W @ 120 V
- maximum of 3330 W @ 208 V
- maximum of 3840 W @ 240 V

CONTROL

- acts like a programmable thermostat by automatically lowering the temperature once per 24-hour period (Single programming mode)

- advanced floor or ambient temperature control
- protection against power failures (two hours)
- lock option at a maximum temperature setpoint (Security mode)
- display in Celsius or Fahrenheit

ACCURACY

- accurate ambient temperature control of $\pm 1^\circ\text{F}$
- temperature sensing with thermistor

TEMPERATURE RANGE

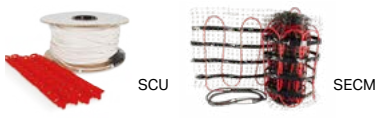
- Ambient mode: 37 to 95 °F
- Floor mode: 37 to 82 °F

WARRANTY

- three years

* This thermostat is compatible with some floor sensors sold by other manufacturers.

DESIGNED FOR:



TECHNICAL SPECIFICATIONS

PRODUCT	WATTS	VOLTAGE	AMPERAGE	FREQUENCY	GFCI
CODE	MAXIMUM	VOLTS	AMPERES	HZ	MA
STCNPW5*	1920/3330/3840	120/208/240	16	50/60	5

* 5 mA thermostats have an integral Ground-Fault Circuit Interrupter (GFCI) (mandatory in bathrooms and similar room types). Please refer to the electrical and building codes in effect in your region to choose the best thermostat to suit your needs. Dimensions: 3 3/8 in. wide, 4 7/8 in. high and 1 in. deep (total depth: 2 3/16 in.)

°STELPRO

Stelpro reserves the right to modify descriptions, manufacturing specifications or prices without prior notice. No returns accepted on optional-color products. For all the latest models and prices, please refer to our website at www.stelpro.com.



STE302R2+

ELECTRONIC DOUBLE POLE THERMOSTAT – SINGLE PROGRAMMING

3000 W



COMFORT AND SAVINGS

The STE302R2+ double-pole thermostat fits perfectly with any style. It has a useful backlit screen, can be used to control electric heating units, with or without and lets you lower the temperature at a specific time of the day.

- **SIMPLE TO USE AND INSTALL**
- **INCREASED SAVINGS AND COMFORT**
INCOMPARABLE ACCURACY
- **BACKLIT SCREEN**
CAN BE USED AS A NIGHTLIGHT
- **ELECTRICITY SAVINGS**
ENERGY SAVINGS OF 10-15% DEPENDING ON USE*

COLOR

- white

FINISH

- molded plastic

WATTAGE AND VOLTAGE

- 150 W to 1500 W @ 120 V
- 260 W to 2600 W @ 208 V
- 300 W to 3000 W @ 240 V

CONTROL

- four-wire connection
- acts like a programmable thermostat by automatically lowering the temperature once per 24-hour period (Single programming mode)
- compatible with forced-air units (Fan mode)
- frost-free warning
- lock option at a maximum temperature setpoint (Security mode)
- display in Celsius or Fahrenheit

ACCURACY

- accurate ambient temperature control $\pm 1^\circ\text{F}$
- CSA C828-13
- temperature sensing with thermistor

TEMPERATURE RANGE

- 37 to 86 °F

WARRANTY

- three years
- *independent study

TECHNICAL SPECIFICATIONS

PRODUCT	WATTS		VOLTAGE	AMPERAGE	FREQUENCY
CODE	MINIMUM	MAXIMUM	VOLTS	AMPERES	HZ
STE302R2W+	150/260/300	1500/2600/3000	120/208/240	12.5	50/60

Dimensions: 3 3/8 in. wide, 4 7/8 in. high and 1 in. deep (total depth: 2 3/16 in.)

°STELPRO

STE241

ELECTRONIC THERMOSTAT LOW VOLTAGE / 24 V – SINGLE PROGRAMMING

24 V



EFFICIENT RELAY CONTROL

The STE241 series low voltage (24 V) electronic thermostat is designed to control electric furnaces and Stelpro "RE" series heating relays. It is compatible with either convection-mode or forced-air heating units as the cycles of this thermostat can be modified accordingly.

- **SIMPLE TO USE AND INSTALL**
- **INCREASED SAVINGS AND COMFORT**
INCOMPARABLE ACCURACY
- **BACKLIT SCREEN**
CAN BE USED AS A NIGHTLIGHT
- **ELECTRICITY SAVINGS**
ENERGY SAVINGS OF 10-15% DEPENDING ON USE*

COLOR

- white

FINISH

- molded plastic

VOLTAGE

- 0.5 A @ 24 Vac

CONTROL

- three-wire connection
- compatible with electric furnaces (R, C, W connections) and Stelpro "RE" series heating relays
- adjustable cycles to accommodate both convection and forced-air heating modes. Attention: not compatible with solely inductive loads.
- acts like a programmable thermostat by automatically lowering the temperature once per 24-hour period (Single programming mode)
- frost-free warning
- lock option at a maximum temperature setpoint (Security mode)
- display in Celsius or Fahrenheit

ACCURACY

- accurate ambient temperature control $\pm 1^\circ\text{F}$
- temperature sensing with thermistor

TEMPERATURE RANGE

- 37 to 86 °F

WARRANTY

- three years

*independent study

DESIGNED FOR:



RE



SFE

TECHNICAL SPECIFICATIONS

PRODUCT	VOLTAGE	FREQUENCY
CODE	VOLTS	HZ
STE241WB+	24 VAC	50/60

Dimensions : 3 1/4 in. wide, 4 3/4 in. high and surface 1 in. deep (total depth: 1 3/8 in.)

STELPRO

Stelpro reserves the right to modify descriptions, manufacturing specifications or prices without prior notice. No returns accepted on optional-color products. For all the latest models and prices, please refer to our website at www.stelpro.com.

TH140-28-01-B

ELECTRONIC THERMOSTAT – LINE AND LOW VOLTAGE – 7-DAY PROGRAMMABLE



This versatile thermostat can control very low voltage systems up to 240 V.

- **TWO-WIRE THERMOSTAT (R, W)**
- **COMPATIBLE WITH ALL RE, RM AND R841 RELAYS**
- **TEMPERATURE IN DEGREES CELSIUS AND FAHRENHEIT**
- **7-DAYS PROGRAMMABLE**

COLOR

- white

FINISH

- molded plastic

VOLTAGE

- Max: 5 A @ 24 V – 240 V resistive
- Max: 2 A @ 24 V – 240 V inductive

CONTROL

- versatile thermostat that controls systems from millivolts to 240 V and is also well-suited for hot water heating
- battery powered (2 AA alkaline batteries)
- terminals R, W (X, C optional remote input)
- temperature sensing with thermistor

TEMPERATURE RANGE

- 40 to 85°F

WARRANTY

- one year

TECHNICAL SPECIFICATIONS

PRODUCT	DESCRIPTION
TH140-28-01-B	electronic prog. thermostat, millivolt to 240V, 5A RES. 2A IND.

DIMENSIONS: 3 13/16 in. (97 mm) wide, 5 in. (127 mm) high and 1 in. (26 mm) deep



SWT

LINE VOLTAGE MECHANICAL THERMOSTAT



With its rectangular housing, this wall thermostat blends well with any decor. Its great versatility makes it suitable for most heating products, including electric baseboards, fan heaters or commercial unit heaters. This easy-to-use thermostat is available in one- and two-pole versions.

- **EASY TEMPERATURE SETTING ADJUSTMENT**
- **EASY TO INSTALL AND USE**
- **SLEEK LOOK**
- **AVAILABLE IN 120 V TO 277 V**

COLOURS

- white, soft white

FINISH

- molded plastic

VOLTAGE

- 22 A @ 120-277 Vac
- 1/2 hp

CONTROL

- two-wire connection (single pole model) or four-wire connection (double pole model)
- temperature in degrees Celsius
- off position (double pole model)

TEMPERATURE RANGE

- 10 to 30 °C (50 to 90 °F)

WARRANTY

- one year

TECHNICAL SPECIFICATIONS

PRODUCT	DESCRIPTION
SWT1C*	single pole thermostat (Celsius)
SWT2C	double pole thermostat (Celsius)

*Add SW for soft white.
Dimensions: 2 29/32 in. (74 mm) wide, 4 37/64 in. (116 mm) high and 1 9/64 in. (29 mm) deep

T822K1018/U

THERMOSTAT – LOW VOLTAGE / 24 V



This model can be installed in homes as well as in commercial premises. Its settings make it possible to control up to five relays without transformers or one relay with a transformer.

■ **COMPATIBLE WITH ALL RE, RM AND R841 RELAYS**

■ **CAN CONTROL UP TO 5 RELAYS**

■ **TEMPERATURE IN DEGREES FAHRENHEIT**

COLOR

- white

VOLTAGE

- 1.2 A @ 24 Vac

CONTROL

- two-wire connection
- all or nothing (on/off) @ 24 Vac
- compatible with all RE, RM and R841 model relays
- Can control up to 5 relays
- temperature in degrees Fahrenheit

TEMPERATURE RANGE

- 50 to 86 °F

WARRANTY

- one year

TECHNICAL SPECIFICATIONS

PRODUCT	DESCRIPTION
T822K1018/U	low voltage thermostat (24 V)

DIMENSIONS: 2.83 in. x 4.75 in. x 1.46 in.

°STELPRO

T87K1007/U

THERMOSTAT – LOW VOLTAGE / 24 V



This model can be installed in any room of the house. Its round design houses a dimmer switch and sports a charming retro look.

■ **TWO-WIRE THERMOSTAT (R, W)**

■ **COMPATIBLE WITH ALL RE, RM AND R841 RELAYS**

■ **TEMPERATURE IN DEGREES FAHRENHEIT**

■ **SUITABLE FOR 24 V HEATING UNITS**

COLOR

- white

VOLTAGE

- 1 A @ 24 Vac

CONTROL

- two-wire connection
- all or nothing (on/off) @ 24 Vac
- compatible with all RE, RM and R841 model relays
- temperature in degrees Fahrenheit

TEMPERATURE RANGE

- 50 to 86 °F

WARRANTY

- one year

TECHNICAL SPECIFICATIONS

PRODUCT	DESCRIPTION
T87K1007/U	low voltage thermostat (24 V)

DIMENSIONS: 3 11/16 in. diameter x 1 3/4 in.

°STELPRO

Stelpro reserves the right to modify descriptions, manufacturing specifications or prices without prior notice. Returns are not accepted for orders of products with optional colors. For all the latest models and prices, please refer to our website at www.stelpro.com.

RE25, RE30

ELECTRONIC RELAY – LOW VOLTAGE



RE253C



RE253T



RE306C



These larger models must be installed in an external junction box. A variety of models are available depending on your needs.

- **WITH TRANSFORMER (RE253T)**
- **COMPATIBLE WITH STE241, T822K1018U AND T87K1007U THERMOSTATS**
- **3 TO 32 VDC PULSE OR ALL OR NOTHING (ON/OFF) SIGNAL**
- **EASY TO INSTALL IN A 4" X 4" ELECTRICAL JUNCTION BOX**
- **FROM 120 V TO 600 V**

CONTROL

- pulsed signal (PWM) or all or nothing (on/off) at 24 Vac, 3-32 Vdc signal
- with a transformer (RE253T)
- compatible with the STE241, T822K1018U and T87K1007U thermostats
- two additional relays without transformers can be added to the same control circuit as a relay with a transformer
- installing more than four relays without transformers to the same thermostat is not recommended

INSTALLATION

- the relay must be installed in an external junction box

WARRANTY

- three years

TECHNICAL SPECIFICATIONS

PRODUCT	DESCRIPTION
RE253C	electronic low voltage relay [25 A @ 120 V, 208 V, 240 V, 277 V or 347 V]
RE253T	electronic low voltage relay [25 A @ 208 V, 240 V, 277 V or 347 V] (w/transformer)
RE306C	electronic low voltage relay [30 A @ 120 V-600 V]

DIMENSIONS: RE253: 4.10 in. x 4.10 in. x 2.10 in. (104.1 mm x 104.1 mm x 53.3 mm)
RE306C: 4.76 in. x 4.70 in. x 3 in. (120.9 mm x 119.4 mm x 76.2 mm)

RE15

ELECTRONIC RELAY – LOW VOLTAGE – SMALLER-SIZED



RE153T



RE156



RE153



Due to their small size, they can be fitted in a heating unit's junction box. A variety of models are available to meet your needs.

- **WITH TRANSFORMER (RE153T)**
- **COMPATIBLE WITH STE241, T822K1018U AND T87K1007U THERMOSTATS**
- **COMPACT SIZE**
- **3 TO 32 VDC PULSE OR ALL OR NOTHING (ON/OFF) SIGNAL**
- **DELIVERS MORE PRECISE TEMPERATURE CONTROL WHEN PAIRED WITH THE RIGHT THERMOSTAT**

CONTROL

- pulsed signal (PWM) or all or nothing (on/off) at 24 Vac, 3-32 Vdc signal
- with a transformer (RE153T)
- compatible with the STE241, T822K1018U and T87K1007U thermostats
- two additional relays without transformers can be added to the same control circuit as a relay with a transformer
- installing more than four relays without transformers to the same thermostat is not recommended

INSTALLATION

- the relays must be installed inside the junction box of the heating unit

WARRANTY

- three years

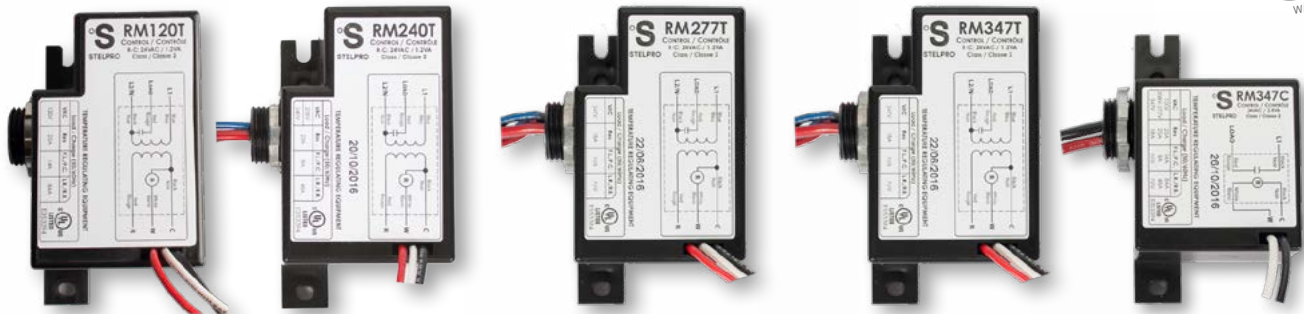
TECHNICAL SPECIFICATIONS

PRODUCT	DESCRIPTION
RE153	electronic low voltage relay [15 A @ 120 V-347 V]
RE156	electronic low voltage relay [6 A @ 120 V-600 V]
RE153T	electronic low voltage relay [15 A @ 208 V-347 V] (w/transformer)

DIMENSIONS: RE153 and RE156: 3.31 in. x 2.17 in. x 0.89 in. (84.1 mm x 55.1 mm x 22.6 mm)
RE153T: 3.31 in. x 2.17 in. x 1.5 in. (84.1 mm x 55.1 mm x 38.1 mm)

RM

ELECTROMECHANICAL RELAY – LOW VOLTAGE



RM120T

RM240T

RM277T

RM347T

RM347C

CONTROL

- all or nothing (on/off)
- with a 24 V transformer (with exception of the RM347C w/o transformer)
- compatible with the T822K1018U and T87K1007U thermostats (the RM347C w/o a transformer is also compatible with the STE241 thermostat)
- installing more than four relays without a transformer to the same thermostat is not recommended (two relays without a transformer if connected to a STE241 thermostat)
- no additional relay can be connected to the same control circuit as a relay with a transformer

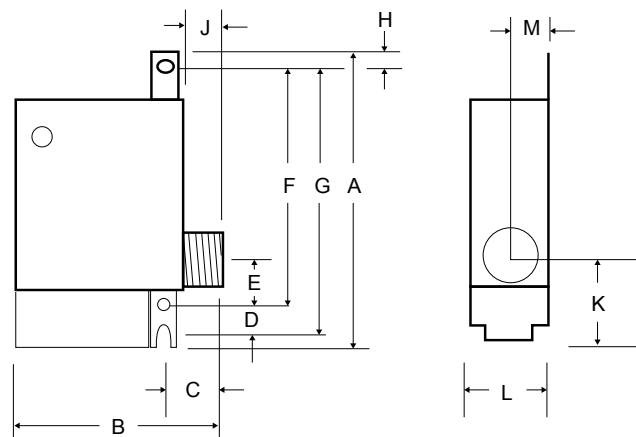
INSTALLATION

- these relays can be installed in an external junction box
- these relays may or may not be installed in the junction box of the heating unit (see the accessories table for the heating unit)

WARRANTY

- one year

TECHNICAL DRAWINGS



TECHNICAL SPECIFICATIONS

PRODUCT	DESCRIPTION
RM120T	electromechanical relay with transformer 24 V [3000 W @ 120 V]
RM240T	electromechanical relay c/w transformer 24 V [6000 W @ 240 V AND 5200 W @ 208 V]
RM277T	electromechanical relay with transformer 24V (6000W @ 277V)
RM347T	electromechanical relay c/w transformer 24 V [6000 W @ 347 V]
RM347C	electromechanical relay w/o transformer 24 V [6000 W @ 120 V-347 V]

DIMENSIONS

PRODUCT	KEY	A	B	C	D	E	F	G	H	J	K	L	M
RM...T	MM	100	67	18	11	19	74	84	10	10	35	41	16
	IN.	3 15/16	2 21/32	23/32	27/64	3/4	2 57/64	3 21/64	13/32	25/64	1 3/8	1 5/8	5/8
RM...C	MM	76	51	18	11	19	74	84	10	10	35	41	16
	IN.	3 3/4	2 1/2	23/32	27/64	3/4	2 57/64	3 21/64	13/32	25/64	1 3/8	1 5/8	5/8

R841

ELECTROMECHANICAL RELAY – LOW VOLTAGE



R841C1151



CONTROL

- all or nothing (on/off)
- with a 24 V transformer (except the R841D1036 w/o a transformer)
- compatible with the T822K1018U and T87K1007U thermostats (the R841D1036 w/o a transformer is also compatible with the STE241 thermostat)
- installing more than four relays without a transformer to the same thermostat is not recommended (two relays without a transformer if connected to a STE241 thermostat)
- no additional relay can be connected to the same control circuit as a relay with a transformer

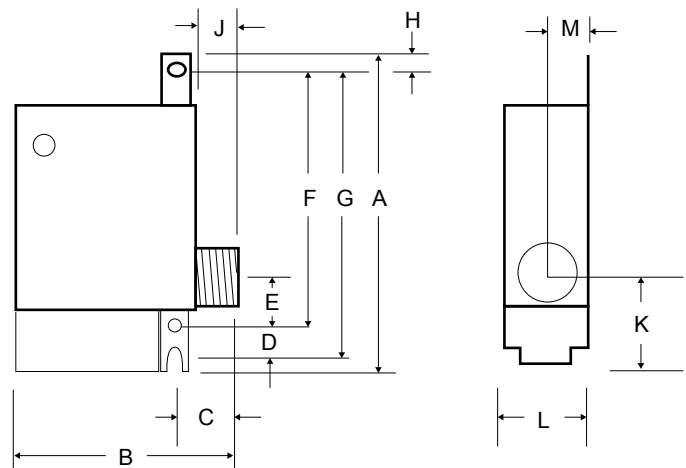
INSTALLATION

- these relays can be installed in an external junction box
- these relays may or may not be installed in the junction box of the heating unit (see the accessories table for the heating unit)

WARRANTY

- one year

TECHNICAL DRAWINGS



TECHNICAL SPECIFICATIONS

PRODUCT	DESCRIPTION
R841C1151	electromechanical relay c/w transformer 24 V [6000 W @ 600 V]
R841D1036	electromechanical relay w/o transformer 24 V [6000 W @ 600 V]

DIMENSIONS

KEY	A	B	C	D	E	F	G	H	J	K	L	M
IN.	3 1/4	2 3/8	3/4	15/32	3/4	2 29/32	3 3/8	1/4	7/16	1 15/32	1 1/2	5/8

TG511A1000

UNIVERSAL THERMOSTAT GUARD



KEYS (INCLUDED)

The ambient temperature can only be changed by the key owner.

Safeguard your comfort zone with this transparent thermostat guard designed to fit all types of thermostats. Ensure that the temperature setpoint is not changed without your knowledge and protect your unit from vandalism. Easy to install.

- **COMPATIBLE WITH ALL STELPRO THERMOSTATS**
- **PROTECTION AGAINST VANDALISM, DAMAGE AND UNAUTHORIZED TAMPERING OF SETTINGS**
- **EQUIPPED WITH A TUMBLER LOCK (KEYS INCLUDED)**

MANUFACTURING

- clear plastic

INSTALLATION

- can be installed without removing the thermostat from the wall

WARRANTY

- one year

TECHNICAL SPECIFICATIONS

PRODUCT	DESCRIPTION
TG511A1000	universal thermostat guard

INSIDE DIMENSIONS: 6 1/16 in. x 5 1/16 in. x 2 15/16 in.

F29

THERMOSTAT GUARD



F290143



F290193



KEYS (INCLUDED)

The ambient temperature can only be changed by the key owner.



Safeguard your comfort zone with this small thermostat guard. Its tumbler lock ensures that the temperature setpoint will not be changed without your knowledge while protecting your unit from vandalism. Easy to install.

- **COMPATIBLE WITH THE STCNP, STCP, STE302R2+, STE241, T822K1034, T87K1015, D010 AND ET180 THERMOSTATS**
- **EQUIPPED WITH A TUMBLER LOCK (KEYS INCLUDED)**
- **PROTECTS THERMOSTATS AGAINST VANDALISM AND UNAUTHORISED SETTING CHANGES**
- **AVAILABLE IN CLEAR PLASTIC OR METAL**

MANUFACTURING

- clear plastic (F290143) or metal (F290193)

WARRANTY

- one year

TECHNICAL SPECIFICATIONS

PRODUCT	DESCRIPTION
F290143	clear plastic thermostat guard
F290193	metal thermostat guard

INSIDE DIMENSIONS: F290143: ring base of 3 1/2 in. x 6 3/8 in. x 3 1/4 in., solid base of 3 1/2 in. x 6 3/8 in. x 3 in.
F290193: 3 13/16 in. x 6 in. x 3 1/8 in.

FD60M

MECHANICAL TIMER



This timer features a 60-minute dimmer dial that can be used to control forced air units. It also prevents overheating and offers better energy control.

- **HEAT FOR A SET TIME WITHOUT HASSLE**
- **60-MINUTE TIMER**
- **CONTROLS FORCED AIR UNITS THAT DON'T HAVE BUILT-IN TIMERS AND CONTROLS**

COLOR

- white

VOLTAGE

- 20 A @ 120 Vac / 10 A @ 240 and 277 Vac

INSTALLATION

- wall mounted with wall plate (not provided)

CONTROL

- 60-minute timer
- used to control forced-air units such as: SK, RWF, SKS

WARRANTY

- one year

TECHNICAL SPECIFICATIONS

PRODUCT	DESCRIPTION
FD60MCW70	60-minute timer

DIMENSIONS: 1.6 in. x 2.79 in. x 1.19 in. (40.6 mm x 70.9 mm x 30.2 mm)

HVAC

Explore our wide range of central heating products. Stelpro HVAC products are perfect for dispersing warmth throughout a building and work in tandem to create your comfort ecosystem.

SFEX, SFECM – THE FURNACE

MODULATING ELECTRIC FURNACES WITH ELECTRONIC CONTROLS



THE FURNACE

THE ALL-INCLUSIVE FURNACE

At last, Stelpro has designed an electric furnace that meets all your expectations. Our The furnace products are the only ones on the market that come equipped with a built-in temperature sensor, making installation much easier. You can say goodbye to undesirable variances in temperature thanks to their state-of-the-art electronic controls! Moreover, a new model, the SFEX, has been added to our product line. Powered by an ECM motor, it meets all performance requirements and provides additional energy savings. Simply choose the model that best suits your needs!

■ NEW ELECTRONIC BOARD PROGRAMMING

COMPATIBLE WITH HEAT PUMP INSTALLATIONS

■ BUILT-IN TEMPERATURE SENSOR MAINTAINS MINIMUM HEATED AIR AT ALL TIMES

■ STATE-OF-THE-ART ELECTRONIC CONTROLS ECO MODE FOR INCREASED SAVINGS

■ ECM MOTOR GUARANTEES SAVINGS, CONSTANT AIRFLOW AND GREATER EFFICIENCY (SFECM MODEL)

■ 1 HP MOTOR AVAILABLE STARTING FROM 20 KW

■ PRE-DRILLED PANELS SIMPLIFY INSTALLATION AND CONNECTION

FINISH

- powder coat (charcoal)

MANUFACTURING

- robust galvanized steel cabinet
- easy access to electronic board to adjust the various potentiometers
- 20 in. x 20 in. x 1 in. air filter opening (filter not included)
- circuits composed exclusively of reliable relays
- two thermal protections with manual reset

ELEMENTS

- modulating elements for increased comfort and separately framed allowing for quick and easy replacement

MOTOR

- totally enclosed, permanently lubricated motor
- ECM – preset motor speed (SFEX model)
- ECM – variable motor speed (SFECM model)

CONTROL

- electronic board that compensates when heat pump is in defrost mode
- easy-to-use modes
- continuous ventilation button (low or high speed)
- continuous heating button (min or max)
- simplified connection system
- mechanical relays allowing for easy and low-cost maintenance

INSTALLATION

- three possible installation positions: upflow, downflow or horizontal
- installation directly against a wall ("zero inch" clearance)
- three conductor installation possible

WARRANTY

- five years

TECHNICAL SPECIFICATIONS

PRODUCT	POWER AND VOLTAGE			AMPERAGE	MOTOR POWER	WEIGHT
	CODE	KILOWATTS	BTU/H	VOLTS	AMPERES	HP
SFEX SERIES						
SFEX1021	10/7.5	34 127/25 595	240/208	44/38	1/3	100
SFEX1521	15/11.2	51 191/38 222	240/208	65/56	1/3	100
SFEX1821	17.5/13.2	59 722/45 047	240/208	75/66	1/3	100
SFEX2021	20/15	68 254/51 191	240/208	85/74	1/3	100
SFEX2321	22.5/16.9	76 786/57 675	240/208	96/84	1/3	100
SFEX2721	27.5/20.7	93 849/70 643	240/208	119/104	1	115
SFEX3021	30/22.5	102 381/76 786	240/208	130/113	1	115
SFEX2021HP	20/15	68 254/51 191	240/208	88/77	1	115
SFEX2321HP	22.5/16.9	76 786/57 675	240/208	99/87	1	115
SFECM SERIES						
SFECM1021	10/7.5	34 127/25 595	240/208	44/38	1/2	100
SFECM1521	15/11.2	51 191/38 222	240/208	65/56	1/2	100
SFECM1821	17.5/13.2	59 722/45 047	240/208	75/66	1/2	100
SFECM2021	20/15	68 254/51 191	240/208	85/74	1/2	100
SFECM2321	22.5/16.9	76 786/57 675	240/208	96/84	1/2	100
SFECM2721	27.5/20.7	93 849/70 643	240/208	119/104	1	105
SFECM3021	30/22.5	102 381/76 786	240/208	130/113	1	105
SFECM20211HP	20/15	68 254/51 191	240/208	88/77	1	105
SFECM23211HP	22.5/16.9	76 786/57 675	240/208	99/87	1	105

See user guide for all technical specifications.

ACCESSORIES

PRODUCT	DESCRIPTION
FSB2	SFE furnace downflow adaptor
SCOND	neutral terminal for third conductor

SFECM SERIES

ECM MOTOR – ELECTRONICALLY COMMUTATED MOTOR

COMFORT, EFFICIENCY, RELIABILITY AND SECURITY ARE AT THE HEART OF THE ECM

COMFORT

Comfort level can be increased if a variable speed motor is installed. This level cannot be reached with any other method. It also allows the user to select the low speed with the desired airflow in recirculation.

EFFICIENCY

Since it combines electronic circuits and a BLDC motor, it is the most efficient motor on the HVAC market. It can reach up to twice the capacity of a PSC motor.

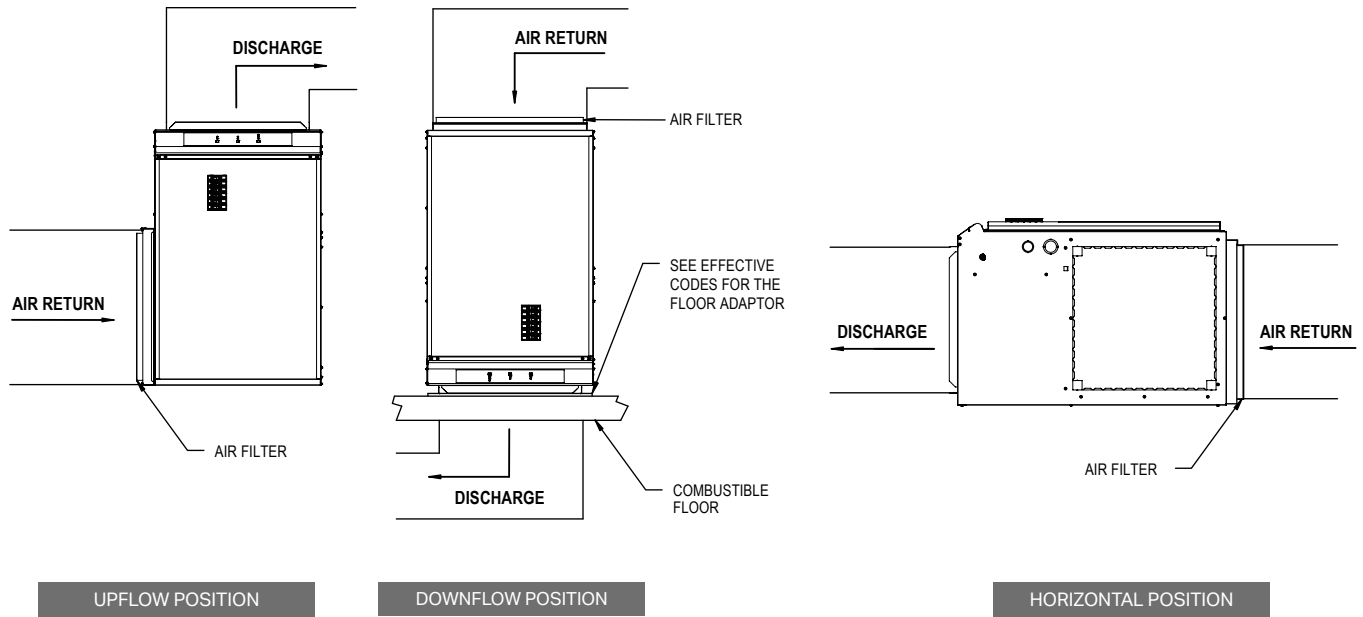
RELIABILITY

All its electronic circuits are protected against condensation. Thanks to its design and materials, such as silicone elastomer, it is one of the most reliable motors on the market.

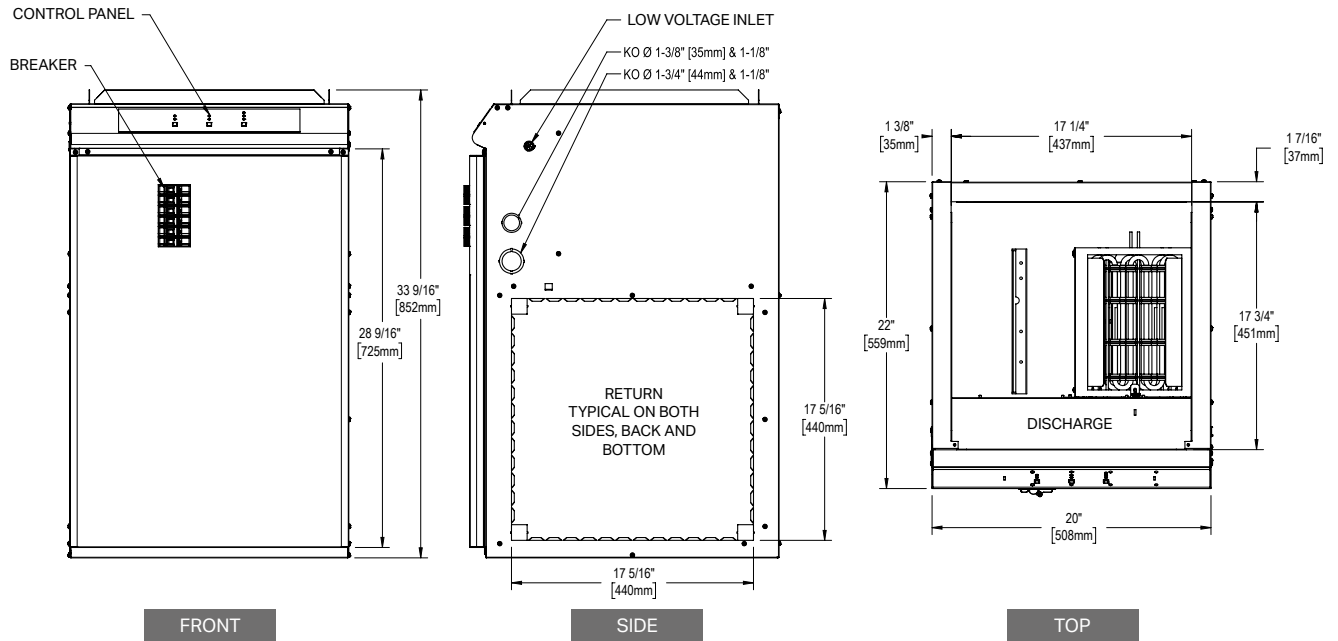
SECURITY

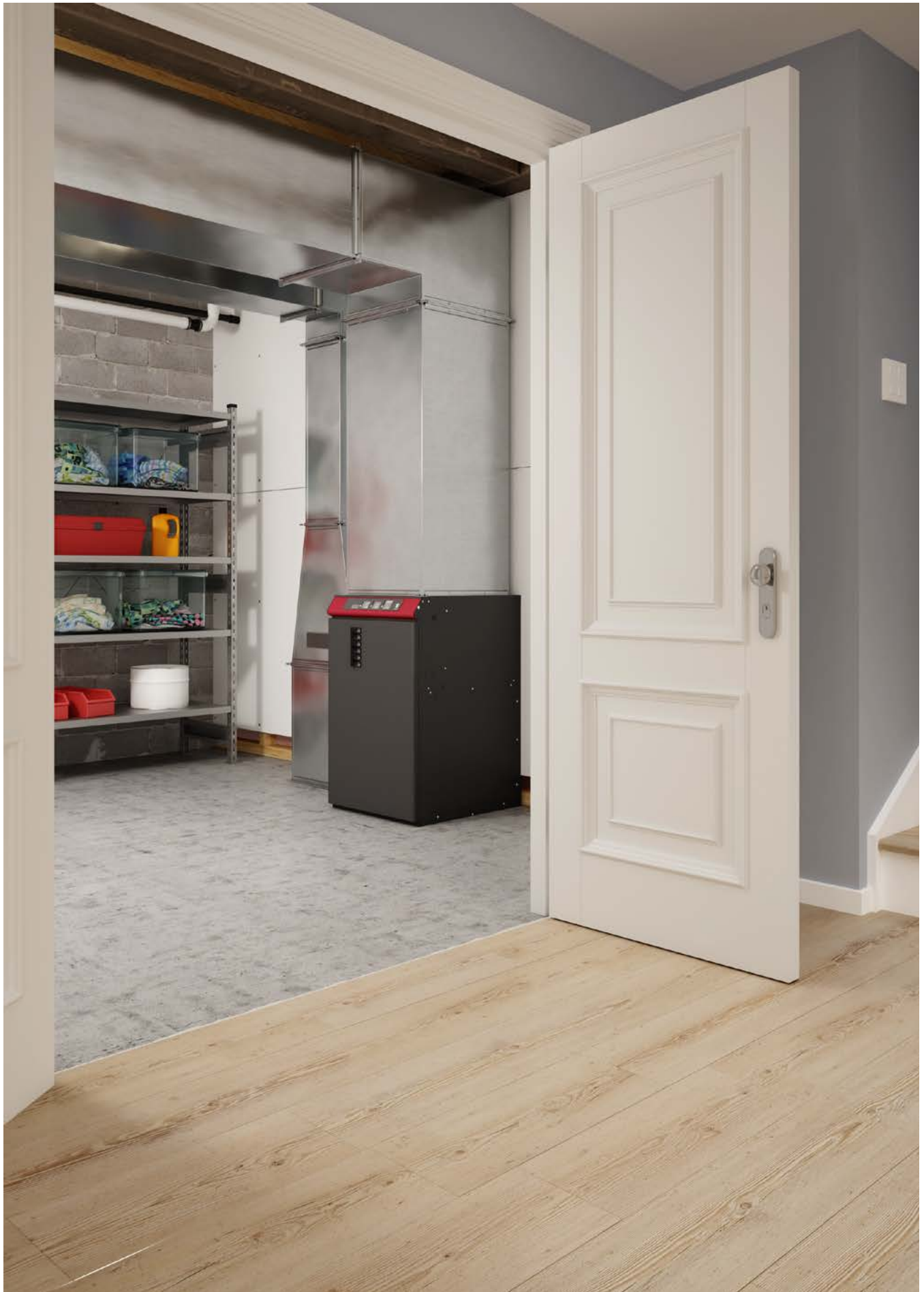
Its electronic system is protected by MOVs (metal oxide varistors) against lightning overvoltages.

INSTALLATION



TECHNICAL DRAWINGS





SDHx, SDHxT

CUSTOM DUCT HEATERS



SDHR



SDHF



SDHI



CUSTOMIZED COMFORT!

Stelpro's series of custom duct heaters, designed for comfort heating, include three models: SDHI (insertion), SDHF (flange) and SDHR (round), all available customized. Each model in the series is available in different formats, allowing you great flexibility. These electric duct heaters are manufactured for all types of installations. Whether it is for an installation at the outlet of a VAV box, an air handler or fan coil unit, inside a commercial make-up air unit or an OEM application with a central air heater, the high manufacturing standards at Stelpro ensures a duct heater of unprecedented quality.

- **ELECTRONIC CONTROLS IMPROVED (OPTIONAL)**
- **ULTRA-PRECISE ELECTRONIC AIR VELOCITY SENSOR (OPTIONAL - P OPTION)**

FINISH

- 20 to 16 gauge galvanized steel cabinet resistant to corrosion

MANUFACTURING

- junction box door
- double thermal protections (manual and automatic)
- neoprene gasket (optional)
- Nema 4, Nema 4x and Nema 12 control box (optional)
- stainless steel element housing (optional)

ELEMENTS

- open, nichrome elements
- tubular in Incoloy 800
- modulation of the elements by SCR technology to maintain a constant temperature using only the required energy

CONTROL

- built-in temperature limit sensor (TT option)
- electronic air velocity sensor (P option)
- for more electronic control and card options, see the options and controls table
- control voltage: 0-10 V, 2-10 V (4-20mA), 24Vac (PWM), 24Vdc
- heater interlock included

INSTALLATION

- round duct starting at 4 in. (SDHR model)
- rectangular duct starting at 6 in. x 6 in. (SDHI and SDHF models)
- vertical, horizontal, upflow or downflow position
- "zero inch" clearance from flammable materials

WARRANTY

- three years

ELEMENTS



OPEN COIL

TUBULAR



TECHNICAL SPECIFICATIONS

PRODUCT	TYPE OF MODEL	POWER	VOLTAGE	PHASE	DUCT DIMENSIONS
CODE		KILOWATTS	VOLTS	NO.	STARTING FROM (IN.)
SDHI/SDHIT	INSERTION	up to 1000	120 to 600	1 or 3	6 x 6
SDHF/SDHFT	FLANGE	up to 1000	120 to 600	1 or 3	6 x 6
SDHR/SDHRT	ROUND	up to 1000	120 to 600	1 or 3	4

UL certification: 25.5 kW/sq.ft for SDHx and 13 kW/sq.ft for SDHxT

ELECTRONIC CONTROLS

FEATURE	DESCRIPTION	CONTROL CODE					
		TN	1ST	2ST	CIR-047	CIR-048	CIR-017/ CIR-011
		PRODUCT NUMBER CODE					
		E	1	2	B	A	C/D
CONTROL INPUT	BARE UNIT	•					
	24 V - 1 STAGE NON-MODULATING		•		•		
	24 V - 2 STAGE NON-MODULATING			•			
	24 V - PWM				•	•	
	0-10 V				•	•	•
	2-10V (4-20MA)					•	
	24 V - 1 STAGE MODULATING (0-100% MODULATION WHEN USED WITH OPTIONAL TEMPERATURE SENSOR)					•	•
	24 V - 2 STAGE MODULATING (0-60-100%)						•
	24 V - 3 STAGE MODULATING (0-40-70-100%)						•
	SELF MODE					•	•
HEATING OUTPUT	SCR				•	•	•
	RELAY AND/OR CONTACTOR		•	•	•	2	4/8
CONTROL TRANSFORMER	CONTROL TRANSFORMER		•	•	•	•	•
FAN OUTPUT	FAN RELAY (OPTIONAL - OPTION R)		•	•			•
SUPPLY DUCT TEMPERATURE SENSOR	MEASURE THE AIR TEMPERATURE AT THE EXIT OF THE COIL (OPTIONAL - OPTION T)					•	•
ELECTRONIC AIR VELOCITY SENSOR	MEASURE THE AIR VELOCITY IN THE DUCT (OPTIONAL - OPTION P)				•	•	•
BUILT-IN TEMPERATURE LIMIT SENSOR	MEASURE THE AMBIENT AIR TEMPERATURE NEAR THE ELECTRIC COIL ELEMENTS (OPTIONAL - OPTION TT)				•	•	
AUTO DIAGNOSTIC	FAULT DISPLAY						•
USER INTERFACE	LEDS AND POTENTIOMETER					•	
	NUMERICAL DISPLAY AND BUTTONS						•
REMOTE CONTROL	DEPORTED PLENUM THERMOSTAT (OPTIONAL ACCESSORY)					•	

OPTIONS

OPTION	DESCRIPTION
D	TRANSFORMER NOT INCLUDED
E	REMOTE CONTROL BOX
F	VERTICAL INSTALLATION IN HORIZONTAL AIRFLOW
G	SAFETY MESH ON LEFT SIDE
H	SAFETY MESH ON RIGHT SIDE
I	MAIN BREAKERS
J	MAIN DISCONNECT SWITCH
K	MAIN LINE FUSES
L	LOAD FUSES
N	DIFFERENTIAL PRESSURE SWITCH
O	OEM
P	ELECTRONIC AIR VELOCITY SENSOR
R	FAN RELAY
S	HORIZONTAL INSTALLATION IN VERTICAL AIRFLOW
T	SUPPLY DUCT TEMPERATURE SENSOR
V	SCR RATED FOR DOUBLE REQUIRED AMPERAGE
W	PILOT LIGHT
X	80/20 NICR GRADE A ELEMENT
Y	UNBALANCED THREE STAGE SYSTEM
CC	CONTROL BOX WITH RIGHT EXTENSION
GG	PERFORATED 1/2" DIFFUSER GRILL
HH	NEMA 4 OR NEMA 4X CONTROL BOX (NEMA 12 INCLUDED)
II	CONTROL BOX EQUAL TO THE DUCT HEIGHT
JJ	DISCONNECT SWITCH WITH DOOR INTERLOCK
KK	CONTROL FUSE
LL	SCR RELAY ON EACH CIRCUIT
PP	HINGED DOOR
SS	STAINLESS STEEL ELEMENT HOUSING
TT	BUILT-IN TEMPERATURE LIMIT SENSOR
-#	UNIQUE IDENTIFICATION MODEL

PRODUCT NUMBER LEGEND

SDH X (X) (X) (X) (X) (X) (X) (X)

PRODUCT SERIES: Stelpro Duct Heater

MODEL: FLANGE = F / INSERTION = I / ROUND = R

ELEMENTS: OPEN COIL (standard) = Leave empty / TUBULAR (optional) = T

DUCT DIMENSION: 2 to 14 alphanumeric digits; Ex. #1: 16.5 x 19.25 (for a rectangular duct) –
Ex. #2: 16.5 (for a round duct)

KILOWATTS: 2 to 8 alphanumeric digits; Ex.: 12K (for 12 kW)

VOLTS: 4 alphanumeric digits; Ex.: 240V

PHASE: 2 alphanumeric digits; Ex.: 1P or 3P

AVAILABLE CONTROLS

AVAILABLE OPTIONS

* A = CIR-048
B = CIR-047
C = CIR-017
D = CIR-011
E = TN
1 = 1ST
2 = 2ST

POWER CAPACITY TABLE

CAPACITY REQUIRED IN WATTS IN RELATION TO AIRFLOW AND TEMPERATURE RISE															
AIRFLOW (CFM)	TEMPERATURE RISE (DELTA) IN °F*														
	5	10	15	20	25	30	35	40	45	50	55	60	65	70	75
100	161	323	484	645	806	968	1129	1290	1452	1613	1774	1935	2097	2258	2419
150	242	484	726	968	1210	1452	1694	1935	2177	2419	2661	2903	3145	3387	3629
200	323	645	968	1290	1613	1935	2258	2581	2903	3226	3548	3871	4194	4516	4839
250	403	806	1210	1613	2016	2419	2823	3226	3629	4032	4435	4839	5242	5645	6048
300	484	968	1452	1935	2419	2903	3387	3871	4355	4839	5323	5806	6290	6774	7258
350	565	1129	1694	2258	2823	3387	3952	4516	5081	5645	6210	6774	7339	7903	8468
400	645	1290	1935	2581	3226	3871	4516	5161	5806	6452	7097	7742	8387	9032	9677
450	726	1452	2177	2903	3629	4355	5081	5806	6532	7258	7984	8710	9435	10161	10887
500	806	1613	2419	3226	4032	4839	5645	6452	7258	8065	8871	9677	10484	11290	12097
550	887	1774	2661	3548	4435	5323	6210	7097	7984	8871	9758	10645	11532	12419	13306
600	968	1935	2903	3871	4839	5806	6774	7742	8710	9677	10645	11613	12581	13548	14516
650	1048	2097	3145	4194	5242	6290	7339	8387	9435	10484	11532	12581	13629	14677	15726
700	1129	2258	3387	4516	5645	6774	7903	9032	10161	11290	12419	13548	14677	15806	16935
750	1210	2419	3629	4839	6048	7258	8468	9677	10887	12097	13306	14516	15726	16935	18145
800	1290	2581	3871	5161	6452	7742	9032	10323	11613	12903	14194	15484	16774	18065	19355
850	1371	2742	4113	5484	6855	8226	9597	10968	12339	13710	15081	16452	17823	19194	20565
900	1452	2903	4355	5806	7258	8710	10161	11613	13065	14516	15968	17419	18871	20323	21774
950	1532	3065	4597	6129	7661	9194	10726	12258	13790	15323	16855	18387	19919	21452	22984
1000	1613	3226	4839	6452	8065	9677	11290	12903	14516	16129	17742	19355	20968	22581	24194
1050	1694	3387	5081	6774	8468	10161	11855	13548	15242	16935	18629	20323	22016	23710	25403
1100	1774	3548	5323	7097	8871	10645	12419	14194	15968	17742	19516	21290	23065	24839	26613
1150	1855	3710	5565	7419	9274	11129	12984	14839	16694	18548	20403	22258	24113	25968	27823
1200	1935	3871	5806	7742	9677	11613	13548	15484	17419	19355	21290	23226	25161	27097	29032
1250	2016	4032	6048	8065	10081	12097	14113	16129	18145	20161	22177	24194	26210	28226	30242
1300	2097	4194	6290	8387	10484	12581	14677	16774	18871	20968	23065	25161	27258	29355	31452
1350	2177	4355	6532	8710	10887	13065	15242	17419	19597	21774	23952	26129	28306	30484	32661
1400	2258	4516	6774	9032	11290	13548	15806	18065	20323	22581	24839	27097	29355	31613	33871
1450	2339	4677	7016	9355	11694	14032	16371	18710	21048	23387	25726	28065	30403	32742	35081
1500	2419	4839	7258	9677	12097	14516	16935	19355	21774	24194	26613	29032	31452	33871	36290
1550	2500	5000	7500	10000	12500	15000	17500	20000	22500	25000	27500	30000	32500	35000	37500
1600	2581	5161	7742	10323	12903	15484	18065	20645	23226	25806	28387	30968	33548	36129	38710

Note: For all values that do not appear in this table, you may calculate them using the following formula:
WATTS = (flow in CFM) X (TEMP. delta °F) / 3.1

*Air temperature at the entrance of the duct heater should not exceed 27 °C (80 °F).

MAXIMUM CAPACITY BY DIMENSION (IN KW)

		SDHx																													
		LENGTH (IN.)																													
		4	6	8	10	12	14	16	18	20	22	24	26	28	30	32	34	36	38	40	42	44	46	48	50	52	54	56	58	60	
HEIGHT (IN.)	4	2	4	5	7	8	9	11	12	14	15	17	18	19	21	22	24	25	26	28	29	31	32	34	35	36	38	39	41	42	
	6	4	6	8	10	12	14	17	19	21	23	25	27	29	31	34	36	38	40	42	44	46	48	51	53	55	57	59	61	63	
	8	5	8	11	14	17	19	22	25	28	31	34	36	39	42	45	48	51	53	56	59	62	65	68	70	73	76	79	82	85	
	10	7	10	14	17	21	24	28	31	35	38	42	46	49	53	56	60	63	67	70	74	77	81	85	88	92	95	99	102	106	
	12	8	12	17	21	25	29	34	38	42	46	51	55	59	63	68	72	76	80	85	89	93	97	102	106	110	114	119	123	127	
	14	9	14	19	24	29	34	39	44	49	54	59	64	69	74	79	84	89	94	99	104	109	114	119	123	128	133	138	143	148	
	16	11	17	22	28	34	39	45	51	56	62	68	73	79	85	90	96	102	107	113	119	124	130	136	141	147	153	158	164	170	
	18	12	19	25	31	38	44	51	57	63	70	76	82	89	95	102	108	114	121	127	133	140	146	153	159	165	172	178	184	191	
	20	14	21	28	35	42	49	56	63	70	77	85	92	99	106	113	120	127	134	141	148	155	162	170	177	184	191	198	205	212	
	22	15	23	31	38	46	54	62	70	77	85	93	101	109	116	124	132	140	148	155	163	171	179	187	194	202	210	218	225	233	
	24	17	25	34	42	51	59	68	76	85	93	102	110	119	127	136	144	153	161	170	178	187	195	204	212	221	229	238	246	255	
	26	18	27	36	46	55	64	73	82	92	101	110	119	128	138	147	156	165	174	184	193	202	211	221	230	239	248	257	267	276	
	28	19	29	39	49	59	69	79	89	99	109	119	128	138	148	158	168	178	188	198	208	218	228	238	247	257	267	277	287	297	
	30	21	31	42	53	63	74	85	95	106	116	127	138	148	159	170	180	191	201	212	223	233	244	255	265	276	286	297	308	318	
	32	22	34	45	56	68	79	90	102	113	124	136	147	158	170	181	192	204	215	226	238	249	260	272	283	294	306	317	328	340	
	34	24	36	48	60	72	84	96	108	120	132	144	156	168	180	192	204	216	228	240	252	264	276	289	301	313	325	337	349	361	
36	25	38	51	63	76	89	102	114	127	140	153	165	178	191	204	216	229	242	255	267	280	293	306	318	331	344	357	369	382		
38	26	40	53	67	80	94	107	121	134	148	161	174	188	201	215	228	242	255	269	282	296	309	323	336	349	363	376	390	403		
40	28	42	56	70	85	99	113	127	141	155	170	184	198	212	226	240	255	269	283	297	311	325	340	354	368	382	396	410	425		
42	29	44	59	74	89	104	119	133	148	163	178	193	208	223	238	252	267	282	297	312	327	342	357	371	386	401	416	431	446		
44	31	46	62	77	93	109	124	140	155	171	187	202	218	233	249	264	280	296	311	327	342	358	374	389	405	420	436	451	467		
46	32	48	65	81	97	114	130	146	162	179	195	211	228	244	260	276	293	309	325	342	358	374	391	407	423	439	456	472	488		
48	34	51	68	85	102	119	136	153	170	187	204	221	238	255	272	289	306	323	340	357	374	391	408	425	442	459	476	493	510		
50	35	53	70	88	106	123	141	159	177	194	212	230	247	265	283	301	318	336	354	371	389	407	425	442	460	478	495	513	531		
52	36	55	73	92	110	128	147	165	184	202	221	239	257	276	294	313	331	349	368	386	405	423	442	460	478	497	515	534	552		
54	38	57	76	95	114	133	153	172	191	210	229	248	267	286	306	325	344	363	382	401	420	439	459	478	497	516	535	554	573		
56	39	59	79	99	119	138	158	178	198	218	238	257	277	297	317	337	357	376	396	416	436	456	476	495	515	535	555	575	595		
58	41	61	82	102	123	143	164	184	205	225	246	267	287	308	328	349	369	390	410	431	451	472	493	513	534	554	575	595	616		
60	42	63	85	106	127	148	170	191	212	233	255	276	297	318	340	361	382	403	425	446	467	488	510	531	552	573	595	616	637		

Maximum density: 25.5 kW/sq.ft

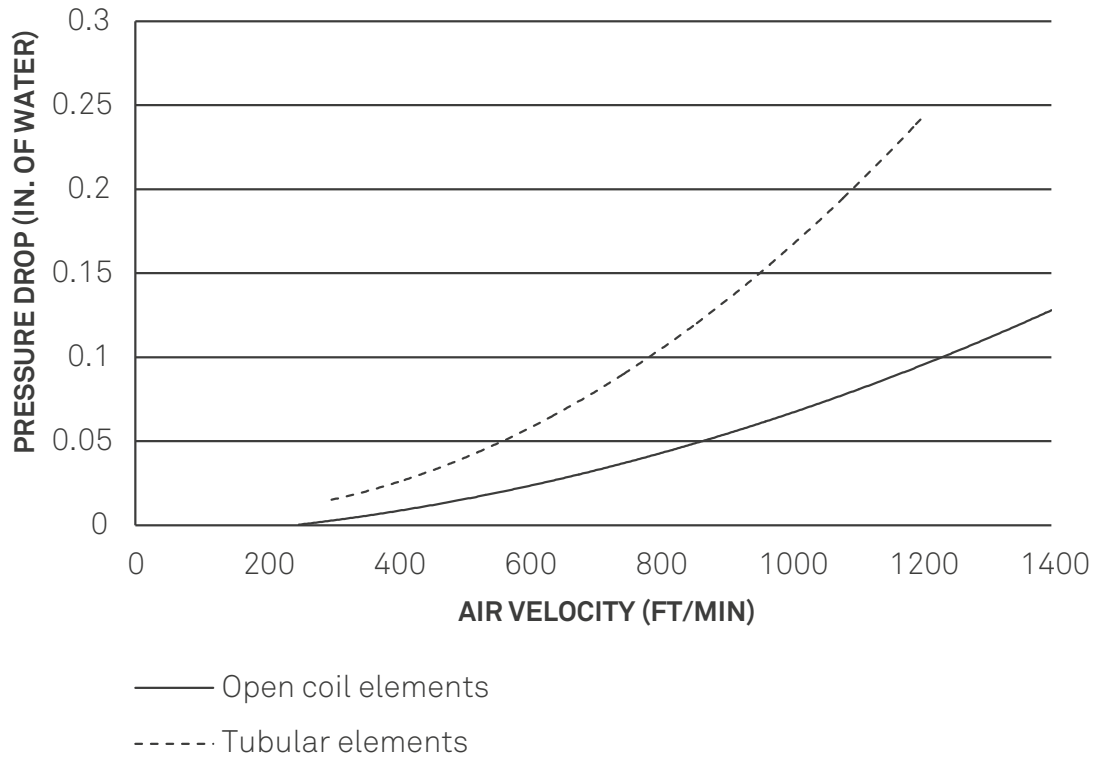
Note: The values indicated in the table above are not limited to dimensions of 60 in. x 60 in.

		SDHxT								
		LENGTH (IN.)								
		8	10	12	14	16	18	20	22	24
HEIGHT (IN.)	8	5.8	7.2	8.7	10.1	11.6	13.0	14.4	15.9	17.3
	10	7.2	9.0	10.8	12.6	14.4	16.3	18.1	19.9	21.7
	12	8.7	10.8	13.0	15.2	17.3	19.5	21.7	23.8	26.0
	14	10.1	12.6	15.2	17.7	20.2	22.8	25.3	27.8	30.3
	16	11.6	14.4	17.3	20.2	23.1	26.0	28.9	31.8	34.7
	18	13.0	16.3	19.5	22.8	26.0	29.3	32.5	35.8	39.0
	20	14.4	18.1	21.7	25.3	28.9	32.5	36.1	39.7	43.3
	22	15.9	19.9	23.8	27.8	31.8	35.8	39.7	43.7	47.7
24	17.3	21.7	26.0	30.3	34.7	39.0	43.3	47.7	52.0	

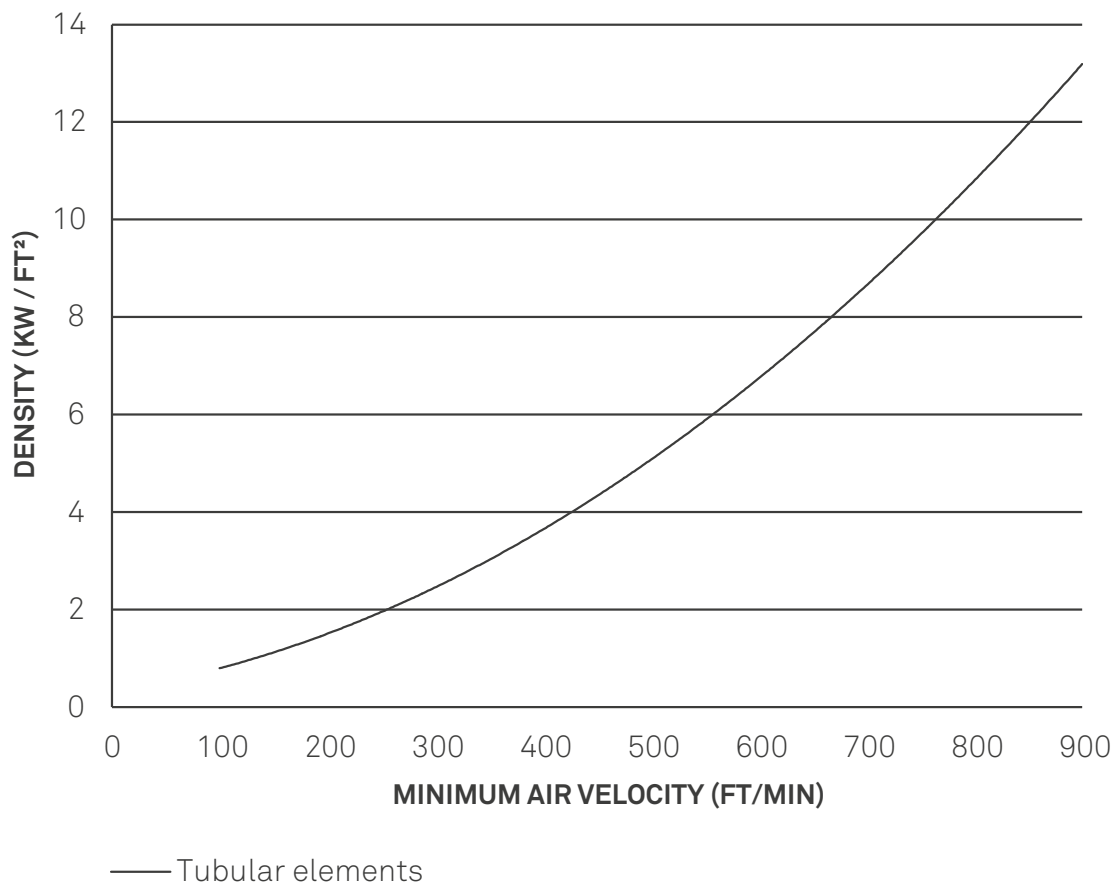
Maximum density: 13 kW/sq.ft

Note: The values indicated in the table above are not limited to dimensions of 24 in. x 24 in.

STATIC PRESSURE LOSS



MINIMUM AIR VELOCITY REQUIRED



SDHR

ROUND DUCT HEATER



TAKE CONTROL OF YOUR COMFORT

Whether it is for preheating ventilation air or for heating a room, the SDHR is powerful enough to raise the temperature to the desired level. Its modulation system and temperature sensor will give you accurate and efficient performance. Available in several sizes and capacities, there is certainly a model for you.

- **4 LEVELS OF SECURITY**
MANUAL PROTECTION, AUTOMATIC PROTECTION, TERMINAL BLOCK, BUILT-IN TEMPERATURE LIMIT SENSOR
- **5 TYPES OF CONTROL**
0-10 V, 2-10 V, PWM, 24 VDC OR 24 VAC CONTROL
- **TEMPERATURE CONTROL POTENTIOMETER**
- **MODULATION OF THE ELEMENTS**
SCR TECHNOLOGY

- FINISH**
 - 22 and 20 gauge galvanized steel cabinet resistant to corrosion
- MANUFACTURING**
 - junction box door
 - double thermal protections (manual and automatic) for each element
 - built-in temperature limit sensor (TT sensor)
 - supply duct temperature sensor (60 in. - 5 ft)
 - optional electronic air velocity sensor (P sensor) (KIT -SEN-005)

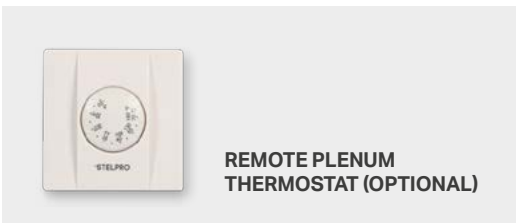
- ELEMENTS**
 - open, nichrome elements
 - modulation of the elements by the SCR technology to maintain a constant temperature using only the required energy

- CONTROL**
 - thermostat 24 Vac; thermostat or controller (0-10 Vdc); thermostat or controller (PWM); thermostat or controller (2-10 V); thermostat or controller (24 Vdc)

- WATTAGE & VOLTAGE**
 - see the technical specifications table (other models available upon request)

- INSTALLATION**
 - 5 in. to 12 in. round duct
 - vertical, horizontal, upflow or downflow position
 - "zero inch" clearance from flammable materials

- WARRANTY**
 - three years



REMOTE PLENUM THERMOSTAT (OPTIONAL)

ACCESSORY	
PRODUCT	DESCRIPTION
KIT-SEN-005	SDH electronic air velocity sensor
D070	remote plenum thermostat*

* Used with CIR-048 only

TECHNICAL SPECIFICATIONS

PRODUCT	POWER	VOLTAGE	SHIPPING WEIGHT		MINIMUM FLOW*
CODE	WATTS	VOLTS	KG	LB	CFM/KW
5 IN. DUCT (HEIGHT: 8 IN., DEPTH: 12 11/16 IN.)					
SDHR05005001	500	120	6.8	15	50
SDHR05005002	500/375	240/208	6.8	15	50
SDHR05005003	500	347	6.8	15	50
SDHR05010001	1000	120	6.8	15	50
SDHR05010002	1000/750	240/208	6.8	15	50
SDHR05010003	1000	347	6.8	15	50
SDHR05015001	1500	120	6.8	15	50
SDHR05015002	1500/1125	240/208	6.8	15	50
SDHR05015003	1500	347	6.8	15	50
SDHR05020001	2000	120	6.8	15	50
SDHR05020002	2000/1500	240/208	6.8	15	50
SDHR05020003	2000	347	6.8	15	50
SDHR05030002	3000/2250	240/208	6.8	15	50
SDHR05030003	3000	347	6.8	15	50
6 IN. DUCT (HEIGHT: 8 IN., DEPTH: 12 11/16 IN.)					
SDHR06005001	500	120	7.3	16	50
SDHR06005002	500/375	240/208	7.3	16	50
SDHR06005003	500	347	7.3	16	50
SDHR06010001	1000	120	7.3	16	50
SDHR06010002	1000/750	240/208	7.3	16	50
SDHR06010003	1000	347	7.3	16	50
SDHR06015001	1500	120	7.3	16	50
SDHR06015002	1500/1125	240/208	7.3	16	50
SDHR06015003	1500	347	7.3	16	50
SDHR06020001	2000	120	7.3	16	50
SDHR06020002	2000/1500	240/208	7.3	16	50
SDHR06020003	2000	347	7.3	16	50
SDHR06030002	3000/2250	240/208	7.3	16	50
SDHR06030003	3000	347	7.3	16	50
SDHR06040002	4000/3000	240/208	7.3	16	50
SDHR06040003	4000	347	7.3	16	50
SDHR06050002	5000/3750	240/208	7.3	16	50
SDHR06050003	5000	347	7.3	16	50
8 IN. DUCT (HEIGHT: 9 1/4 IN., DEPTH: 15 IN.)					
SDHR08005002	500/375	240/208	7.5	17	50
SDHR08005003	500	347	7.5	17	50
SDHR08010002	1000/750	240/208	7.5	17	50
SDHR08010003	1000	347	7.5	17	50
SDHR08015002	1500/1125	240/208	7.5	17	50
SDHR08015003	1500	347	7.5	17	50
SDHR08020002	2000/1500	240/208	7.5	17	50
SDHR08020003	2000	347	7.5	17	50
SDHR08030002	3000/2250	240/208	7.5	17	50
SDHR08030003	3000	347	7.5	17	50
SDHR08040002	4000/3000	240/208	7.5	17	50
SDHR08040003	4000	347	7.5	17	50
SDHR08050002	5000/3750	240/208	7.5	17	50
SDHR08050003	5000	347	7.5	17	50
SDHR08060002	6000/4500	240/208	7.5	17	50
SDHR08060003	6000	347	7.5	17	50

Add DS for disconnect switch models

TECHNICAL SPECIFICATIONS

PRODUCT	POWER	VOLTAGE	SHIPPING WEIGHT		MINIMUM FLOW*
CODE	WATTS	VOLTS	KG	LB	CFM/KW
10 IN. DUCT (HEIGHT: 11 1/4 IN., DEPTH: 17 1/4 IN.)					
SDHR10005002	500/375	240/208	9.1	20	50
SDHR10005003	500	347	9.1	20	50
SDHR10010002	1000/750	240/208	9.1	20	50
SDHR10010003	1000	347	9.1	20	50
SDHR10015002	1500/1125	240/208	9.1	20	50
SDHR10015003	1500	347	9.1	20	50
SDHR10020002	2000/1500	240/208	9.1	20	50
SDHR10020003	2000	347	9.1	20	50
SDHR10030002	3000/2250	240/208	9.1	20	50
SDHR10030003	3000	347	9.1	20	50
SDHR10040002	4000/3000	240/208	9.1	20	50
SDHR10040003	4000	347	9.1	20	50
SDHR10050002	5000/3750	240/208	9.1	20	50
SDHR10050003	5000	347	9.1	20	50
SDHR10060002	6000/4500	240/208	9.1	20	50
SDHR10060003	6000	347	9.1	20	50
SDHR10080002	8000/6000	240/208	9.1	20	50
SDHR10080003	8000	347	9.1	20	50
SDHR10100002	10 000/7500	240/208	9.1	20	50
SDHR10100003	10 000	347	9.1	20	50
12 IN. DUCT (HEIGHT: 13 1/4 IN., DEPTH: 19 1/4 IN.)					
SDHR12005002	500/375	240/208	10.4	23	50
SDHR12005003	500	347	10.4	23	50
SDHR12010002	1000/750	240/208	10.4	23	50
SDHR12010003	1000	347	10.4	23	50
SDHR12015002	1500/1125	240/208	10.4	23	50
SDHR12015003	1500	347	10.4	23	50
SDHR12020002	2000/1500	240/208	10.4	23	50
SDHR12020003	2000	347	10.4	23	50
SDHR12030002	3000/2250	240/208	10.4	23	50
SDHR12030003	3000	347	10.4	23	50
SDHR12040002	4000/3000	240/208	10.4	23	50
SDHR12040003	4000	347	10.4	23	50
SDHR12050002	5000/3750	240/208	10.4	23	50
SDHR12050003	5000	347	10.4	23	50
SDHR12060002	6000/4500	240/208	10.4	23	50
SDHR12060003	6000	347	10.4	23	50
SDHR12080002	8000/6000	240/208	10.4	23	50
SDHR12080003	8000	347	10.4	23	50
SDHR12100002	10 000/7500	240/208	10.4	23	50
SDHR12100003	10 000	347	10.4	23	50

Add DS for disconnect switch models

ASB

DUAL ENERGY DUCT HEATER



AUTONOMY + SAVINGS = DUAL ENERGY DUCT HEATER

The Stelpro duct heater is designed to guarantee maximum operational safety while ensuring comfort and economy. It is offered in two sizes and combined with a deflector kit for better performance and increased versatility. Please contact your local contractor for details on how to save with the Residential Rate DT.

- **TEMPERATURE SENSOR**
FOR A CONSTANT TEMPERATURE AND OVERHEATING DETECTION
- **INTERLOCK DEVICE**
PREVENTS THE SIMULTANEOUS START-UP OF TWO HEATING SOURCES
- **DEFLECTOR KIT**
PERMITS TO ADAPT TO AN EXISTING SYSTEM
- **USER-FRIENDLY CONTROLS**

COLOR

- charcoal

FINISH

- galvanized steel

MANUFACTURING

- robust monopiece galvanized steel cabinet
- pilot lights that clearly identify the selected modes
- deflector kit (included)
- plenum temperature sensor (abnormal condition detection)
- diagnostic pilot lights
- each element is protected by a set of thermal cut-outs (manual and automatic)

HEATING ASSEMBLY AREA

- 16 in. x 18 in.
- 19 in. x 19 in.

ELEMENTS

- modulating elements for increased comfort and separately framed allowing for quick and easy replacement

CONTROL

- mode selector
- auto transfer function

INSTALLATION

- upflow position

WARRANTY

- three years

°STELPRO

TECHNICAL SPECIFICATIONS

PRODUCT	POWER & VOLTAGE		AMPERAGE	HEATING ASSEMBLY AREA	HEIGHT OA	WIDTH OA	DEPTH OA
	KW	VOLTS	AMPERES	IN.	IN.	IN.	IN.
ASB05211	5/3.8	240/208	20.8/18.1	16 X 18	12 9/16	20 1/8	20 9/16 - 23 9/16
ASB05212	5/3.8	240/208	20.8/18.1	19 X 19	12 9/16	20 1/8	20 9/16 - 23 9/16
ASB10211	10/7.5	240/208	41.7/36.1	16 X 18	12 9/16	20 1/8	20 9/16 - 23 9/16
ASB10212	10/7.5	240/208	41.7/36.1	19 X 19	12 9/16	20 1/8	20 9/16 - 23 9/16
ASB15211	15/11.3	240/208	62.5/54.2	16 X 18	12 9/16	20 1/8	20 9/16 - 23 9/16
ASB15212	15/11.3	240/208	62.5/54.2	19 X 19	12 9/16	20 1/8	20 9/16 - 23 9/16
ASB18211	18/13.5	240/208	75/65	16 X 18	12 9/16	20 1/8	20 9/16 - 23 9/16
ASB18212	18/13.5	240/208	75/65	19 X 19	12 9/16	20 1/8	20 9/16 - 23 9/16
ASB20211	20/15	240/208	83.3/72.2	16 X 18	12 9/16	20 1/8	20 9/16 - 23 9/16
ASB20212	20/15	240/208	83.3/72.2	19 X 19	12 9/16	20 1/8	20 9/16 - 23 9/16
ASB23211	23/17.3	240/208	95.8/83.1	16 X 18	12 9/16	20 1/8	20 9/16 - 23 9/16
ASB23212	23/17.3	240/208	95.8/83.1	19 X 19	12 9/16	20 1/8	20 9/16 - 23 9/16
ASB27211	27/20.3	240/208	112.5/97.5	16 X 18	12 9/16	20 1/8	20 9/16 - 23 9/16
ASB27212	27/20.3	240/208	112.5/97.5	19 X 19	12 9/16	20 1/8	20 9/16 - 23 9/16
ASB30211	30/22.5	240/208	125/108.3	16 X 18	12 9/16	20 1/8	20 9/16 - 23 9/16
ASB30212	30/22.5	240/208	125/108.3	19 X 19	12 9/16	20 1/8	20 9/16 - 23 9/16

MODE ADJUSTMENTS

**BIÉNERGIE
DUAL ENERGY**

- ÉLECTRIQUE/ELECTRIC
- COMBUSTIBLE/FOSSIL FUEL
- THERMOSTAT

**COMBUSTIBLE
FOSSIL FUEL**

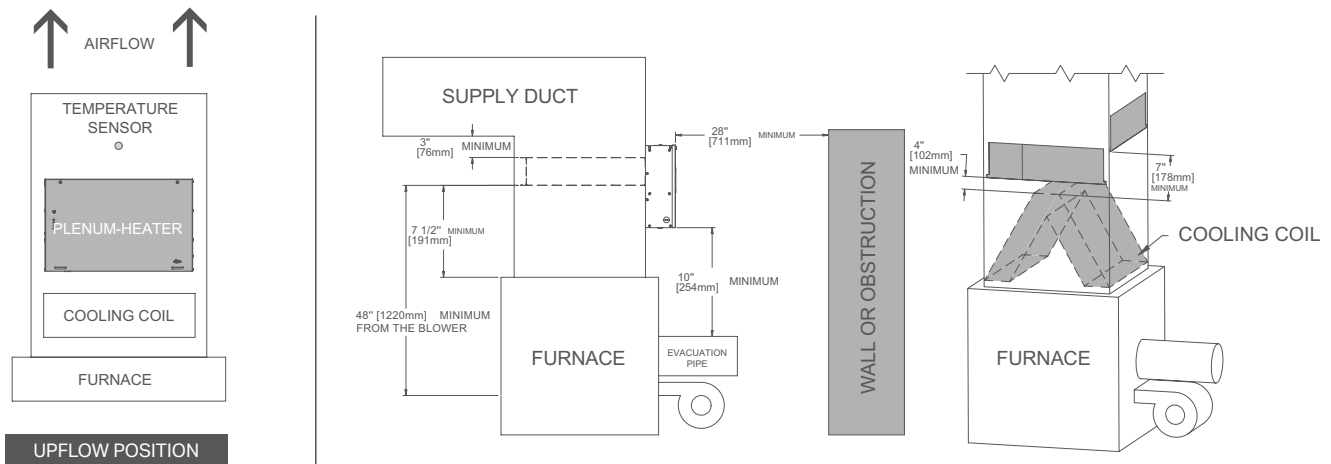
- MARCHE/ON

**ÉLECTRIQUE
ELECTRIC**

- MARCHE/ON

DUAL ENERGY MODE	FOSSIL FUEL MODE	ELECTRIC MODE
heating mode changes automatically depending on the temperature outside	only fossil fuel is used	only the duct heater is used

INSTALLATION



MUAA

MAKE-UP AIR UNIT



GET SOME FRESH AIR... INDOORS!

The MUAA distributes tempered fresh air to provide maximum comfort to the occupants in a well-ventilated home. The heating elements modulate continuously, allowing to heat fresh air at a lower cost. Compact and flexible, this unit has multiple installation positions (horizontal, vertical upflow or downflow) and a plenum kit that allows it to be installed into confined spaces. The MUAA meets ANSI/UL 1995 and ASHRAE 62.2 requirements (*Ventilation and acceptable indoor air quality in low-rise residential buildings*).

- **THE MOST COMPACT AND LIGHTWEIGHT ON THE MARKET**
- **MULTIPLE INSTALLATION POSITIONS**
- **INTEGRATED TEMPERATURE SENSOR FOR EASY INSTALLATION**
- **TWO MODES OF OPERATION** CONTINUOUS AND INTERMITTENT
- **EASY ACCESS TO ELECTRICAL AND MECHANICAL COMPONENTS**
- **PLENUM KIT** FOR INSTALLATION INTO CONFINED SPACES

FINISH

- 22-gauge galvanized steel cabinet resistant to corrosion

MANUFACTURING

- removable electric elements with automatic thermal protection
- manual thermal protection
- built-in temperature sensor
- spring backdraft damper with gasket
- easily accessible, washable aluminum filter

ELEMENTS

- open, nichrome elements
- modulation of the elements by the SCR technology to maintain a constant temperature using only the required energy

CONTROL

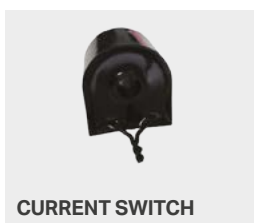
- wall control (MUAA06 120V-1P and 240/208V-1P models)
- terminal strip for exhaust fan (MUAA06 120V-1P and 240/208V-1P models)
- current switch to synchronize with activation of an exhaust fan (other models)

INSTALLATION

- 6 in. to 12 in. round duct
- horizontal air flow for all models
- vertical air upflow or downflow on 6 in. to 10 in. models only
- "zero inch" clearance from flammable materials

WARRANTY

- three years, *five years on elements



TECHNICAL SPECIFICATIONS

PRODUCT	COLLAR DIAMETER	POWER	VOLTAGE	RECOMMENDED FLOW*	WEIGHT	A		B		C		D	
CODE	IN.	KILOWATTS	VOLTS	CFM	LB	IN.	MM	IN.	MM	IN.	MM	IN.	MM
MUAAXYYZZ(M)	6*	1.5 2.0	120-1P	45 60	15	11 7/8	302	18	457	13 1/8	333	8 1/8	206
	6*	1.5 2.0 3.0	240/208-1P	45 60 90	15	11 7/8	302	18	457	13 1/8	333	8 1/8	206
	6	1.5 2.0 3.0	208-3P 347-1P 480-3P 600-3P	45 60 90	27	13 7/8	352	23 1/8	587	18 1/4	464	10	254
	8	4.5 5.0 6.0	240/208-1P 208-3P 347-1P 480-3P 600-3P	120 160 180	28	13 7/8	352	23 1/8	587	18 1/4	464	10	254
	10	7.0 8.0 9.0 10.0 12.0	240/208-1P 208-3P 347-1P 480-3P 600-3P	210 240 270 300 360	42	18 5/8	473	28 1/8	714	21 7/8	556	12 3/4	324
	12	8.0 10.0 12.0 14.0 16.0 18.0 20.0	240/208-1P 208-3P 347-1P 480-3P 600-3P	240 300 360 420 480 540 600	45	18 5/8	473	28 1/8	714	21 7/8	556	12 3/4	324

XX: Collar diameter

YY: Power in kilowatt (01 = 1.5 kw et 04 = 4.5 kw)

ZZ: Voltage (11 = 120V-1P | 83 = 208V-3P | 21 = 240/208V-1P | 31 = 347V-1P | 53 = 480V-3P | 63 = 600V-3P)

(M): A motorized feature is available upon request for 6* models.

6*: These models are offered with a neutral terminal (three-wire connection). Refer to the electrical drawing for more details.

* To reach maximum product outlet temperature when outside temperature is -20 °C (-4 °F)

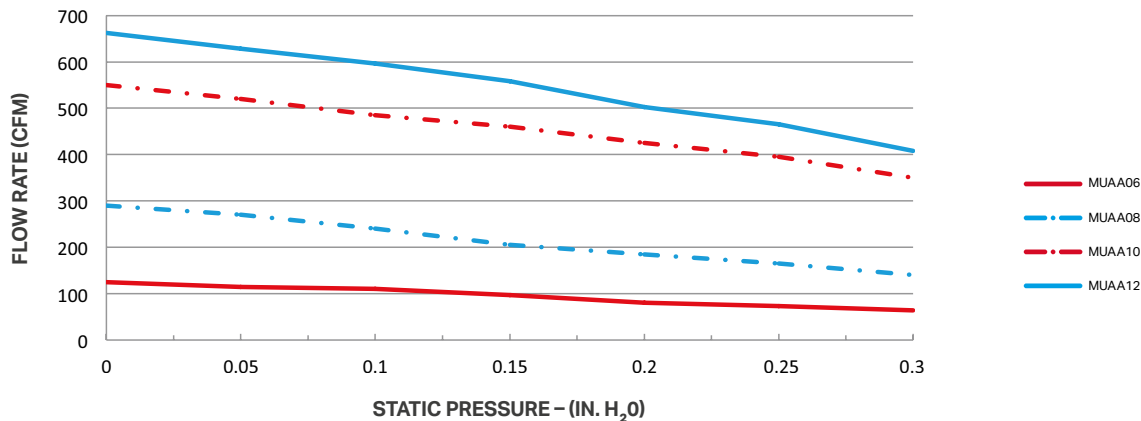
ACCESSORIES

PRODUCT	DESCRIPTION
SWI-037	wall control (included with the MUA06 120V-1P and 240/208V-1P models)
MUA06-DIS*	disconnect switch 6 in (25 A @ 120 V-1P, 240/208 V-1P)
MUA06-DIS*	disconnect switch 6 in (40 A @ 208 V-3P, 347 V-1P, 480 V-3P, 600 V-3P)
MUA08-DIS*	disconnect switch 8 in (40 A)
MUA10-DIS*	disconnect switch 10 in (100 A)
MUA12-DIS*	disconnect switch 12 in (100 A)
MUA06-DNW**	plenum kit 6 in (25 A @ 120 V-1P, 240/208 V-1P)
MUA06-DNW**	plenum kit 6 in (40 A @ 208 V-3P, 347 V-1P, 480 V-3P, 600 V-3P)
MUA08-DNW**	plenum kit 8 in (40 A)
MUA10-DNW**	plenum kit 10 in (100 A)
MUA12-DNW**	plenum kit 12 in (100 A)

* Includes a disconnect switch, sealed control panel (meet NEMA 12) and wire mesh at air outlet.

** Factory installed

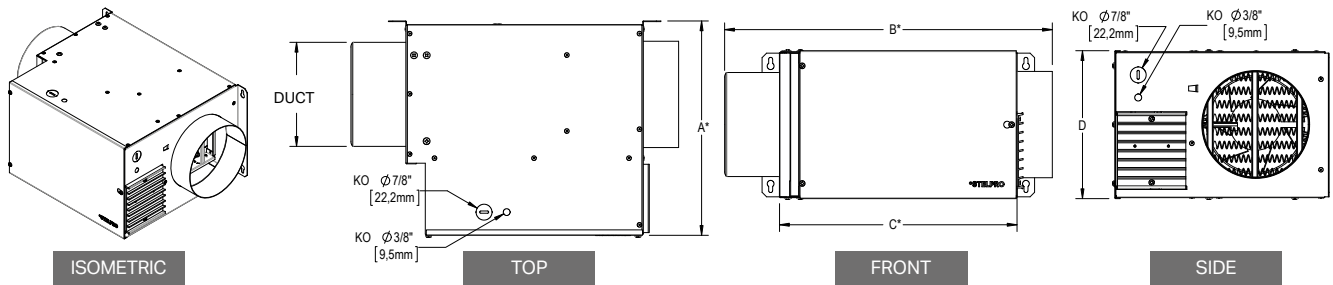
MAXIMUM PERFORMANCE CHART



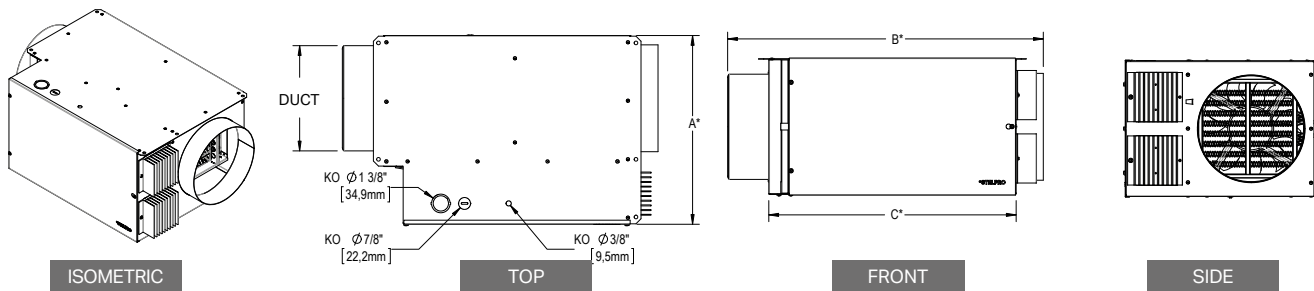


TECHNICAL DRAWINGS

MUAA06 120V-1P AND 240/208V-1P MODELS



OTHER MODELS



SCV

VENTILATION CABINET



THE SWISS ARMY KNIFE OF VENTILATION

Stelpro innovates once again with its new SCV ventilation cabinet for residential and commercial use. The Stelpro SCV ventilation cabinet is available in four practical formats with a variety of controls to meet the requirements of all types of installations. Combined with one of our SDHx coils, we get a custom-made furnace. Its flexibility, versatility and optimized controls make it the Swiss Army knife of ventilation.

- **WIDE VARIETY OF AIRFLOWS**
400 CFM TO 2200 CFM
- **WIDE VARIETY OF CONTROLS FOR ALL TYPES OF INSTALLATIONS**
- **QUICK AND EASY INSTALLATION**
- **MULTIPOSITION INSTALLATION**

COLOUR

- charcoal

FINISH

- powder paint

MANUFACTURING

- robust galvanized steel housing
- easy access to all components

MOTOR

- capacitor fan motor or ECM motor sealed and lubricated for life

CONTROL

- four types: low voltage, built-in, remote or without control
- user friendly digital interface (remote model only)

INSTALLATION

- multipositions (vertical ascending, vertical descending, horizontal)
- direct installation on walls ("zero inch" clearance)
- can be suspended from ceiling
- voltage 120 V, 208 V or 240 V

WARRANTY

- five years, *three years on electronic components



REMOTE CONTROL
(ECM MODEL)

PRODUCT NUMBER LEGEND

SCV-E-14 0 2

PRODUCT SERIES: Stelpro Cabinet Ventilation

MOTOR: P = PSC; E = ECM

CFM x 100

TYPE OF CONTROL: 0 = WITHOUT CONTROL; 1 = BUILT-IN;
2 = REMOTE 4 FT*; 3 = REMOTE 10 FT*; 4 = LOW VOLTAGE CONTROL

VOLTAGE: 1 = 120 V - 2 = 240/208 V

* OPTIONS 2 AND 3 ARE AVAILABLE ONLY WITH SPEED OF 1400 AND 2200 CFM

°STELPRO

Stelpro reserves the right to modify descriptions, manufacturing specifications or prices without prior notice. Returns are not accepted for orders of products with optional colours. For all the latest models and prices, please refer to our website at www.stelpro.com.

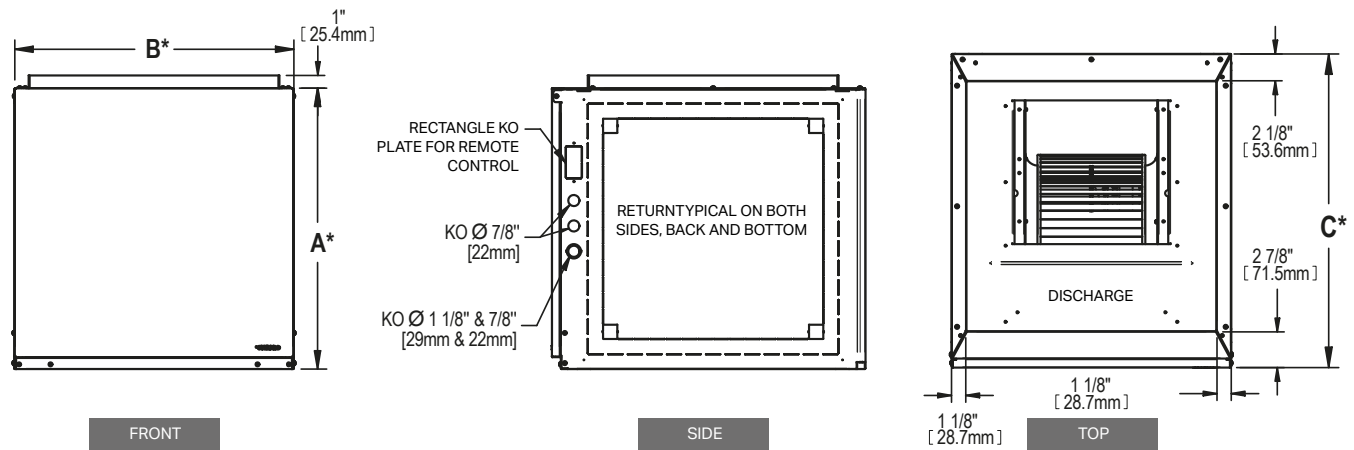


TECHNICAL SPECIFICATIONS

PRODUCT	VOLTAGE	AMPERAGE	SPEED	HEIGHT (A)	WIDTH (B)	DEPTH (C)	WEIGHT		
CODE	VOLTS	AMPERES	HP	CFM	IN.	IN.	IN.	LB	KG
SCV-P-401	120	4.6	1/3	400	18	14	20 3/4	40	18.2
SCV-P-441	120	4.6	1/3	400	18	14	20 3/4	40	18.2
SCV-P-442	240/208	2.2/2.3	1/3	400	18	14	20 3/4	40	18.2
SCV-P-411	120	4.6	1/3	400	18	14	20 3/4	40	18.2
SCV-P-412	240/208	2.2/2.3	1/3	400	18	14	20 3/4	40	18.2
SCV-P-601	120	4.6	1/3	600	18	14	20 3/4	40	18.2
SCV-P-641	120	4.6	1/3	600	18	14	20 3/4	40	18.2
SCV-P-642	240/208	2.2/2.3	1/3	600	18	14	20 3/4	40	18.2
SCV-P-611	120	4.6	1/3	600	18	14	20 3/4	40	18.2
SCV-P-612	240/208	2.2/2.3	1/3	600	18	14	20 3/4	40	18.2
SCV-P-841	120	4.6	1/3	800	20	18	22 3/4	50	22.7
SCV-P-811	120	2.2/2.3	1/3	800	20	18	22 3/4	50	22.7
SCV-P-812	240/208	4.6	1/3	800	20	18	22 3/4	50	22.7
SCV-P-1041	120	4.6	1/3	1000	20	18	22 3/4	50	22.7
SCV-P-1011	120	2.2/2.3	1/3	1000	20	18	22 3/4	50	22.7
SCV-P-1012	240/208	4.6	1/3	1000	20	18	22 3/4	50	22.7
SCV-P-1401	120	7.4	1/2	1400	22	22	24 3/4	60	27.3
SCV-P-1402	240/208	3.3/3.4	1/2	1400	22	22	24 3/4	60	27.3
SCV-P-1411	120	7.4	1/2	1400	22	22	24 3/4	60	27.3
SCV-P-1412	240/208	3.3/3.4	1/2	1400	22	22	24 3/4	60	27.3
SCV-P-2202	240/208	5.1/5.2	1	2200	26	26	28 3/4	80	36.4
SCV-P-2212	240/208	5.1/5.2	1	2200	26	26	28 3/4	80	36.4
SCV-E-611*	120	5.8	1/2	300 to 600	18	14	20 3/4	40	18.2
SCV-E-612*	240/208	3.9/4.0	1/2	300 to 600	18	14	20 3/4	40	18.2
SCV-E-1011*	120	5.8	1/2	300 to 1000	20	18	22 3/4	50	22.7
SCV-E-1012*	240/208	3.9/4.0	1/2	300 to 1000	20	18	22 3/4	50	22.7
SCV-E-1411*	120	5.8	1/2	300 to 1400	22	22	24 3/4	60	27.3
SCV-E-1412*	240/208	3.9/4.0	1/2	300 to 1400	22	22	24 3/4	60	27.3
SCV-E-1421*	120	5.8	1/2	300 to 1400	22	22	24 3/4	60	27.3
SCV-E-1422*	240/208	3.9/4.0	1/2	300 to 1400	22	22	24 3/4	60	27.3
SCV-E-1431*	120	5.8	1/2	300 to 1400	22	22	24 3/4	60	27.3
SCV-E-1432*	240/208	3.9/4.0	1/2	300 to 1400	22	22	24 3/4	60	27.3
SCV-E-2211*	120	11.1	1	400 to 2200	26	26	28 3/4	80	36.4
SCV-E-2212*	240/208	7.3/7.4	1	400 to 2200	26	26	28 3/4	80	36.4
SCV-E-2221*	120	11.1	1	400 to 2200	26	26	28 3/4	80	36.4
SCV-E-2222*	240/208	7.3/7.4	1	400 to 2200	26	26	28 3/4	80	36.4
SCV-E-2231*	120	11.1	1	400 to 2200	26	26	28 3/4	80	36.4
SCV-E-2232*	240/208	7.3/7.4	1	400 to 2200	26	26	28 3/4	80	36.4

* CFM adjustable with potentiometer. Maximum CFM measured at 0.5" H₂O of static pressure
 Custom model available – contact your representative. For model SCV-E at 800 CFM, order a SCV-E-10XX. For model SCV-E at 400 CFM, order a SCV-E-6XX.

TECHNICAL DRAWINGS



*Measurements indicated in the table above.

Hand dryers

Stelpro hand dryers were developed to be efficient, customizable and eco-friendly. From design to manufacturing, our ultimate goal is to offer multi-purpose hand dryers that can meet all your needs, no matter the conditions of use.

ELN – EL-NIÑO™

HAND DRYER



THE PERFECT COMBINATION OF POWER AND STYLE

The El-Niño is absolutely incredible; you have to try it to believe it. This powerful hand dryer dries hands completely in only ten seconds. The El-Niño is a quiet, energy-efficient solution that combines quick drying with overall savings. This state-of-the-art hand dryer offers four personalized operating modes to meet your needs. Save time and money with the stylish El-Niño!

- **NOISE LEVEL AND HEAT CONTROL**
FOUR PERSONALIZED MODES
- **ENERGY EFFICIENT IN ECONOMICAL AND HARMONY MODES**
- **HEAVY-DUTY DIE-CAST ALUMINUM ALLOY SHELL**
- **STYLISH AND COMPACT**
- **SEMI-RECESSED INSTALLATION**
LESS THAN 4 INCHES

COLORS

- **standard:** white
- **luxury finish:** brushed chrome (surcharge)
- **Orora (optional):** refer to www.stelpro.com/en-US/Orora

FINISH

- epoxy-polyester powdercoat or chrome-plated

MANUFACTURING

- rib reinforced shell, solidly constructed of die-cast aluminum alloy
- lightweight, heavy duty and rustproof shell
- wall bracket with two chrome-plated tamper-proof bolts

ELEMENT

- nichrome element located in motor section

CONTROL

- four personalized operating modes to meet your needs
- infrared optical sensor located next to the air outlet activates and deactivates the hand dryer
- 60-second lockout feature is activated if hands are not removed before this time

INSTALLATION

- surface mounted
- optional semi-recessed installation with depth of 4 inches or less; meets ADA standards (Americans with Disabilities Act)

WARRANTY

- five years,*three years on electronic components

TECHNICAL SPECIFICATIONS

PRODUCT CODE	POWER (WATTS)*			VOLTAGE	AMPERAGE	WEIGHT
	ELEMENT	MOTOR	TOTAL	VOLTS	AMPERES	LB
ELNV0901A	900	550	1450	120	10	9.8
ELNV0902A	900	550	1450	240	5.8	9.8
ELNV0908A	900	550	1450	208	5	9.8

Add W for white or BC for brushed chrome (consult the optional colors chart or contact your Stelpro representative for all other colors).

*Data obtained in Normal/High mode

ACCESSORIES

PRODUCT	DESCRIPTION
ELNKO*	Pre-drilled sleeve for electrical connection
SHDXL-89W	Wall guard - white (15 3/4 in. x 31 3/4 in. x 1/16 in.) – set of two
SHDXL-89B	Wall guard - black (15 3/4 in. x 31 3/4 in. x 1/16 in.) – set of two
SHDXL-89S	Wall guard - stainless steel (15 3/4 in. x 31 3/4 in. x 1/16 in.) – set of two

* Factory installed

PRE-DRILLED SLEEVE FOR ELECTRICAL CONNECTION

The pre-drilled sleeve allows for an electrical connection to the top of the unit in the case when access to the junction box from inside the wall or the bottom of the unit is problematic or not required (only available for surface mounted installation).



WALL GUARD

The wall guard protects the wall under the hand dryer from drops of water due to wet hands being blown dry and makes cleaning easier.



OPERATING MODES

The EI-Niño's built-in electronic control lets you personalize your unit to meet all your needs.

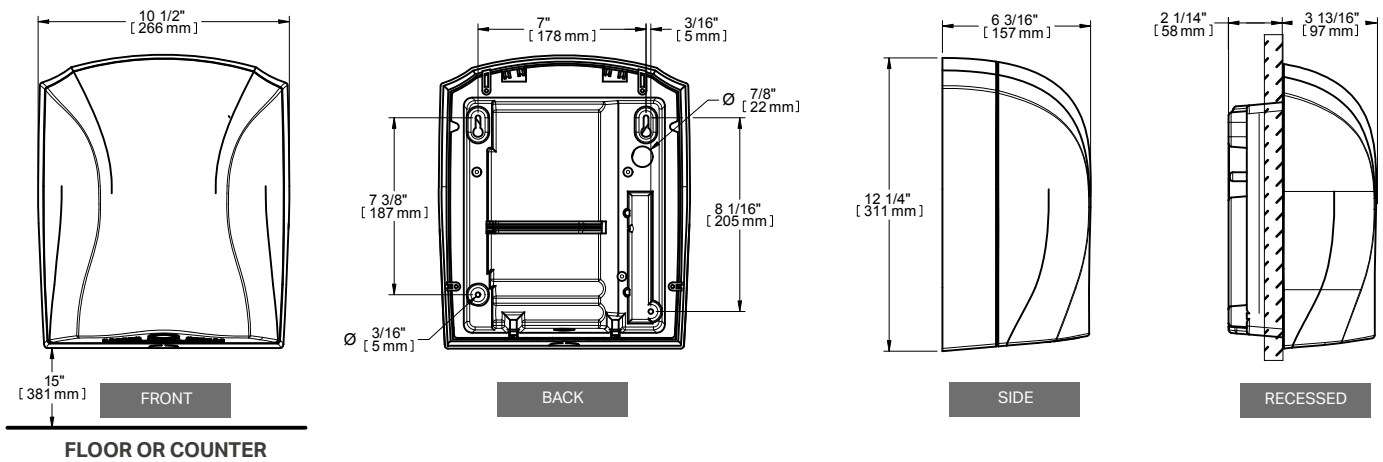
MODE	ENERGY SAVINGS	AIR SPEED OR AIR FLOW	HEATING POWER	NOISE LEVEL	DRYING TIME
ULTIMATE – Normal/High mode High air speed and full heating power for quick drying Ideal for: stadiums, arenas, theatres, public places and warehouses	---				
COMFORT – Normal/Low mode Reduced air speed and moderate heating power for comfortable noise level and heat range Ideal for: libraries, small restaurants and coffee shops	---				
ECONOMICAL – Eco/High mode High air speed without heat for quick drying with energy and cost savings Ideal for: schools, universities, amusement parks, warehouses and large restaurants			---		
HARMONY – Eco/Low mode Reduced air speed without heat for energy savings and a moderate noise level Ideal for: hospitals, libraries, daycares, small restaurants and coffee shops			---		

MODE	AIR SPEED (LFM)		TOTAL POWER	NOISE LEVEL (DB)	
	AT AIR OUTLET	AT HAND LEVEL*	WATTS	WITHOUT HANDS	WITH HANDS
ULTIMATE	19 000	16 000	1450	77	90
COMFORT	11 400	9600	1175	72	85
ECONOMICAL	19 000	16 000	550	77	90
HARMONY	11 400	9600	465	72	85

*4 inches below

Stelpro reserves the right to modify descriptions, manufacturing specifications or prices without prior notice. Returns are not accepted for orders of products with optional colors. For all the latest models and prices, please refer to our website at www.stelpro.com.

TECHNICAL DRAWINGS



RECOMMENDED INSTALLATION HEIGHTS

Distance between floor and bottom of hand dryer

MEN	WOMEN	TEENAGERS	CHILDREN	HANDICAPPED
45 in.	43 in.	41 in.	35 in.	37 in.

3 LEVELS OF DETECTION

Adjust the sensitivity level of your hand dryer to meet usage requirements.

Detection distances may vary depending on lighting conditions.



MAXIMAL DETECTION – STANDARD (APPROX. 4 IN.)



MEDIUM DETECTION – DECREASED (APPROX. 3 IN.)



MINIMAL DETECTION – MINIMUM (APPROX. 2 IN.)



SHDXL – XLERATOR™

HAND DRYER



XLERATOR

THE STANDARD IN HIGH VELOCITY

The first high velocity hand dryer on the market, the Xlerator sets the standard for quality and performance in its category. The Xlerator dries hands in seconds, making it the ultimate choice in washrooms with high traffic, such as stadiums, arenas and public places. Its reinforced, die-cast zinc alloy shell make it virtually unbreakable. The first choice for LEED® buildings, the Xlerator is the ideal high velocity hand dryer!

- **DRIES HANDS IN ONLY 8 SECONDS†!**
- **LED WARNING LIGHT IN CASE OF PROBLEMS**
- **PERFECT FOR LEED® BUILDINGS**
- **CHOICE OF 5 COLORS AND CUSTOMIZATION WITH YOUR LOGO**

COLORS

- **standard:** white, white polymer BMC
- **luxurious finish:** chrome, graphite or brushed stainless steel (surcharge)

FINISH

- epoxy-polyester powdercoat

MANUFACTURING

- rib reinforced shell, solidly constructed of die-cast zinc alloy
- lightweight, unbreakable and rustproof
- secured to its supporting wall bracket with two chrome-plated, tamper-proof bolts

SOUND LEVEL

- 71 dBA (81 dBA with hands)

ELEMENT

- nichrome element producing instant heat

CONTROL

- infrared optical sensor located next to the air outlet activates hand dryer
- 35-second lockout feature is activated if hands are not removed before this time

INSTALLATION

- wall mounted

WARRANTY

- five years, *three years on electronic components

† Dry time and energy use testing performed by SGS International on standard XLERATOR Hand Dryer with 0.8 in. nozzle to 0.25 g or less of residual moisture, pursuant to the UL Environment Global Product Category Rules (PCR) for Hand Dryers.

TECHNICAL SPECIFICATIONS

PRODUCT CODE	POWER (WATTS)			VOLTAGE	AMPERAGE	WEIGHT
	ELEMENT	MOTOR	TOTAL	VOLTS	AMPERES	LB
SHDXLAS1	1000	500	1500	120	12.5	16
SHDXLAS2	1000	500	1500	208-240-277	6.5	16

Add W for white, BW for white polymer BMC, CH for chrome, SS for brushed stainless steel or GR for graphite.

°STELPRO

Stelpro reserves the right to modify descriptions, manufacturing specifications or prices without prior notice. Returns are not accepted for orders of products with optional colors. For all the latest models and prices, please refer to our website at www.stelpro.com.



	ENERGY SAVINGS	AIR SPEED OR AIR FLOW	HEATING POWER	NOISE LEVEL	DRYING TIME
ADJUSTABLE PARAMETERS: HEAT, MOTOR AND RANGE Ideal for: schools, arenas, stadiums and busy public places					

*At maximum capacity

RECOMMENDED INSTALLATION HEIGHTS

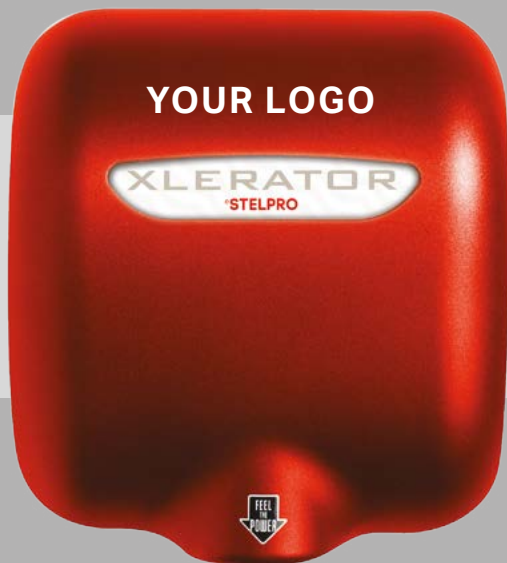
Distance between floor and bottom of hand dryer

MEN	WOMEN	TEENAGERS	CHILDREN	HANDICAPPED
45 in.	43 in.	41 in.	35 in.	37 in.

CHOICE OF 5 COLORS



PERSONALIZATION



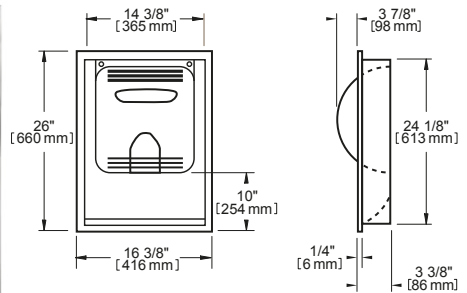
Create a memorable impact by personalizing your hand dryer. Choose your color and have your company logo printed right on the dryer. For more details, contact your Stelpro representative.

ACCESSORIES

PRODUCT	DESCRIPTION
SHDXL-40525	HEPA filter kit
SHDXL-40520	HEPA replacement filter
SHDXL-94	Replacement pre-filter with stainless steel mesh screen
SHDXL-40502	Stainless steel recess kit
SHDXL-89W	Wall guard - white (15 3/4 in. x 31 3/4 in. x 1/16 in.) – set of two
SHDXL-89B	Wall guard - black (15 3/4 in. x 31 3/4 in. x 1/16 in.) – set of two
SHDXL-89S	Wall guard - stainless steel (15 3/4 in. x 31 3/4 in. x 1/16 in.) – set of two

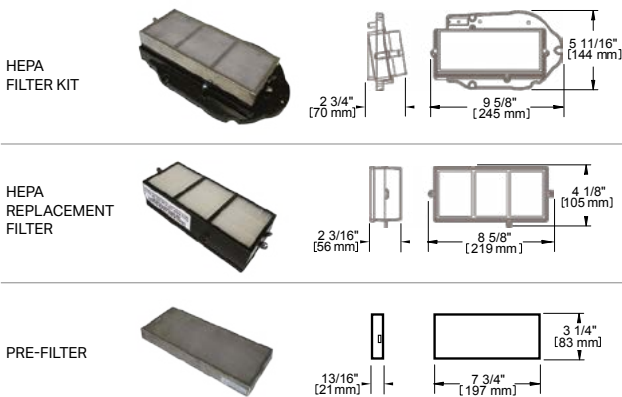
RECESS KIT

The recess kit is comprised of a stainless steel, satin finish wall box and mounting plate. When installed with the recess kit, the XLERATOR takes up less than 4 in. of wall depth, meeting ADA Protusion Requirements (*Americans with Disabilities Act*).



HEPA FILTRATION SYSTEM

STELPRO offers the only certified HEPA filtration system proven to remove 99.97% of bacteria and particles from the air.

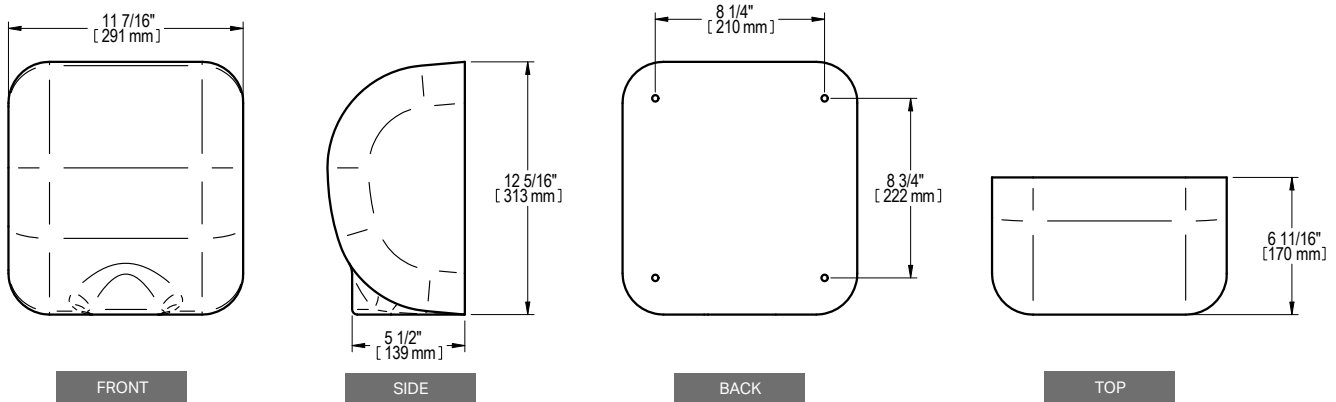


WALL GUARD


























The wall guard protects the wall under the hand dryer from drops of water due to wet hands being blown dry, keeping bacteria from forming on the wall.



TECHNICAL DRAWINGS



HAND DRYER CROSS-REFERENCE TABLE

	ENERGY SAVINGS	AIR SPEED OR AIR FLOW	HEATING POWER	NOISE LEVEL	DRYING TIME	ON/OFF OPERATION	WARRANTY
EL-NIÑO™ Ultimate Mode	---					AUTOMATIC WITH THREE DETECTION LEVELS	
EL-NIÑO™ Comfort Mode	---						
EL-NIÑO™ Economical Mode			---				
EL-NIÑO™ Harmony Mode			---				
XLERATOR™ Adjustable parameters: heat, motor and range		 ADJUSTABLE			 [†]	AUTOMATIC WITH ADJUSTABLE DETECTION LEVELS	
							
							

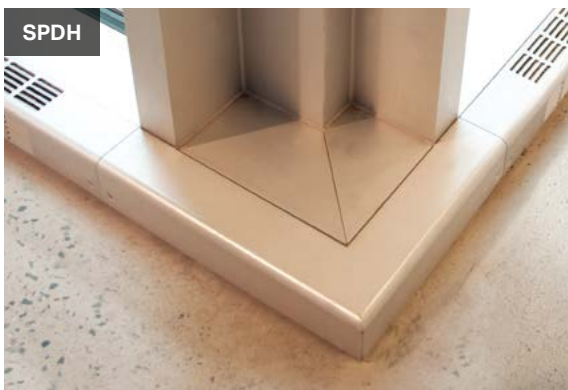
* Three years on electronic components

† At maximum capacity

Useful
information

CUSTOM PROJECTS

(contact your Stelpro representative for exact specifications)



NOMENCLATURE

STANDARD MODELS

B		050		2		W	
SERIES		POWER		VOLTAGE		COLOR	
AMIR		500 W	050	120 V	1	WHITE	W
ASHC		750 W	075	208 V	8	SOFT WHITE	SW
ABA		1000 W	100	240 V	2	ALMOND	A
ASPR		1250 W	125	277 V	7	ANODIZED ALUMINUM PAINT	CAP
AB		1500 W	150	480 V	5	GRAVEL GRAY	GG
ASOA		1750 W	175			CHARCOAL	CHAR
ASSO		2000 W	200			ESPRESSO	ES
ASSOS		2250 W	225			BLACK	BK
ASSOH		2500 W	250			MIDNIGHT BLUE	MB
ARWF*						DENIM BLUE	DB
ASKS						TURQUOISE	TQ
ASK*						MOSS GREEN	MG
PDH						CANARY YELLOW	Y
ASIRH						ORANGE	O
AWF*						RED	R
ACF*							

* See the exceptions in the technical specifications table of each product.

COMMERCIAL/INDUSTRIAL MODELS

ACBH	05	6	3	CT	W
SERIES	POWER (KW)	VOLTAGE	PHASE	CONTROL	COLOR

This nomenclature applies to the following series: ADR, ACBH, ASDC, ASHU.

ARCHITECTURAL MODELS

DBI	24	20	3	W
SERIES	LENGTH	POWER	VOLTAGE	COLOR
	X 100 = MM	X 100 = W		

This nomenclature applies to the following series: SPDH, CBB, CBF, SCA, SCAS, DBI, ACW750, ACWS750, ACW1000, ACWS1000, AALUX1, AALUX2, AALUX3, AALUX4.

COMPATIBILITY OF THERMOSTATS AND RELAYS

SUGGESTED THERMOSTATS AND RELAYS

MODEL	ASAT402ZB	ASMC402AD ASMT402AD	STZW402	ST252NP	ST252NPFF	ST302NP ST302P	ST402NP ST402P	ST402NPFF ST402PFF	STE403NP	STE302R2+	STCNP STCP	STE241*	TH140-28-01-B*	ET180 4**	TH115AF A/RELAIS CT230GA	SWT1C SWT1F	M600	OTHER
AALUX1	X	X	X	X		X	X		X	X		X	X	X		X	X	
AALUX2	X	X	X	X		X	X		X	X		X	X	X		X	X	
AALUX3	X	X	X	X		X	X		X	X		X	X	X		X	X	
AALUX4	X	X	X	X		X	X		X	X		X	X	X		X	X	
AB	X	X	X	X		X	X		X	X		X	X	X		X	X	
ABA	X	X	X	X		X	X		X	X		X	X	X		X	X	
CBB	X	X	X	X		X	X		X	X		X	X	X		X	X	
CBF	X	X	X	X		X	X		X	X		X	X	X		X	X	
ACBH	X	X			X			X	X	X		X	X	X		X	X	
ACF	X	X			X			X	X	X		X	X	X		X	X	
ACW1000	X	X	X	X		X	X		X	X		X	X	X		X	X	
ACW750	X	X	X	X		X	X		X	X		X	X	X		X	X	
ACWS1000	X	X	X	X		X	X		X	X		X	X	X		X	X	
ACWS750	X	X	X	X		X	X		X	X		X	X	X		X	X	
DBI	X	X	X	X		X	X		X	X		X	X	X		X	X	
ADR	X	X			X			X	X			X	X	X		X	X	
EC																		ST-XPROEC
EU																		ST-XPROEU
AMIR	X	X	X	X		X	X		X	X		X	X					
PDH	X	X	X	X		X	X		X	X		X	X	X		X	X	
ARUH	X	X			X			X	X	X		X	X	X		X	X	
ARWF	X	X			X			X	X	X		X	X	X		X	X	
SCA	X	X	X	X		X	X		X	X		X	X	X		X	X	
SCAS	X	X	X	X		X	X		X	X		X	X	X		X	X	
SCPT																		X
SCR	X	X	X	X		X	X		X	X		X	X	X		X	X	
SCRG																		X
SCU											X				X			
ASDC														X		X	X	
SECM											X				X			
ASHC	X	X	X	X		X	X		X			X	X					
ASHU	X	X		X		X	X			X		X	X	X		X	X	
ASIRH																		SIRHC402-1
ASK	X	X	X		X			X	X	X		X	X	X		X	X	
ASKS	X	X			X			X	X	X		X	X	X		X	X	
ASOA	X	X			X			X	X	X								
SPDH	X	X	X	X		X	X		X	X		X	X	X		X	X	
ASPR	X	X	X	X		X	X		X	X		X	X	X		X	X	
SSFP																		X
SSFR																		X
SSC/SSCM																		X
ASSO	X	X			X			X	X	X						X	X	
ASSOH	X	X			X			X	X	X						X	X	
ASSOS	X	X			X			X	X	X						X	X	
SWU																		SWUT1
VUH												X	X	X		X	X	
AWF	X	X			X			X	X	X		X	X	X		X	X	
AWFA	X	X			X			X	X	X		X	X	X		X	X	

The suggested thermostats may not be compatible with certain voltages, powers and control circuits. Consult the thermostat's user's guide for more information on compatibility.
 * A/RELAIS RE, RM347C or R841D1036 ** A/RELAIS RE, RM347T, RM240T, R841 or CIRCUIT C2 (For ASHU, ACBH and ASDC models, please consult customer service for the exceptions.)

AMPERAGE CHART

POWER (KW)	VOLTS (PH)													
	120 V (1)	208 V (1)	208 V (3)	240 V (1)	240 V (3)	277 V (1)	347 V (1)	416 V (1)	416 V (3)	480 V (1)	480 V (3)	600 V (1)	600V (3)	
0.3	2.50	1.45	0.83	1.25	0.72	1.09	0.87	0.73	0.42	0.63	0.36	0.50	0.29	
0.4	3.34	1.92	1.11	1.67	0.97	1.45	1.16	0.97	0.56	0.84	0.49	0.67	0.39	
0.5	4.17	2.41	1.39	2.09	1.21	1.81	1.44	1.21	0.70	1.05	0.61	0.84	0.49	
0.6	5.00	2.89	1.66	2.50	1.45	2.17	1.73	1.45	0.84	1.25	0.72	1.00	0.58	
0.75	6.25	3.61	2.09	3.13	1.81	2.71	2.17	1.81	1.05	1.57	0.91	1.25	0.72	
0.8	6.67	3.85	2.23	3.34	1.93	2.89	2.31	1.93	1.12	1.67	0.97	1.34	0.77	
1.0	8.34	4.81	2.78	4.17	2.41	3.61	2.89	2.41	1.39	2.09	1.21	1.67	0.97	
1.2	10.00	5.77	3.34	5.00	2.89	4.34	3.46	2.89	1.67	2.50	1.45	2.00	1.16	
1.25	10.42	6.01	3.47	5.21	3.01	4.52	3.61	3.01	1.74	2.61	1.51	2.09	1.21	
1.4	11.67	6.73	3.89	5.84	3.38	5.06	4.04	3.37	1.95	2.92	1.40	2.34	1.35	
1.5	12.50	7.22	4.17	6.25	3.61	5.42	4.33	3.61	2.09	3.13	1.81	2.50	1.45	
1.6	13.34	7.70	4.45	6.67	3.86	5.78	4.61	3.85	2.23	3.34	1.93	2.67	1.54	
1.75	14.59	8.42	4.87	7.30	4.22	6.32	5.05	4.21	2.43	3.65	2.11	2.92	1.69	
2.0	16.67	9.62	5.56	8.34	4.82	7.22	5.77	4.81	2.78	4.17	2.41	3.34	1.93	
2.25	18.75	10.82	6.25	9.38	5.42	8.13	6.49	5.41	3.13	4.69	2.71	3.75	2.17	
2.5	20.84	12.02	6.95	10.42	6.02	9.03	7.21	6.01	3.47	5.21	3.01	4.17	2.41	
3.0	25.00	14.43	8.34	12.50	7.23	10.83	8.65	7.22	4.17	6.25	3.61	5.00	2.89	
4.0	33.34	19.23	11.12	16.67	9.64	14.44	11.53	9.62	5.56	8.34	4.82	6.67	3.86	
4.5	37.50	21.64	12.50	18.75	10.84	16.25	12.97	10.82	6.25	9.38	5.42	7.50	4.34	
4.8	40.00	23.08	13.34	20.00	11.56	17.33	13.83	11.54	6.67	10.00	5.78	8.00	4.62	
5.0	41.67	24.04	13.90	20.84	12.05	18.05	14.41	12.02	6.95	10.42	6.02	8.34	4.82	
6.0	50.00	28.85	16.68	25.00	14.45	21.66	17.30	14.43	8.34	12.50	7.23	10.00	5.78	
7.5	62.50	36.06	20.84	31.25	18.06	27.08	21.62	18.03	10.42	15.63	9.03	12.50	7.23	
8.0	66.67	38.47	22.23	33.34	19.27	28.88	23.06	19.23	11.12	16.67	9.64	13.34	7.71	
9.0	75.00	43.27	25.01	37.50	21.68	32.49	25.94	21.64	12.51	18.75	10.84	15.00	8.67	
10.0	83.34	48.08	27.79	41.67	24.09	36.11	28.82	24.04	13.90	20.84	12.05	16.67	9.64	
12.0	100.00	57.70	33.25	50.00	28.90	43.33	34.59	28.85	16.68	25.00	14.45	20.00	11.56	
14.0	116.67	67.31	38.91	58.33	33.72	50.54	40.35	33.65	19.45	29.17	16.86	23.33	13.49	
15.0	125.00	72.12	41.69	62.50	36.13	54.16	43.23	36.06	20.84	31.25	18.06	25.00	14.45	
18.0	150.00	86.54	50.02	75.00	43.35	64.99	51.88	43.27	25.01	37.50	21.68	30.00	17.34	
20.0	166.67	96.16	55.58	83.34	48.17	72.21	57.64	48.00	27.75	41.67	24.09	33.34	19.27	
24.0	200.00	115.39	66.69	100.00	57.80	86.65	69.17	57.70	33.35	50.00	28.90	40.00	23.12	
25.0	208.34	120.20	69.48	104.17	60.21	90.26	72.05	60.10	34.74	52.09	30.11	41.67	24.09	
30.0	250.00	144.23	83.37	125.00	72.25	108.31	86.46	72.12	41.69	62.50	36.13	50.00	28.90	
35.0	291.67	168.27	97.27	145.84	84.30	126.36	100.87	84.14	48.64	72.92	42.15	58.34	33.72	
40.0	333.34	192.31	111.16	166.67	96.34	144.41	115.28	96.16	55.58	83.34	48.17	66.67	38.54	
45.0	375.00	216.35	125.06	187.50	108.38	162.46	129.69	108.18	62.53	93.75	54.19	75.00	43.35	
50.0	416.67	240.39	138.95	208.34	120.43	180.51	144.10	120.20	69.48	104.17	60.21	83.34	48.17	
55.0	458.34	264.43	152.85	229.17	132.47	198.56	158.51	132.22	76.43	114.59	66.24	91.67	52.99	
60.0	500.00	288.47	166.75	250.00	144.51	216.61	172.91	144.23	83.37	125.00	72.25	100.00	57.80	

SINGLE PHASE AMPS

$$\frac{\text{Watts}}{\text{Volts}} = \text{Amps}$$










THREE PHASE AMPS

$$\frac{\text{Watts}}{\text{Volts} \times 1.73} = \text{Amps}$$

OHMS

$$\frac{\text{Volts}^2}{\text{Watts}} = \text{Ohms} \quad \text{OR} \quad \frac{\text{Volts} \times \text{Volts}}{\text{Watts}} = \text{Ohms}$$

CROSS-REFERENCE TABLE

	STELPRO		BERKO	QMARK	TPI/MARKEL	KING	CADET	DIMPLEX
BASEBOARD*								
	AB0301	300 W 120 V 19 7/8 in.	2512	2512	E2903	---	2F350-1	---
	AB0501	500 W 120 V 27 7/8 in.	25126	25126	E2905	2K1205	2F500-1	---
	AB0751	750 W 120 V 37 5/8 in.	2513	2513	E2907	3K1207	3F750-1	---
	AB41001	1000 W 120 V 48 in.	2514	2514	E2910	4K1210	4F1000-1	---
	AB51251	1250 W 120 V 60 in.	2515	2515	E2912	5K1212	---	---
	AB61501	1500 W 120 V 72 in.	2516	2516	E2915	6K1215	6F1500-1	---
	AB0302	300 W 240 V 19 7/8 in.	2542	2542	H2903	---	2F350	DPEG0300
	AB0502	500 W 240 V 27 7/8 in.	25426	25426	H2905	2K2405	2F500	DPEG0500
	AB0752	750 W 240 V 37 5/8 in.	2543	2543	H2907	3K2407	3F750	DPEG0750
	AB41002	1000 W 240 V 48 in.	2544	2544	H2910	4K2410	4F1000	DPEG1000
	AB51252	1250 W 240 V 60 in.	2545	2545	H2912	5K2412	5F1250	DPEG1250
	AB61502	1500 W 240 V 72 in.	2546	2546	H2915	6K2415	6F1500	DPEG1500
	AB1752	1750 W 240 V 76 in.	---	---	H2917	---	---	DPEG1750
	AB82002	2000 W 240 V 96 in.	2548	2548	H2920	8K2420	8F2000	DPEG2000
	AB82252	2250 W 240 V 96 in.	---	---	---	---	---	---
	AB2502	2500 W 240 V 102 5/8 in.	25408	25408	H2925	8K2424	8F2500	DPEG2500
	SIBT1	SPST integral thermostat kit	TA1A	TA1A	TBS	BKT1B	BTF1	KIT-DPEG-T1
SIBT2	DPST integral thermostat kit	TA2A	TA2A	TBD	BKT2B	BTF2	KIT-DPEG-T2	
SMALL WALL HEATER • with thermostat, see catalog if disconnect is required								
	ASSOH1501T2	1500 W 120 V double pole thermostat	GRF1500T2F	GRF1500T2F	---	WHF1215T2	---	CSC151T
	ASSOH1502T2	1500 W 240 V double pole thermostat	GRF2004T2F	GRF2004T2F	HF4815T2RP	WHF2415T2	---	CSC152T
	ASSOH2002T2	2000 W 240 V double pole thermostat	GRF2004T2F	GRF2004T2F	HF4820T2RP	WHF2420T2	---	CSC202T
	ARWF1501T	1500 W 120 V thermostat	SRA1512DSF / SED1512	CWH1151DSF / SED1512	E3215TRPW	W1215T	---	---
	ARWF1501T2	1500 W 120 V double pole thermostat	CZ1512T	CZ1512T	---	W1215T2	CSC151T	CSC151T
	ARWF1502T2	1500 W 240 V double pole thermostat	CZ1548T / SRA1527DSF	CZ1548T / CWH1207DSF	HF3215T2RPW	W2415T2	CSC152T	CSC152T
	ARWF2002T2	2000 W 240 V double pole thermostat	CZ2048T / SRA2024DSF / SED2024	CZ2048T / CWH1202DSF / SED2024	HF3220T2RPW	W2420T2	CSC202T	CSC202T
	RWFSAW	Surface mounting frame	SRAFCTPF / SEDSM	CWHSM / SEDSM	303EX32RW	WSC	---	---
LARGE WALL HEATER • with thermostat, see catalog if disconnect is required								
	AWF2002T	2000 W 240 V	FRA4024F	CWH3404F	HF3316T2RPW	EFW2440-MW-T	---	RFI820D31W
	AWF3002T	3000 W 240 V	FRA4027F	CWH3407F	HF3315T2RPW	EFW2440-MW-T	---	RFI830D31W
	AWF4002T	4000/2000 W 240 V	FRA4024F	CWH3404F	HF3316T2RPW	EFW2440-MW-T	---	RFI840D31W
	WFA1	Surface mounting frame	FRASM	CWH3SM	3310EX33R	UWSA	---	RFP8DW
KICK SPACE HEATER								
	ASKS1001BK	1000/500 W 120 V Black	QTS1100	QTS1100	TSH20J	KT1210	---	RKHA20D31MC
	ASKS1002BK	1000/500 W 240 V Black	QTS1104	QTS1104	TSH20J	KT2410	UC101W	RKHA20D31MC
	SKST2	Double pole thermostat kit for SKS	---	---	TSH2TX	TKIT-2	---	CKHATD23
PORTABLE GARAGE / WORKSHOP HEATERS • with thermostat								
	ASCH40T	4000 W 240 V	BRH402	BRH402	HF5840TC	PGH2440TB	---	DGWH4831LG
	ASCH48T	4800 W 240 V	BRH482	BRH482	HF5848TC	PGH2448TB	CGWH4031G	DCH4831LG
	SCH-WBB	Mounting bracket	---	---	---	EKB2450TB	---	---
GARAGE/SPACE UNIT HEATERS • with thermostat and mounting bracket								
	ARUH5TCHAR	5000 W 240 V	HUH524TA	MWUH5004	HF5605T	EKB2450TB	---	CUH05B31TG
UNIT HEATERS • with thermostat and mounting bracket								
	ASHU0521T	5 Kw 240 V 1PH	HUHAA524	MUH521	HF2B5105N	KB24051B1	---	---
			B10	B10	A5105W/B5100	KBB-1	---	---
			UHMT1	UHMT1	T5100	T	---	---
	ASHU0721CT	7.5 Kw 240 V 1 PH	HUHAA724	MUH72	HF2B5107CA1L	KB24071B2	---	EUH08B34CT
			B10	B10	A5120W/B5100	KBB-2	---	EUHWB
			UHMT1	UHMT1	T5100	T	---	INCLUDED
	ASHU1021CT	10 Kw 240 V 1 PH	HUHAA1024	MUH102	HF2B5110CA1L	KB24101B2	---	EUH10B34CT
			B10	B10	A5120W/B5100	KBB-2	---	EUHWB
UHMT1	UHMT1	T5100	T	---	INCLUDED			
RADIANT INFRARED								
	ASIRH1501WR	1500 W 240 V 120 V Weather resistant	---	---	---	RH SERIES	---	DIR15A10GR
	ASIRH2002WR	2000 W 240 V Weather resistant	VRP SERIES	FRP SERIES	---	RH SERIES	---	DIR22A10GR
	ASIRH4002WR	4000 W 240 V Weather resistant	VRP SERIES	FRP SERIES	---	RH SERIES	---	---
	ASIRH6002WR	6000 W 240 V Weather resistant	VRP SERIES	FRP SERIES	---	RH SERIES	---	---
	ASIRH2002W	2000 W 240 V Indoor standard duty	VRP SERIES	FRP SERIES	---	RH SERIES	---	DIR22A10GR
	ASIRH4002W	4000 W 240 V Indoor standard duty	VRP SERIES	FRP SERIES	---	RH SERIES	---	---
	SIRHC402-1	Control 4000/3300 W 240/208 V (silver)	---	---	---	---	---	INCLUDED

*Stelpro AB series: Add HA to model number for High Altitude. | Add suffix W for White and SW for Soft White (off white).

DESCRIPTION	STELPRO	BERKO	Q-MARK	TPI/MARKEL	KING	CADET	DIMPLEX
High-End Baseboard	ABA	CBD	CBD	---	---	---	---
Compact High End Baseboard	ASPR	---	---	---	---	---	LC
Baseboard	AB	2500	2500	2900	K	F	DPEG
Electronic Convector	AMIR	---	---	---	---	---	---
Electronic Convector	ASHC	ECP NO T'STAT	ECP NO T'STAT	---	---	---	DTX
Bathroom Fan Heater	ASOA	---	---	---	---	---	PCH
Wall Fan Heater	ASSOS	---	---	---	PX ECO2S	CE	---
Wall Fan Heater	ASSO	CZ	CZ	---	W	CS/CB	---
Wall Fan Heater	ASSOH	GFR	GFR	4800	WHF	RM	---
Res Wall Fan Heater	ARWF	SRA/SED	CWH/SED	4300/3200/HF	WHF/W	---	---
Cove Heater	SCR	RCC	RCC	CV/CVX	KCV	---	---
Kick Space Heater	ASKS	QTS	QTS	TSH	KT	UC	CKH
Ceiling Fan Heater	ASK	QCH	QCH	3000	WHFC	---	---
Ceiling Fan Heater	ADR	FFCH	CDF	3470/3480	KDS	---	CMH
Multipurpose Portable Heater	ASCH	BRH	BRH	ICH/5800	PGH	CGWH	DCH/EMC
Mini Aluminum Architectural Baseboard	AALUX1	CSL	DSH	---	LB	---	---
Mini Aluminum Architectural Baseboard	AALUX2	ASLC	DBA/SLQBD	9100	---	---	---
Aluminum Architectural Baseboard	AALUX3	SL3/5	DBSL	DBF/DBT	SB	---	---
Aluminum Architectural Baseboard	AALUX4	ASL5	SHA	DBCT/DBCF	---	---	---
Aluminum Draft Barrier	DBI	ASL3	DBA	9100	---	---	---
Aluminum Wall Fan Heater	AWFA	FRC	AWH	3420	---	---	---
Wall Fan Heater	AWF	VFK/FRA	CWH/LFK	3310/3320	EFW/LPW	NLW	RFI
Cabinet Heater	ACBH	CUHS900	CUS900	6300	KCF	---	---
Ceiling Fan Heater	ACF	QFF	EFF	3380	LPWC	---	RFI
Commercial & Residential Unit Heater	ARUH	HUH524TA	MWUH5004	HF5605T	EKB	---	CUH05B31T
Commercial & Industrial Unit Heater	ASHU	HUH/HUHAA	IUH/MUH	5100	KB	---	EUH
Washdown Unit Heater	SWU	BWD	QWD	5500	KBS	---	---
Infrared Radiant Heater	ASIRH	VRP/VRS	FRP/FRS	TH/THSS	TW	---	---
Explosion-Proof Unit Heater	X-PRO - EU	RUX	GUX	HLA	FX5	---	---
Explosion-Proof Convector	X-PRO - EC	SCG	ICG	FEP	CX1	---	---
Universal Heating Cable	SCU	---	---	---	FC	---	---
Heating Cable On Lattice For Concrete	SECM	---	---	---	TCM	---	---
Snow Melting System	SSC/SSCM	---	---	---	SC/SCM	---	---
Pipe Freeze Protection Heating Cable (CW)	SCPT	---	---	---	CWP	---	---
Roof And Gutter De-Icing Heating Cable (CW)	SCRG	---	---	---	CWR	---	---
Freeze Protection Preassembled Cable (SR)	SSFP	---	---	---	SRP	---	---
Freeze Protection Cable Reel (SR)	SSFR	---	---	---	SR	---	---

Note: Cross reference from one manufacturer to another is approximate as all manufacturers have different components, design characteristics, etc.
SR = Self-Regulating CW = Constant Wattage

AMPERES = $\frac{\text{VOLTS}}{\text{OHMS}}$

AMPERES = $\frac{\text{WATTS}}{\text{VOLTS}}$

AMPERES = $\sqrt{\frac{\text{WATTS}}{\text{OHMS}}}$

WATTS = $\text{VOLTS} \times \text{AMPERES}$

WATTS = $\text{AMPERES}^2 \times \text{OHMS}$

WATTS = $\frac{\text{VOLTS}^2}{\text{OHMS}}$

VOLTS = $\sqrt{\text{WATTS} \times \text{OHMS}}$

VOLTS = $\frac{\text{WATTS}}{\text{AMPERES}}$

VOLTS = $\text{AMPERES} \times \text{OHMS}$

OHM = $\frac{\text{VOLTS}}{\text{AMPERES}}$

OHM = $\frac{\text{WATTS}}{\text{AMPERES}^2}$

OHM = $\frac{\text{VOLTS}^2}{\text{WATTS}}$

The relationship between wattage (heat) output and the applied voltage of electric resistance heating elements is determined by a precise physical rule defined as OHM's Law which states that the current in a resistance heating element is directly proportional to the applied voltage. OHM's Law is traditionally expressed as:

$I = \frac{V}{R}$ I = amperes (current)
V = voltage
R = OHMS (resistance)

ARE 120 V AND 240 V HEATERS INTERCHANGEABLE?

A 240 V heater run at 120 V will produce 1/4 of the rated wattage. A 120 V heater run at 240 V will be destroyed and could cause fire damage to the building.

IF I KNOW THE BTU'S REQUIRED, HOW DO I CALCULATE THE WATTS REQUIRED?

Watts = BTU/3.412 (1 watt = 3.41 BTU)

USEFUL FORMULAS

AIRFLOW	$D = V \times A$
	$D = \text{AIRFLOW CFM (M}^3/\text{S)}$
	$V = \text{VELOCITY FPM (M/S)}$
	$A = \text{AREA, SQ.FT (M}^2\text{)}$
TRANSFER OF HEAT	$KW = (1.08 \times \Delta T (^{\circ}\text{F}) \times D (\text{CFM})) / 3412$
IMPERIAL	$Q (\text{BTU/H}) = 1.08 \times D (\text{CFM}) \times \Delta T (^{\circ}\text{F})$
METRIC	$Q (\text{W}) = 1.23 \times D (\text{L/S}) \times \Delta T (^{\circ}\text{C})$
AMPERAGE	1 PHASE: $L (\text{AMPERES}) = \text{WATTAGE (W)} / \text{VOLTAGE (V)}$
	3 PHASES: $L (\text{AMPERES}) = \text{WATTAGE (W)} / \text{VOLTAGE (V)} = X / 1.73$
TEMPERATURE CONVERSION	$^{\circ}\text{F} = (^{\circ}\text{C} \times 1.8) + 32$
	$^{\circ}\text{C} = (^{\circ}\text{F} - 32) / 1.8$
	$\Delta T (^{\circ}\text{F}) = \Delta T (^{\circ}\text{C}) \times 1.8$
	$\Delta T (^{\circ}\text{C}) = \Delta T (^{\circ}\text{F}) / 1.8$
AIRFLOW CONVERSION	1 CFM = 0.47 L/S
	1 L/S = 2.12 CFM
	1 M ³ /S = 1000 L/S
POWER CONVERSION	1 KW = 3412 BTU/H
	1 BTU/H = 0.0002928 KW

CERTIFICATIONS

Stelpro products are manufactured to meet all safety and performance standards required for CSA certification for sale and installation in Canada.

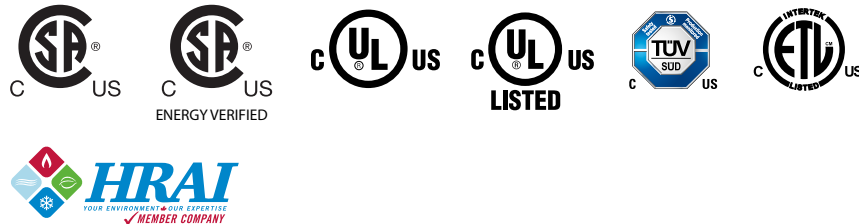
All products in this catalogue are approved by either CSA, UL or ETL certified laboratories, which certify products to applicable safety or performance standards.

Moreover, our products are manufactured to meet at least one of the two required standards for North America: UL for the United States and CSA for Canada. As a result, products are labelled cCSAus, cULus or cETLus for both Canada and USA, or CSA, cUL or cETL for Canada only.

SAFETY STANDARDS



CERTIFICATIONS



MERCHANDISE RETURNS

Authorization requests for merchandise can be submitted via our new website at www.stelpro/rma or by email. To request a return via our website, please fill out the web form. For email requests, send your request to rma@stelpro.com including the order number and the reason for the return. In either case a return merchandise authorization number (RMA) will be sent to you. The authorization number must be indicated clearly on all packages of returned merchandise. Merchandise must be packaged properly so that it is returned to us in excellent condition. The sender is responsible for all shipping costs.

Charges apply on all returns. A product cannot be returned if it meets one or more of the following criteria: special colour, custom product, assembly with low-demand options, etc.

WARRANTY POLICY

STELPRO WARRANTS ITS PRODUCTS AGAINST DEFECTS IN MATERIAL AND WORKMANSHIP FOR A MINIMUM PERIOD OF ONE YEAR FOLLOWING THE DATE OF PURCHASE.

This warranty does not apply to damages resulting from misuse, abuse, improper installation, field alteration or accidents of any kind. Stelpro will not guarantee nor be held responsible for damages resulting from products that have been modified. Stelpro's responsibility is limited to the repair and/or replacement of parts deemed to be defective. Additional installation and/or transportation costs are not covered under the terms of this warranty. For individual extended warranties, please refer to the product's page.

CATEGORIES INDEX

AIR CURTAIN

ASDC 76

BASEBOARDS

AALUX1 | ALUX 46
 AALUX2 | ALUX 49
 AALUX3 | ALUX 52
 AALUX4 | ALUX 55
 AB | BRAVA 20
 ABA | BELLA 14
 ASPR | PRIMA 17
 DBI 58

CABINET

ACBH 68

CONTROL PANELS

PYROBOX 106

CONVECTORS

AMIR – MIRAGE 10
 ASHC 12

DUCT HEATERS

SB 154
 SDHR 152
 SDHX, SDHXT 146

FAN HEATERS

ACF 72
 ADR – DRAGON 40
 ARWF – PULSAIR 32
 ASK – AIR CURTAIN 38
 ASKS 36
 ASOA – OASIS 24
 ASSOH – SONOMA HORIZON 30
 ASSO – SONOMA 28
 ASSOS – SONOMA STYLE 26
 AWF 64
 AWFA – ALUX 61

FURNACE

SFEX, SFECM – THE FURNACE 142

HAND DRYERS

ELN – EL-NIÑO 162
 SHDXL – XLERATOR 165

HEATING CABLES

SCPT 108
 SCRG 110
 SCU 100
 SECM 102
 SSC, SSCM 104
 SSFP 112
 SSFR 114

LOAD CONTROLER

SALC0503ZB – ALLIA 119

MAKE-UP AIR UNIT

MUAA 156

RADIANT HEATERS

ASIRH – ZENITH 86
 SCR – RADIANCE 34

RELAYS

R841 137
 RE15 135
 RE25, RE30 134
 RM 136

THERMOSTATS, ACCESSORIES

F29 139
 FD60M 140
 TG511A1000 138

THERMOSTATS, ELECTRONIC

ST252NP 123
 ST252NPFF 125
 ST302P 122
 ST402PFF 124
 STE302R2+ 128
 STE403NP 121
 TH140-28-01-B 130

THERMOSTATS, HEATING CABLES

STCNP 127
 STCP 126

THERMOSTATS, LOW VOLTAGE / 24 V

STE241 129
 T87K1007/U 133
 T822K1018/U 132

THERMOSTATS, MECHANICAL

SWT 131

THERMOSTATS, SMART

ASAT402ZB 118
 ASMT402AD | MAESTRO 118
 STZW402 | KI Z-WAVE 120

UNIT HEATERS

ARUH – OXFORD 78
 ASCH 44
 ASHU – OXFORD 80
 EC – X-PRO 94
 EU – X-PRO 91
 SFH, SFHGX – OXFORD 84
 SWU 88

VENTILATION CABINET

SCV 159

**RESIDENTIAL, COMMERCIAL
AND INDUSTRIAL HEATING**

HEATING CABLES

THERMOSTATS

HAND DRYERS



Designing the future of comfort



Platinum
member

1041 Parent street, Saint-Bruno-de-Montarville, Qc, J3V 6L7, Canada



SEPTEMBER 2022 PRICES

WEB VERSION ONLY

MADE IN CANADA